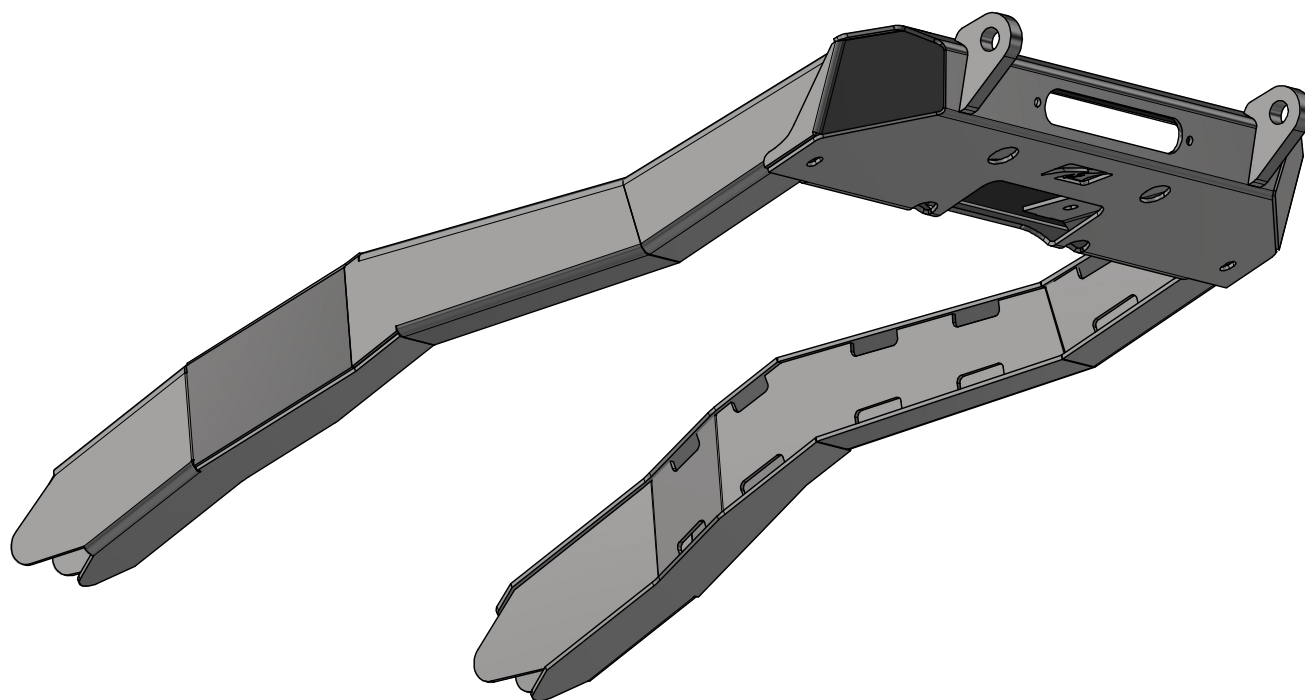
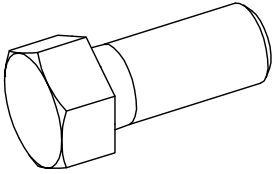


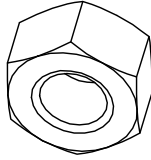
TJ/LJ/YJ FRONT HALF FRAME KIT



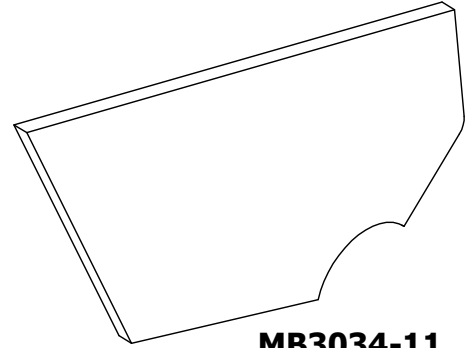
ASSEMBLY INSTRUCTIONS

MB3034 - Assembly Instructions TJ/LJ/YJ Front Half Kit**KIT COMPONENTS**

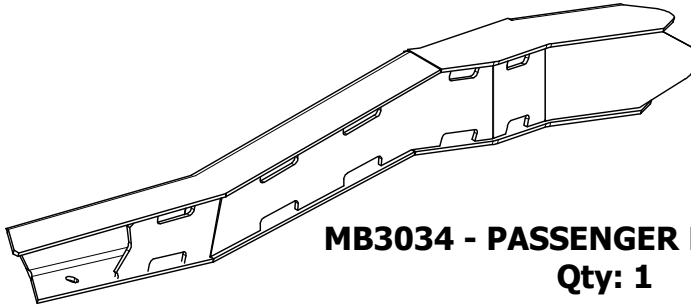
HEX BOLT
7/16"-14 x 1" GR8
Qty: 2



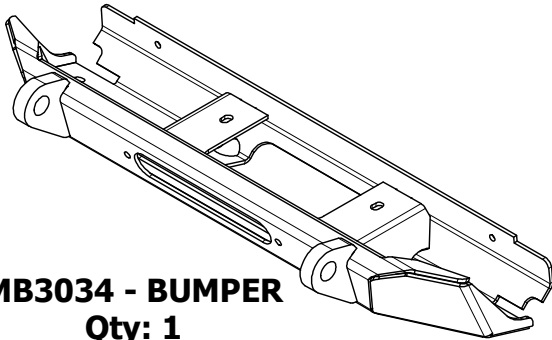
NYLOCK NUT
7/16"-14
Qty: 2



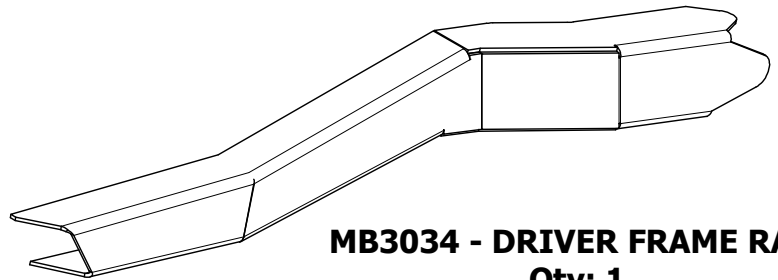
MB3034-11
SIDE PLATE
Qty: 2



MB3034 - PASSENGER FRAME RAIL
Qty: 1



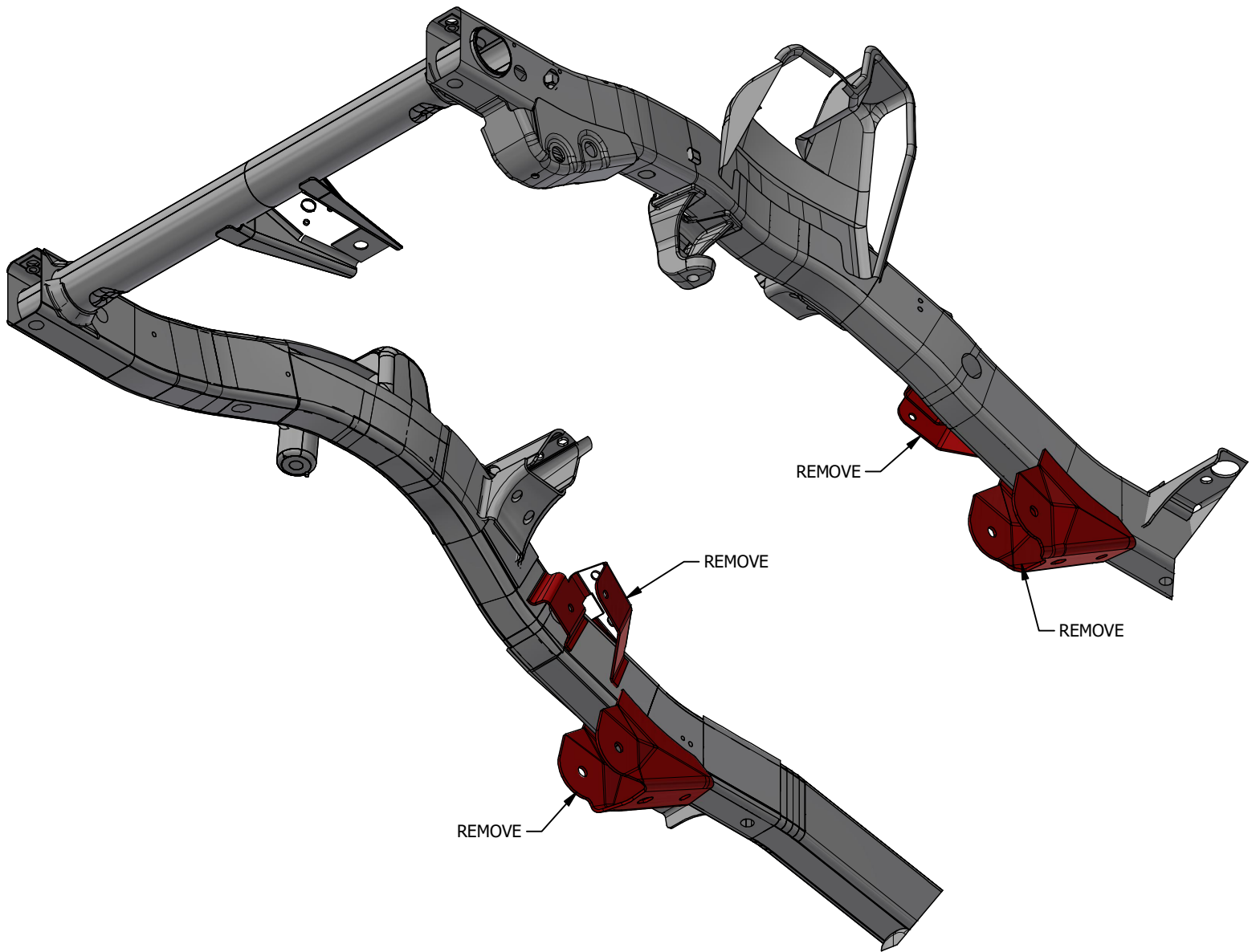
MB3034 - BUMPER
Qty: 1

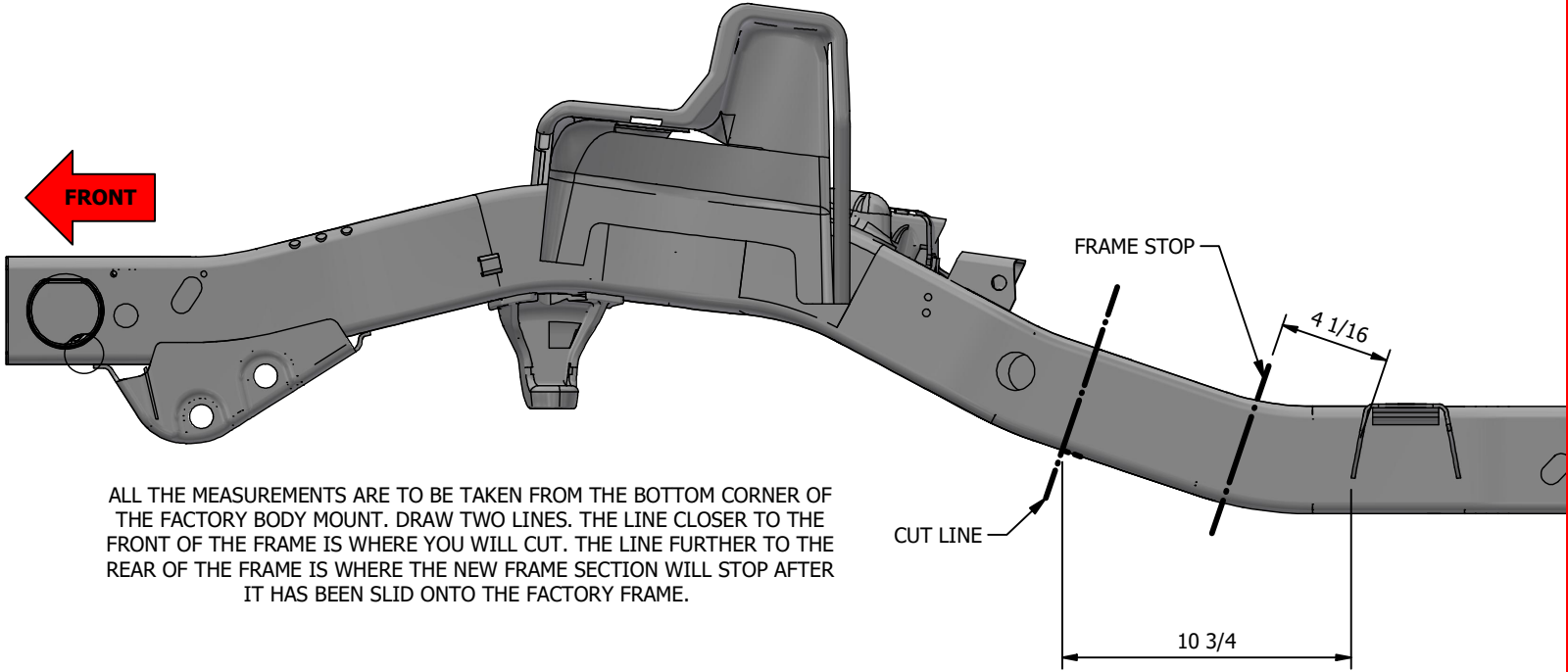


MB3034 - DRIVER FRAME RAIL
Qty: 1

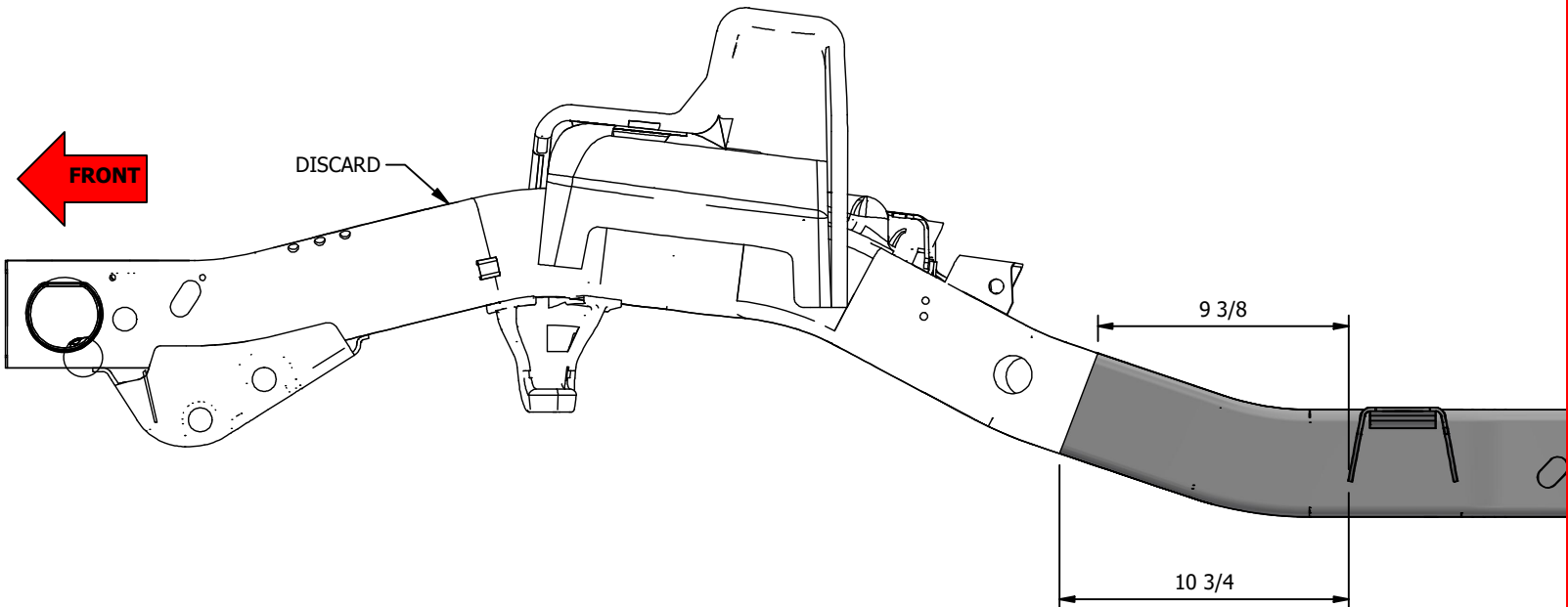
MB3034 - Assembly Instructions TJ/LJ/YJ Front Half Kit**TJ/LJ FRAME MODIFICATION**

REMOVE THE FRONT UPPER AND LOWER CONTROL ARM MOUNTS HIGHLIGHTED IN RED. ONCE THE MOUNTS ARE REMOVED, GRIND THE FRAME SMOOTH.



MB3034 - Assembly Instructions TJ/LJ/YJ Front Half Kit**TJ/LJ FRAME MODIFICATION****TJ/LJ FRAME UNMODIFIED****CONFIRM FRAME IS
LEVEL**

ALL THE MEASUREMENTS ARE TO BE TAKEN FROM THE BOTTOM CORNER OF THE FACTORY BODY MOUNT. DRAW TWO LINES. THE LINE CLOSER TO THE FRONT OF THE FRAME IS WHERE YOU WILL CUT. THE LINE FURTHER TO THE REAR OF THE FRAME IS WHERE THE NEW FRAME SECTION WILL STOP AFTER IT HAS BEEN SLID ONTO THE FACTORY FRAME.

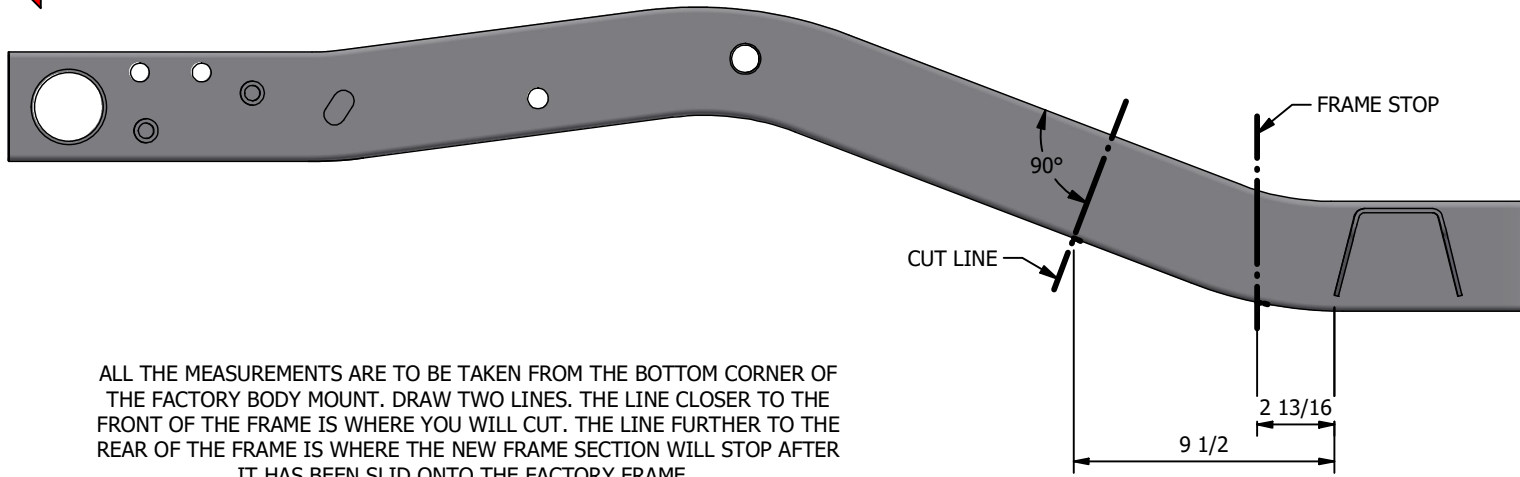
TJ/LJ FRAME MODIFIED

MB3034 - Assembly Instructions TJ/LJ/YJ Front Half Kit

YJ FRAME MODIFICATION

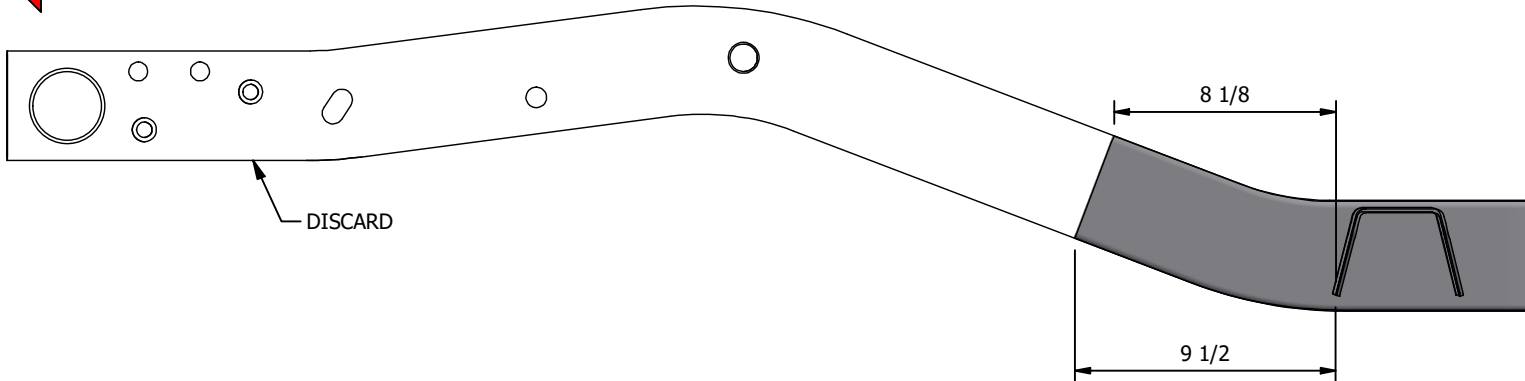
TJ/LJ FRAME UNMODIFIED

CONFIRM FRAME IS LEVEL



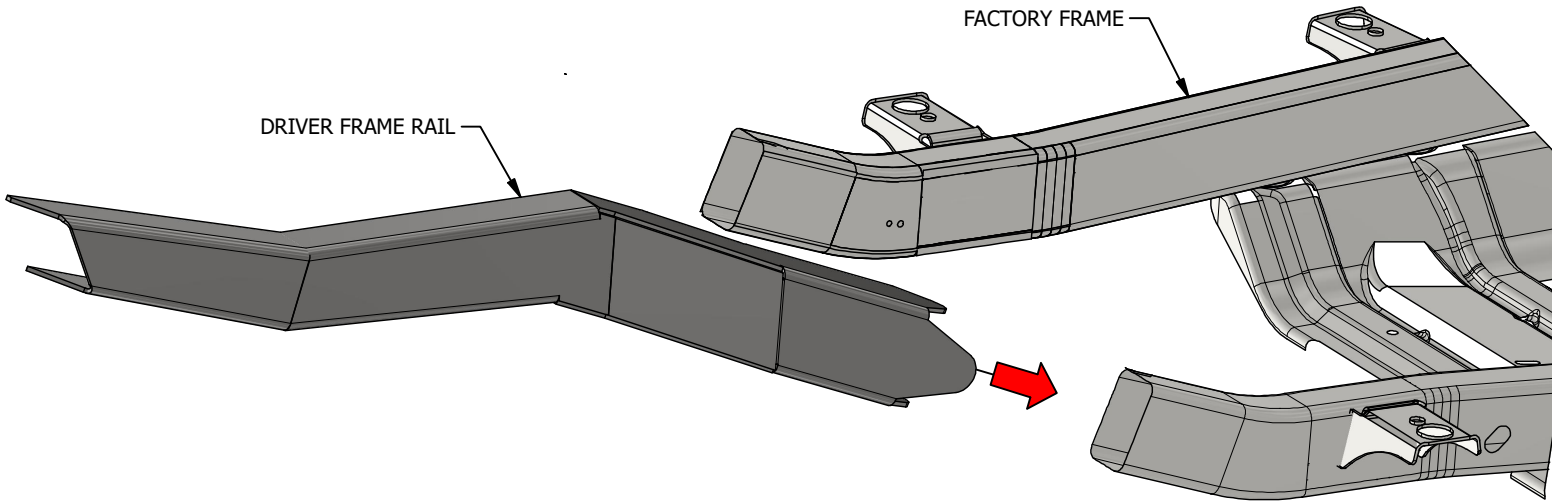
ALL THE MEASUREMENTS ARE TO BE TAKEN FROM THE BOTTOM CORNER OF THE FACTORY BODY MOUNT. DRAW TWO LINES. THE LINE CLOSER TO THE FRONT OF THE FRAME IS WHERE YOU WILL CUT. THE LINE FURTHER TO THE REAR OF THE FRAME IS WHERE THE NEW FRAME SECTION WILL STOP AFTER IT HAS BEEN SLID ONTO THE FACTORY FRAME.

YJ FRAME MODIFIED

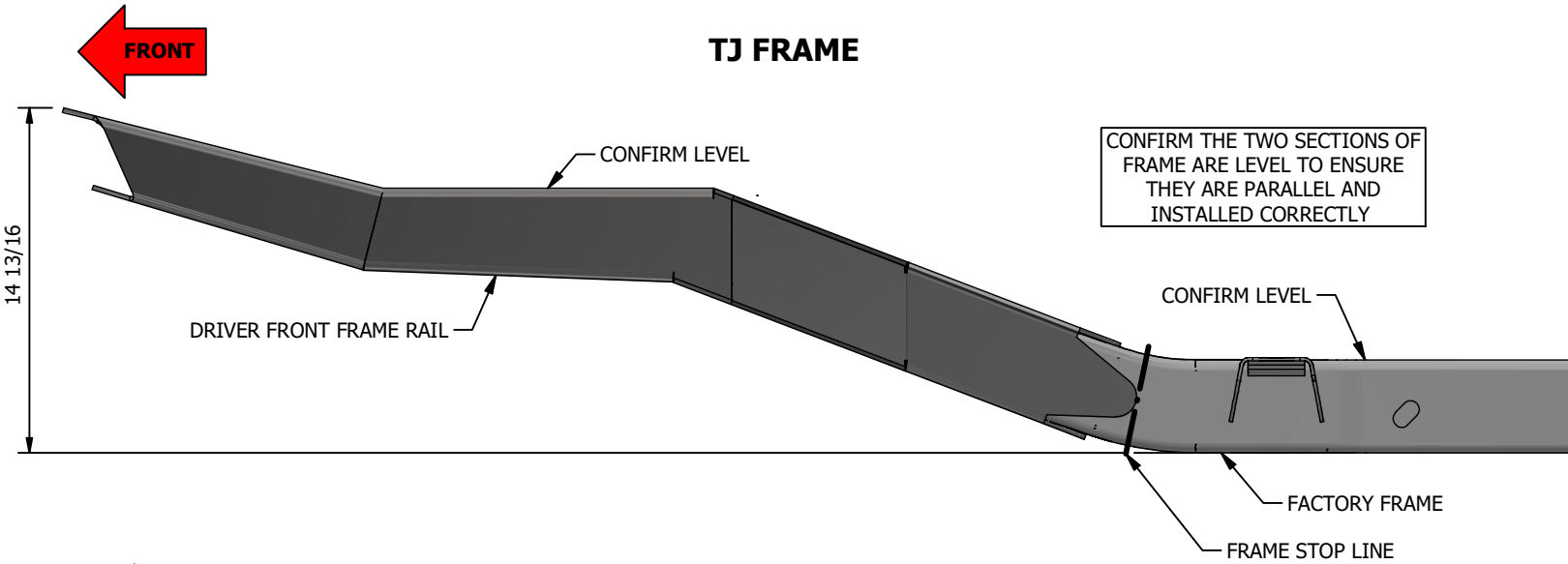


MB3034 - Assembly Instructions TJ/LJ/YJ Front Half Kit

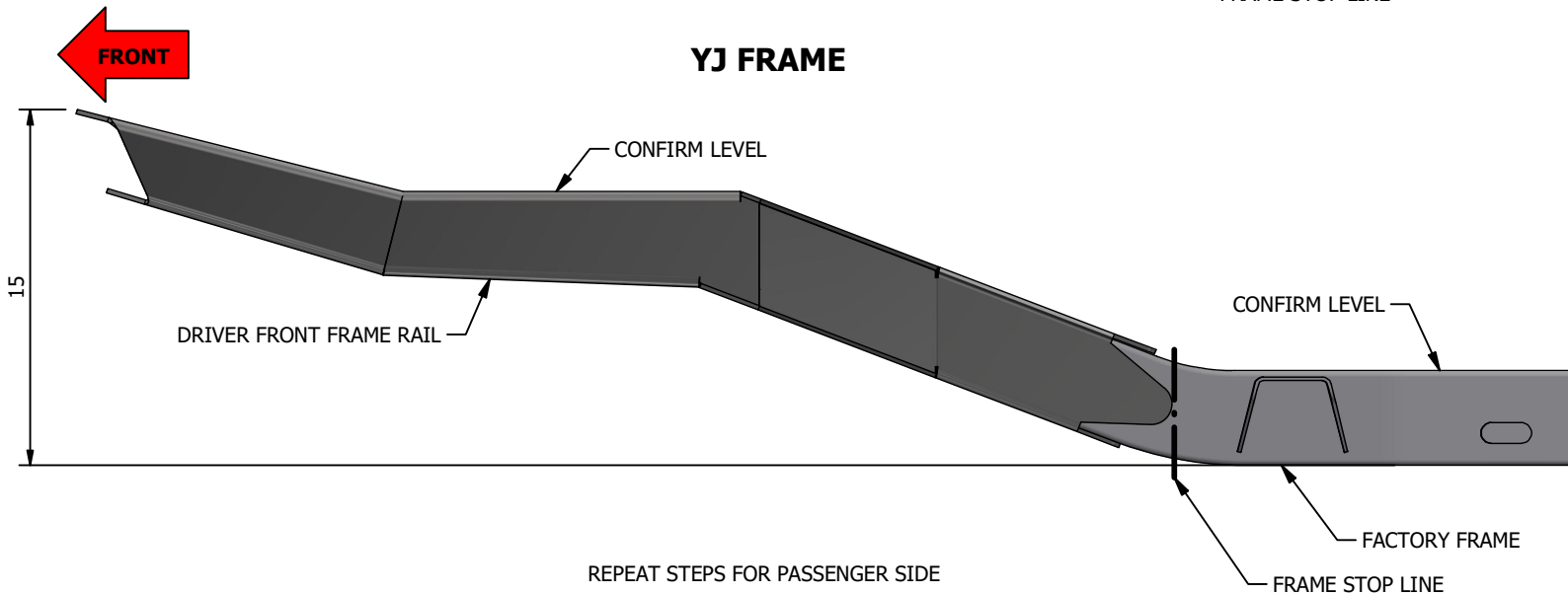
FRAME RAIL



TJ FRAME



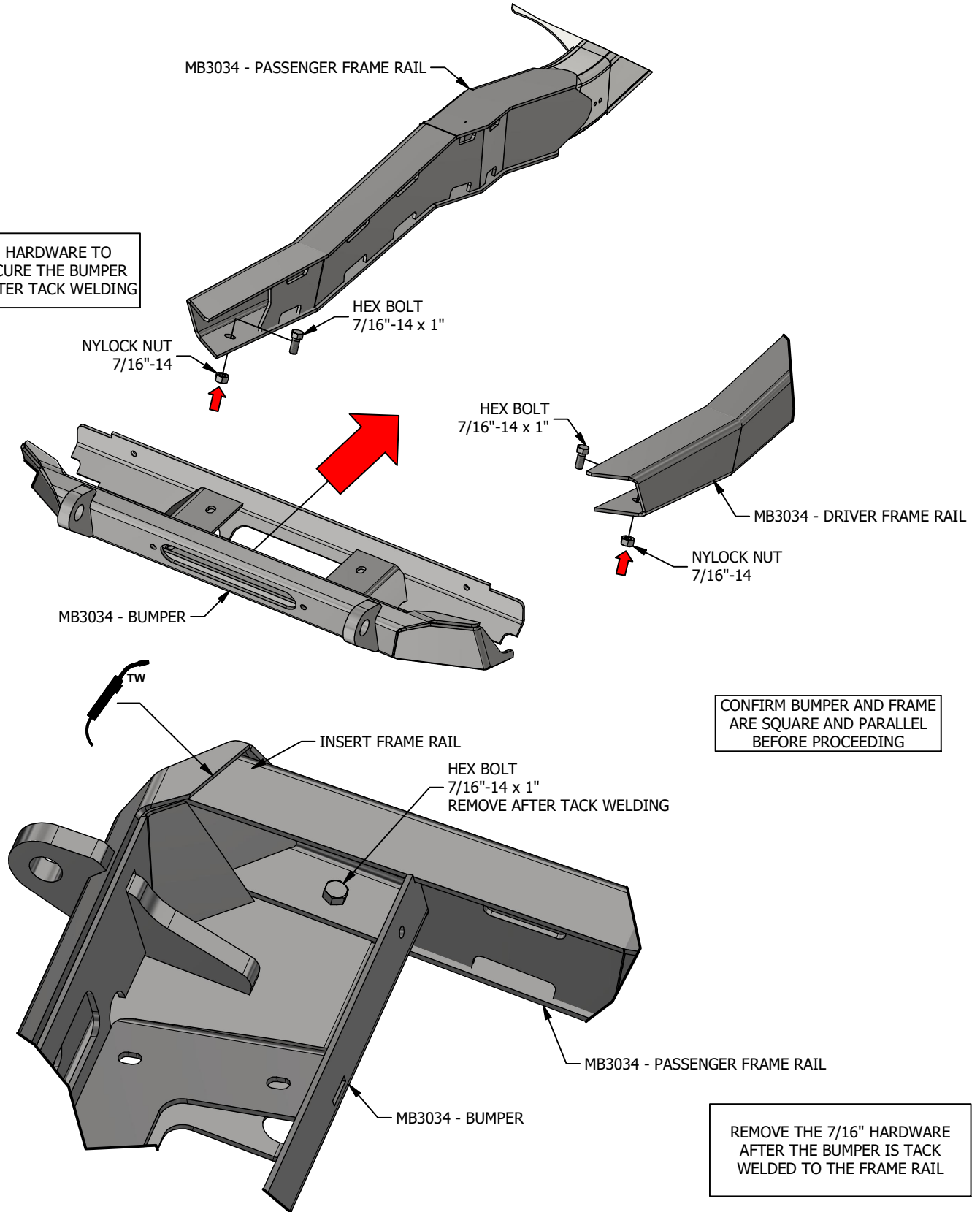
YJ FRAME



MB3034 - Assembly Instructions TJ/LJ/YJ Front Half Kit

BUMPER INSTALL

USE THE 7/16" HARDWARE TO LOCATE AND SECURE THE BUMPER THEN REMOVE AFTER TACK WELDING

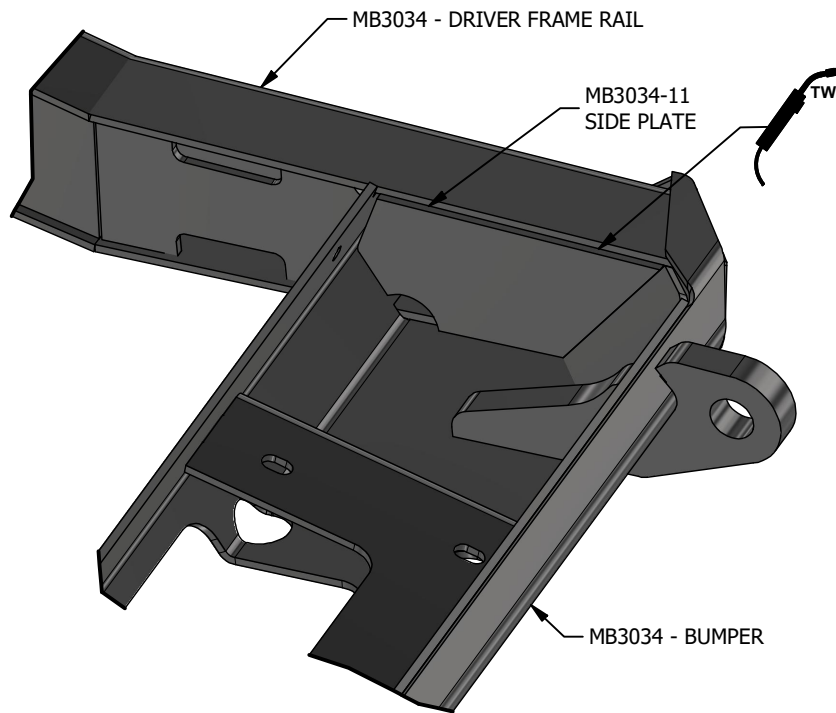
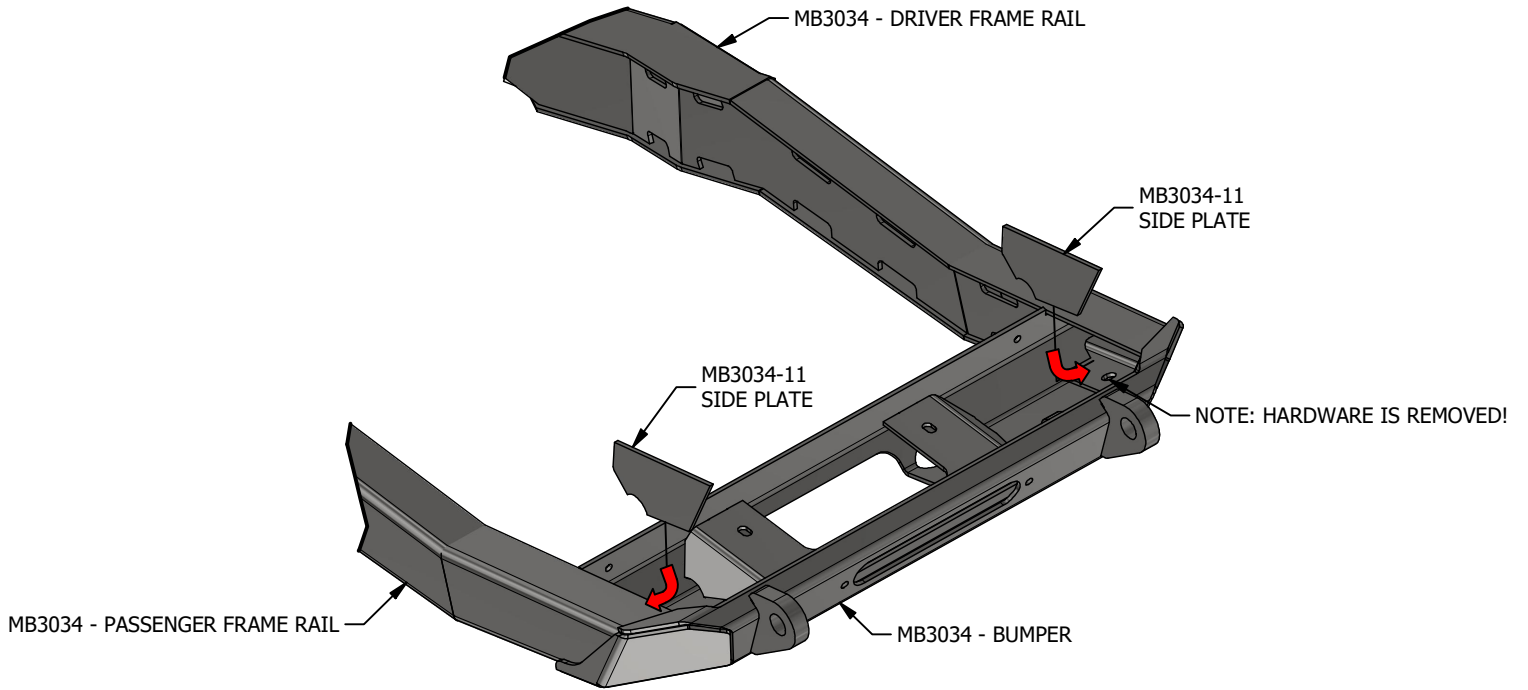


CONFIRM BUMPER AND FRAME ARE SQUARE AND PARALLEL BEFORE PROCEEDING

REMOVE THE 7/16" HARDWARE AFTER THE BUMPER IS TACK WELDED TO THE FRAME RAIL

MB3034 - Assembly Instructions TJ/LJ/YJ Front Half Kit

BUMPER SIDE PLATE INSTALL



MB3034 - Assembly Instructions TJ/LJ/YJ Front Half Kit

FINISH WELD

