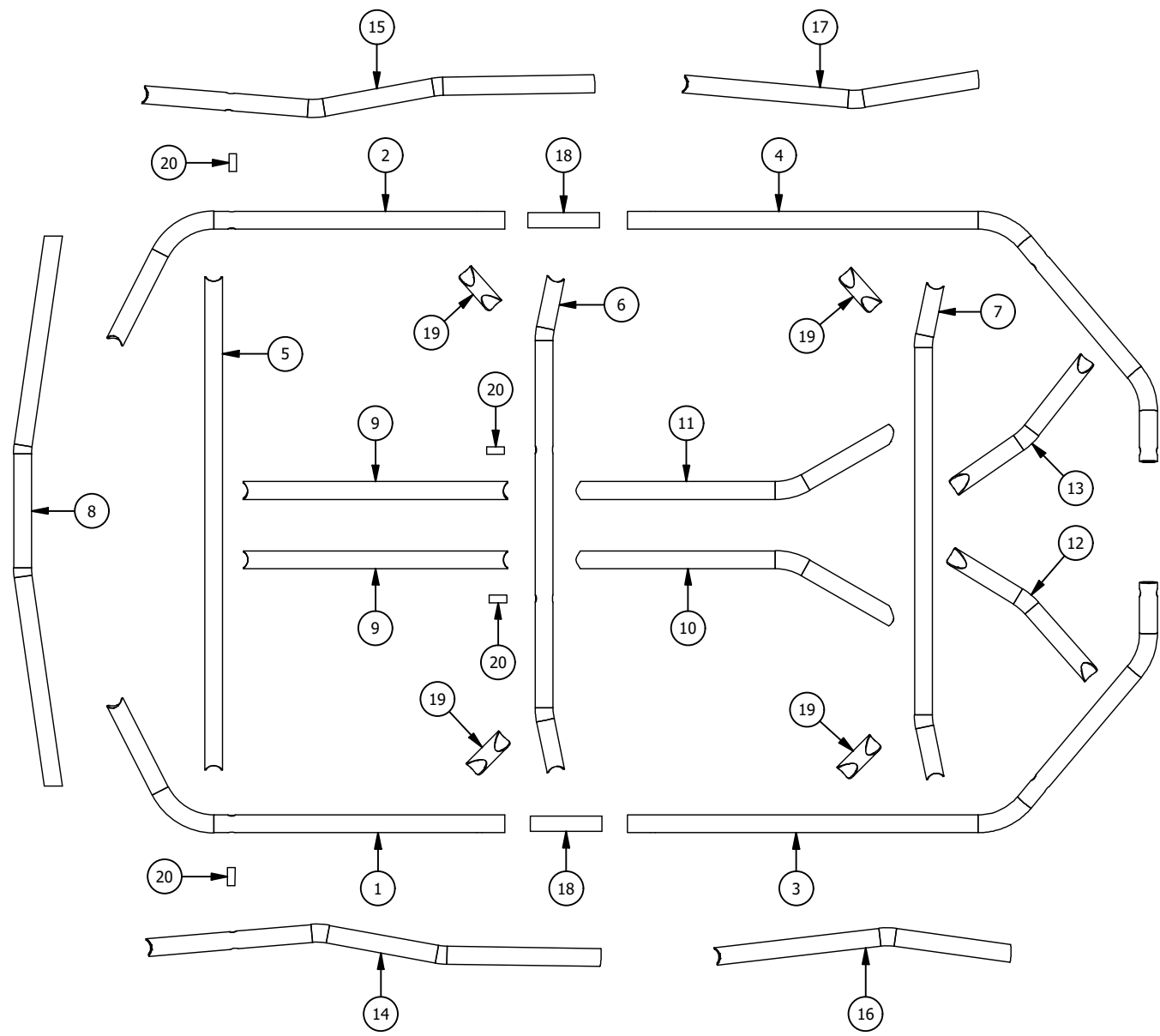


PARTS LIST			
ITEM	QTY	PART NUMBER	DESCRIPTION
1	1	MB3033-Tube 01	Tube 01
2	1	MB3033-Tube 02	Tube 02
3	1	MB3033-Tube 03	Tube 03
4	1	MB3033-Tube 04	Tube 04
5	1	MB3033-Tube 05	Tube 05
6	1	MB3033-Tube 06	Tube 06
7	1	MB3033-Tube 07	Tube 07
8	1	MB3033-Tube 08	Tube 08
9	2	MB3033-Tube 09	Tube 09
10	1	MB3033-Tube 10	Tube 10
11	1	MB3033-Tube 11	Tube 11
12	1	MB3033-Tube 12	Tube 12
13	1	MB3033-Tube 13	Tube 13
14	1	MB3033-Tube 14	Tube 14
15	1	MB3033-Tube 15	Tube 15
16	1	MB3033-Tube 16	Tube 16
17	1	MB3033-Tube 17	Tube 17
18	2	MB3033-Tube 18	Tube 18
19	4	MB3033-Tube 19	Tube 19
20	4	MB3033-Tube 20	Tube 20

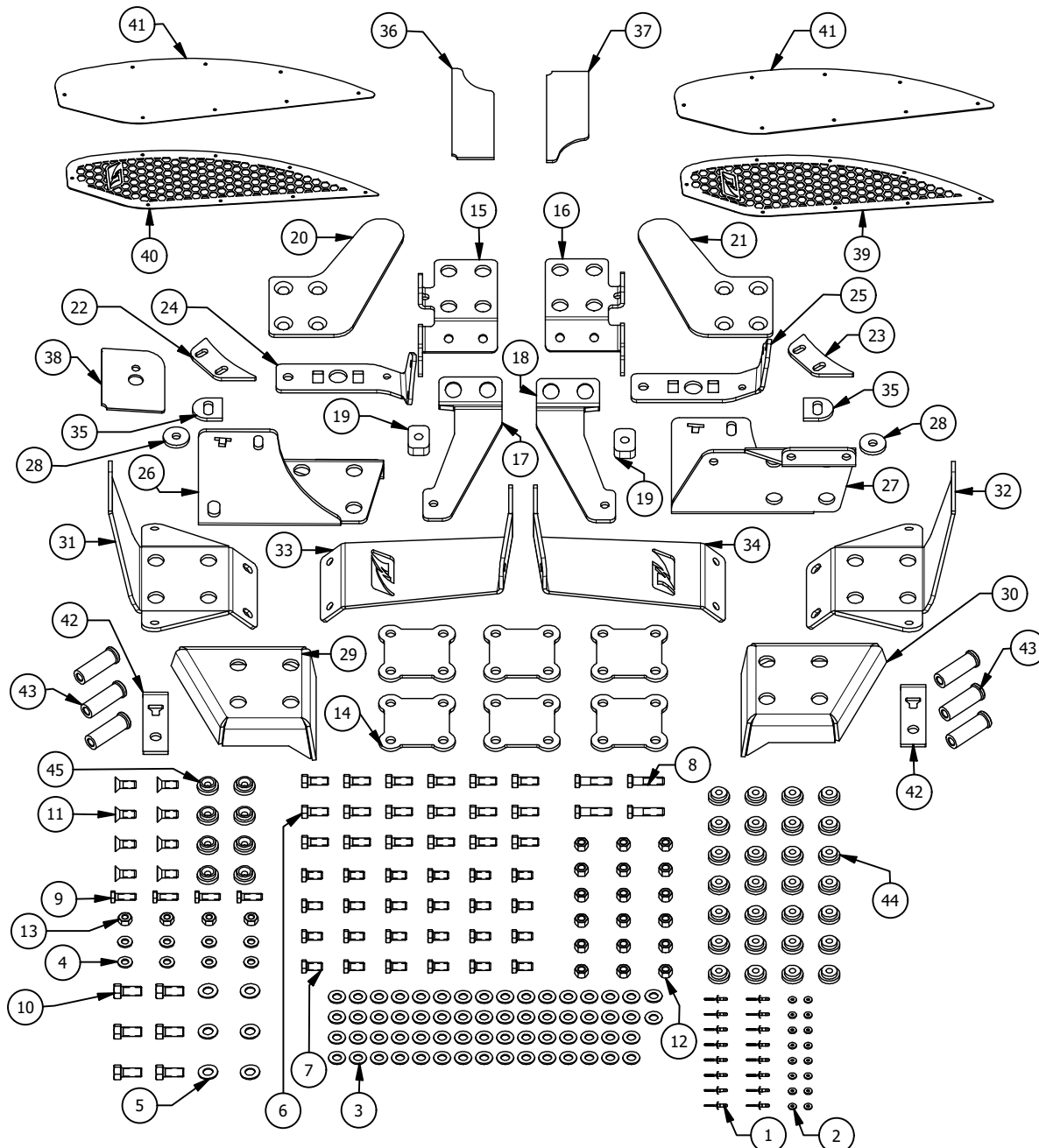


Dwg/Part No:
MB3033 - Shipping
 Description:
Knock Down Tube Kit Contents

Sheet No: **1** of **2**
 Rev No: **0**

Mat'l:

PARTS LIST			
ITEM	QTY	PART NUMBER	DESCRIPTION
1	16	Dash Rivet 1/8 x 0.389	
2	16	Dash Rivet Washer 1/8	
3	62	Flat Washer, 3/8"	
4	8	Flat Washer, 5/16"	
5	6	Flat Washer, 7/16"	
6	18	Hex Bolt, 3/8"-16 UNC x 1.0"	
7	24	Hex Bolt, 3/8-16 UNC X 0.75"	
8	4	Hex Bolt, 3/8-16 UNC x 1.5"	
9	4	Hex Bolt, 5/16-18 UNC x 1"	
10	6	Hex Bolt, 7-16"-20 UNF x 1.0"	
11	8	Hex Countersunk, 3/8"-16 UNC x 1.0"	
12	18	Hex Nylock Nut, 3/8" - 16	
13	4	Hex Nylock Nut, 5/16" - 18	
14	6	MB3022	Pillar Base Plate
15	1	MB3032-01	Plate 01
16	1	MB3032-01_MIR	Plate 01_MIR
17	1	MB3032-02	Plate 02
18	1	MB3032-02_MIR	Plate 02_MIR
19	2	MB3032-03	Plate 03
20	1	MB3032-04	Plate 04
21	1	MB3032-04_MIR	Plate 04_MIR
22	1	MB3032-05A ver 2	Plate 05A
23	1	MB3032-05A ver 2_MIR	Plate 05A_MIR
24	1	MB3032-05B	Plate 05B
25	1	MB3032-05B_MIR	Plate 05B_MIR
26	1	MB3032-06	Plate 06
27	1	MB3032-06_MIR	Plate 06_MIR
28	2	MB3032-07	Plate 07
29	1	MB3032-08	Plate 08
30	1	MB3032-08_MIR	Plate 08_MIR
31	1	MB3032-09	Plate 09
32	1	MB3032-09_MIR	Plate 09_MIR
33	1	MB3032-10	Plate 10
34	1	MB3032-10_MIR	Plate 10_MIR
35	2	MB3032-11	Plate 11
36	1	MB3032-12	Plate 12
37	1	MB3032-12_MIR	Plate 12_MIR
38	1	MB3032-13	Plate 13
39	1	MB3032-14	Plate 14
40	1	MB3032-14_MIR	Plate 14_MIR
41	2	MB3032-15	Plate 15
42	2	MB3036	Seat Belt Mount
43	6	MB5514	Seat Belt Bung
44	28	Weld Nut 0.375 UNC	Weld Nut
45	8	Weld Nut 0.375 UNC w/ Countersink	Weld Nut Countersink



Dwg/Part No:

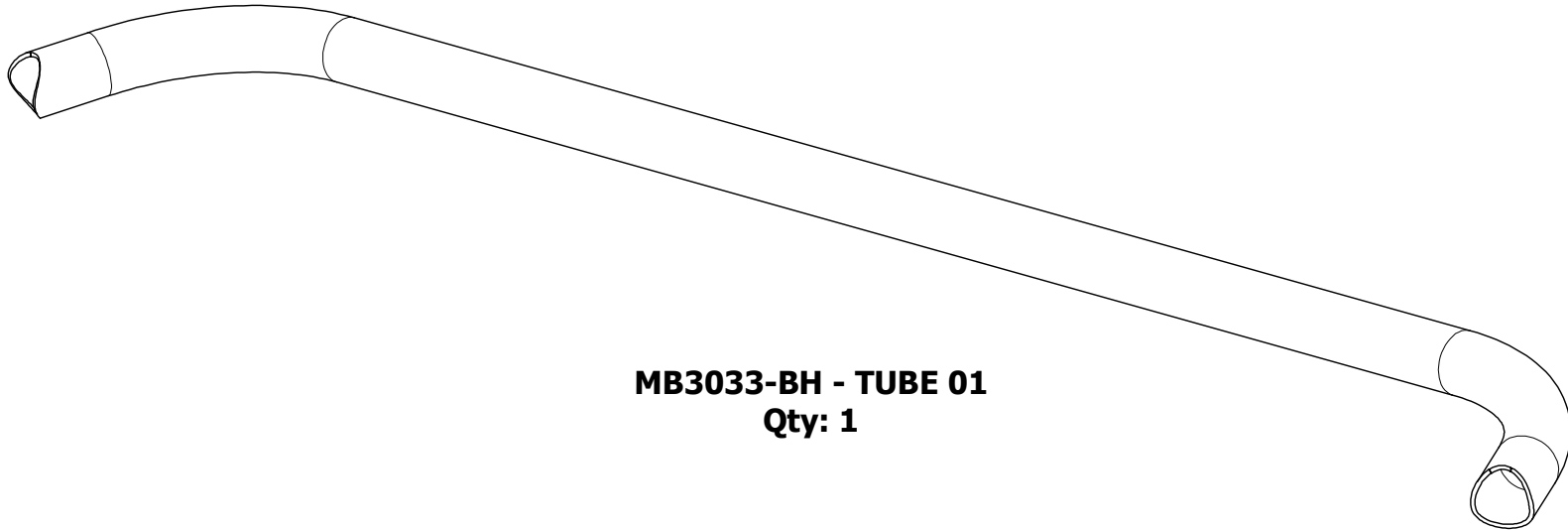
MB3032 KnockDown - Shipping

Description:

Jeep JKU Roll Cage Plate Kit

Sheet No: 2 of 2

Rev No: 0



MB3033-BH - TUBE 01
Qty: 1



Dwg/Part No:

MB3033-BH - Shipping

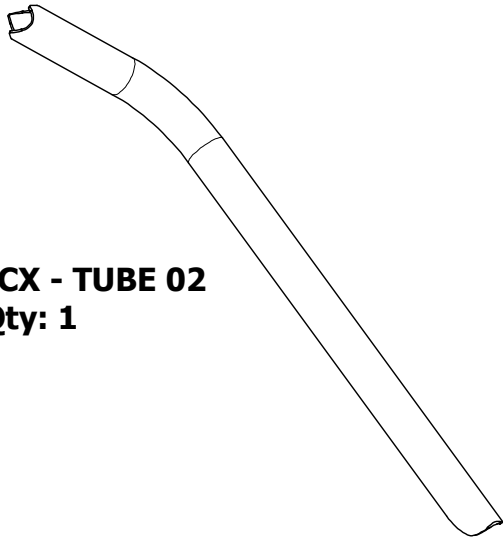
Description:

JK Cage B-Pillar Harness Bar Option

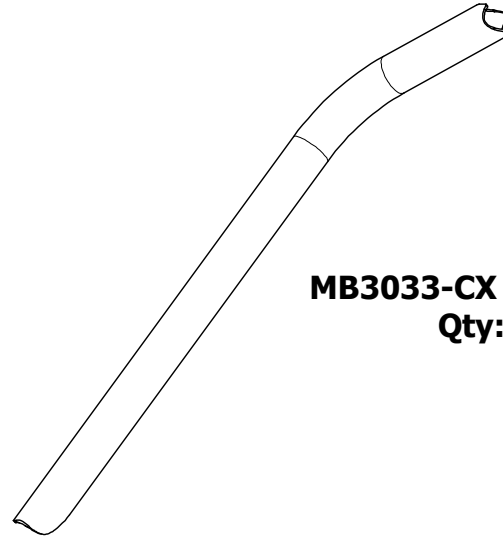
Sheet No: **1** of **1**

Rev No: **0**

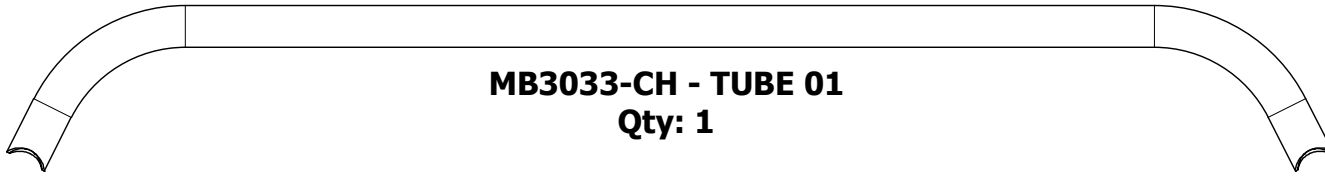
Mat'l:



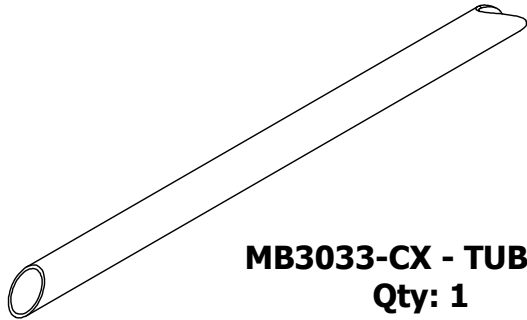
MB3033-CX - TUBE 02
Qty: 1



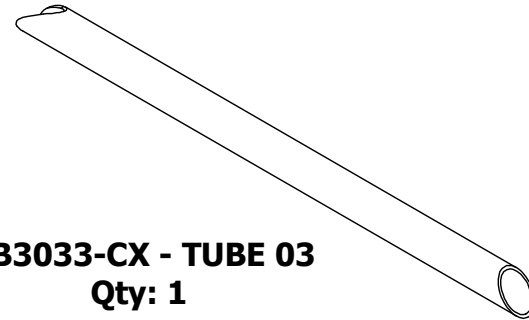
MB3033-CX - TUBE 01
Qty: 1



MB3033-CH - TUBE 01
Qty: 1



MB3033-CX - TUBE 04
Qty: 1



MB3033-CX - TUBE 03
Qty: 1



Dwg/Part No:

MB3033-CXH - Shipping

Description:

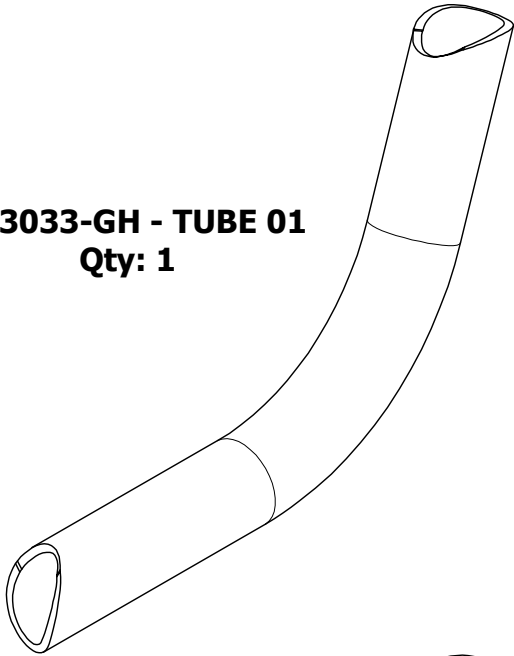
JKU Cage C-Pillar Harness & X Bar Option

Sheet No: **1** of **1**

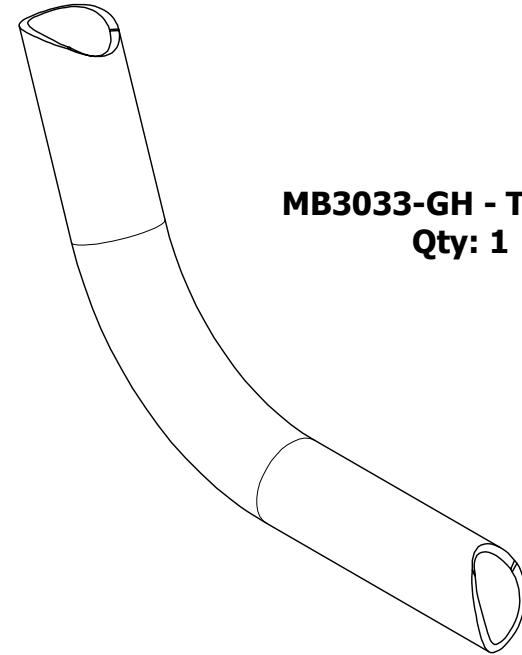
Rev No: **0**

Mat'l:

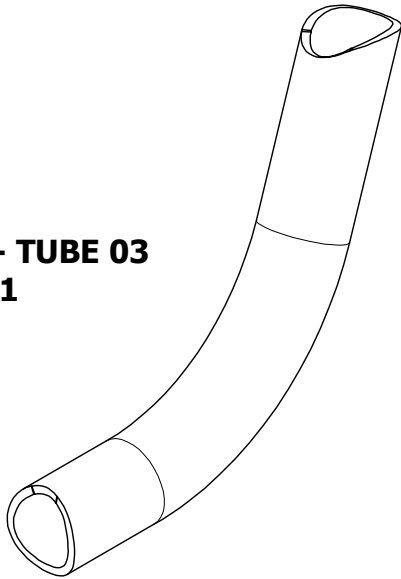
MB3033-GH - TUBE 01
Qty: 1



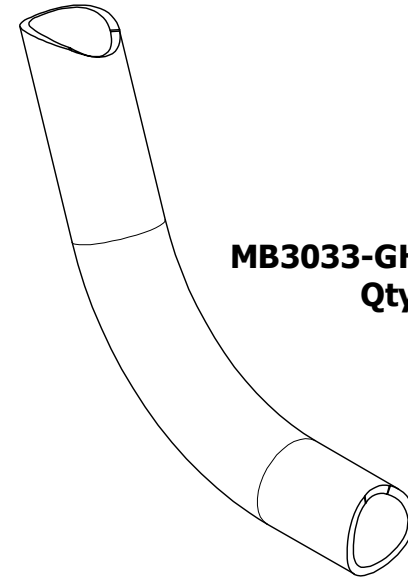
MB3033-GH - TUBE 02
Qty: 1



MB3033-GH - TUBE 03
Qty: 1



MB3033-GH - TUBE 04
Qty: 1



Dwg/Part No:

MB3033-GH - Shipping

Description:

JK Cage Grab Handle Option

Mat'l:

Sheet No: **1** of **1**

Rev No: **0**