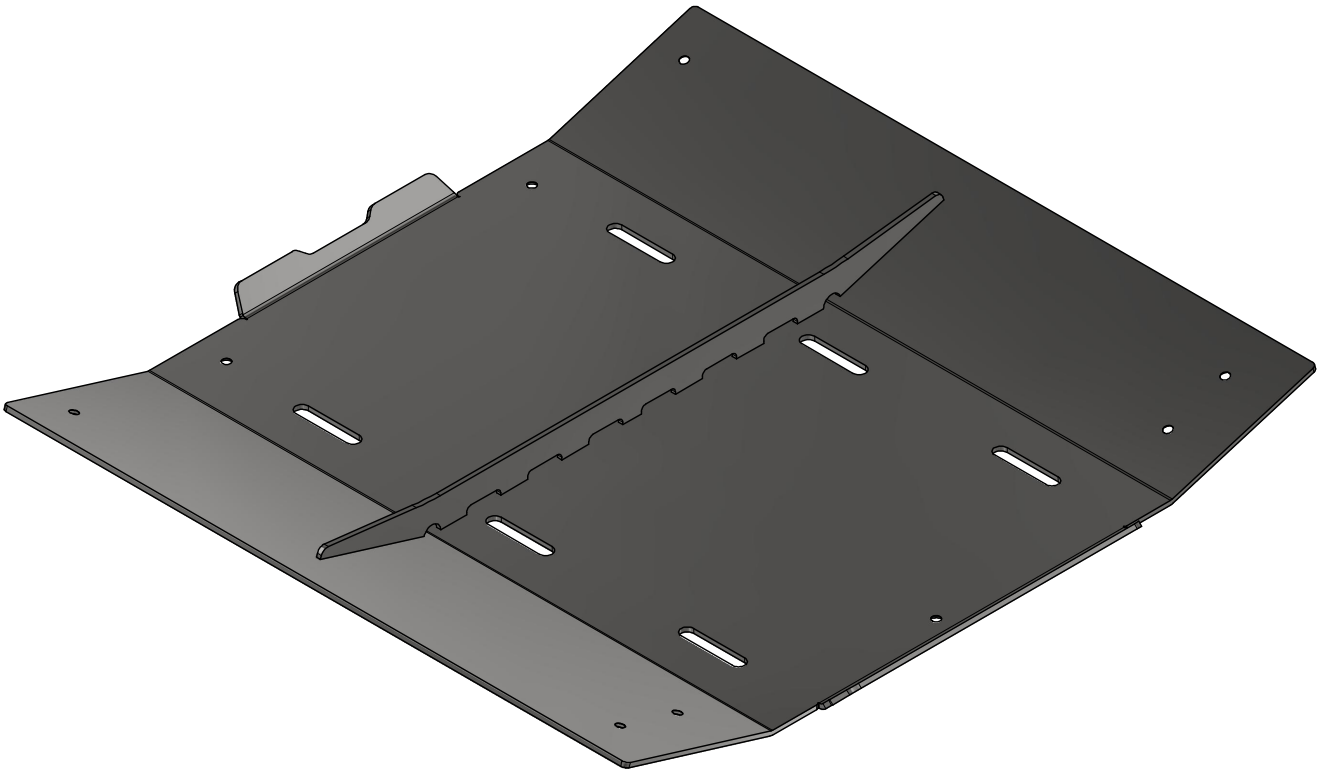
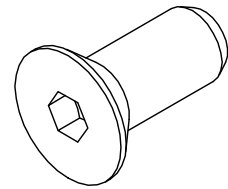
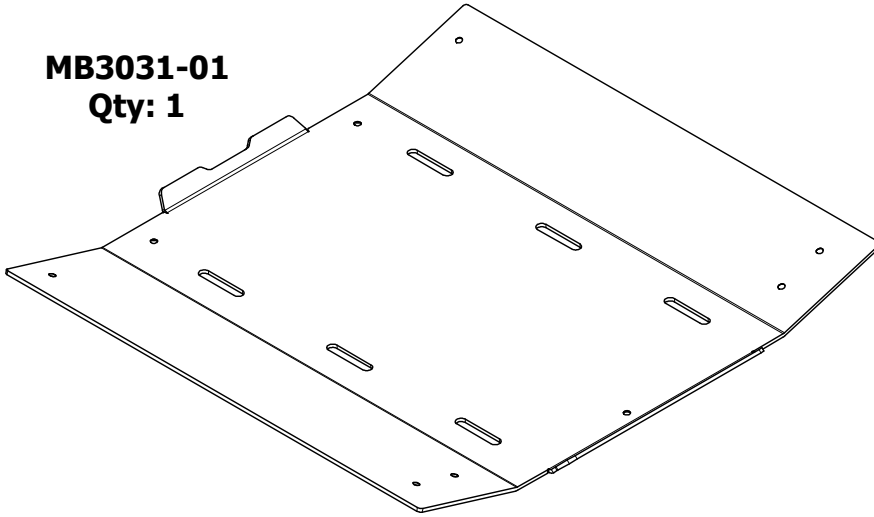


**MB3031 - Assembly Instructions Skid Plate - JKU****SKID PLATE - JKU****ASSEMBLY INSTRUCTIONS**

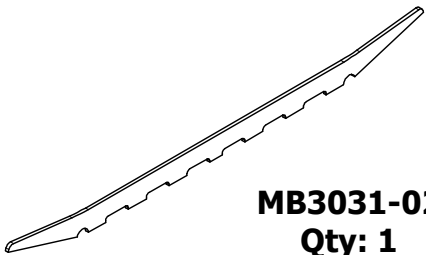
**ANSI B18.3 - 7/16-14 UNC x 1, HSFCHCSI Hexagon Socket Flat Countersunk Head Cap Screw**

**KIT COMPONENTS**

**MB3031-01**  
**Qty: 1**

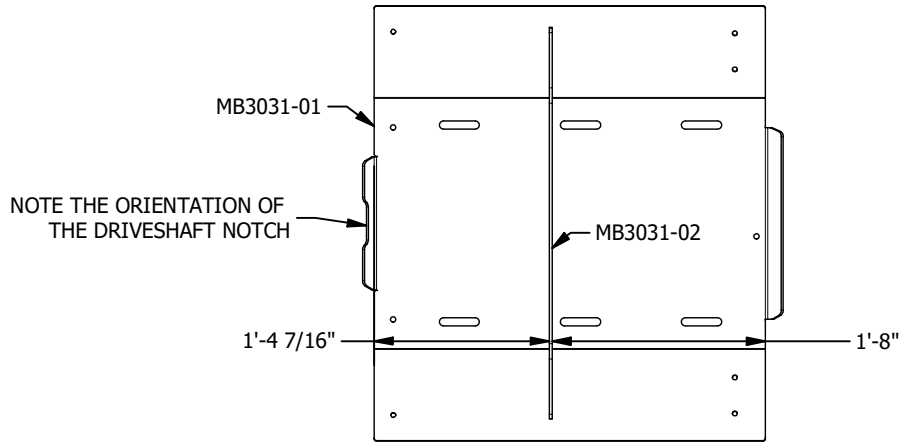


**COUNTER SUNK SCREW**  
**7/16"-14 x 1"**  
**Qty: 9**

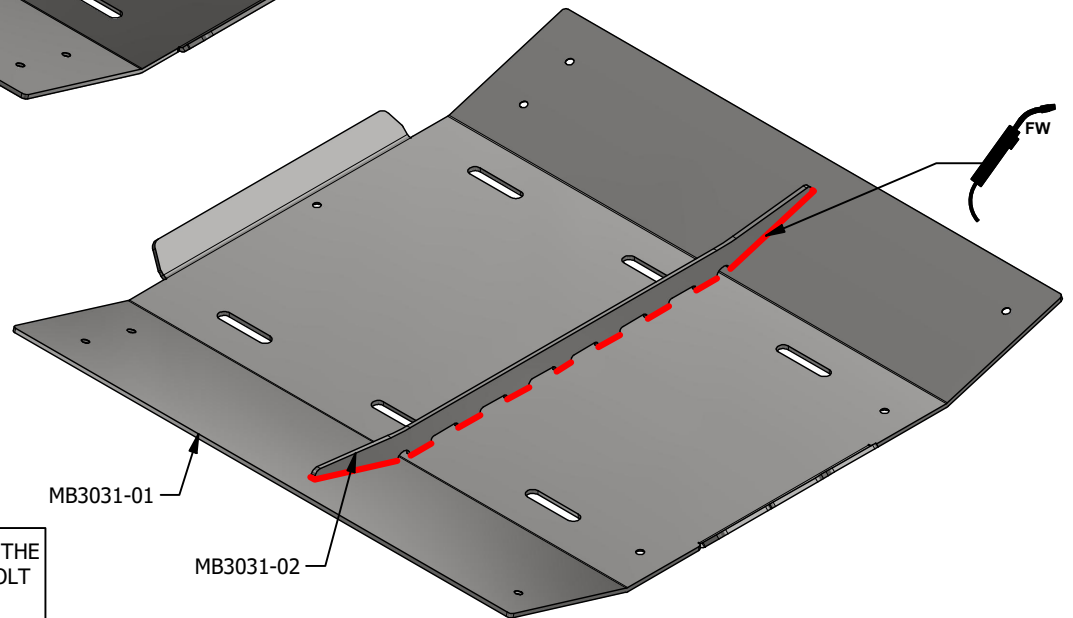
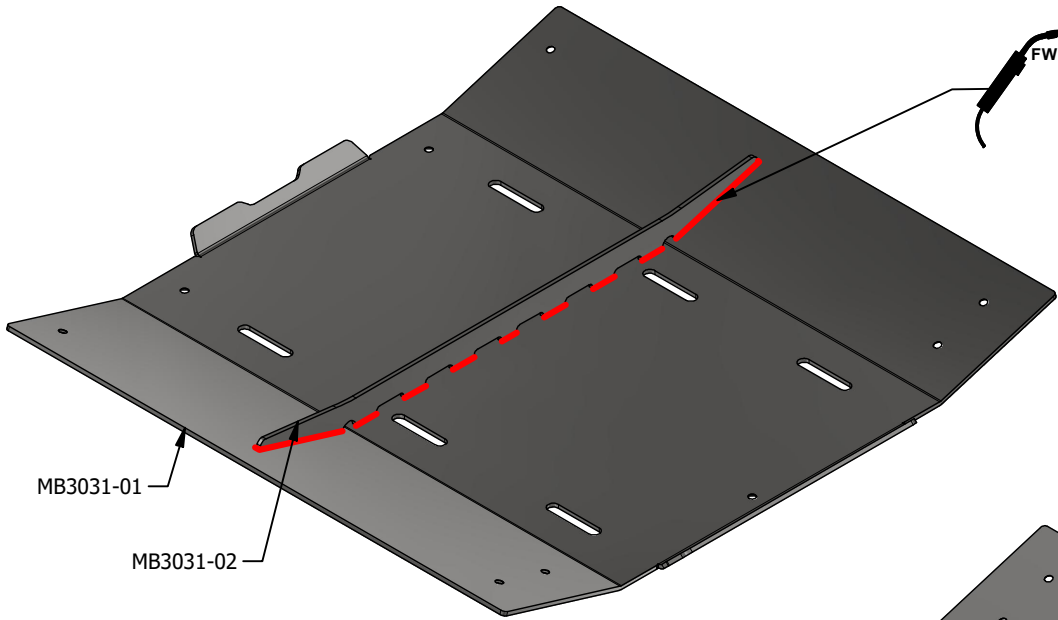


**MB3031-02**  
**Qty: 1**

**MB3031 - Assembly Instructions Skid Plate - JKU**



**TOP VIEW**



PAINT ALL EXPOSED METAL TO PROTECT THE SKID PLATE FROM CORROSION. THEN BOLT TO THE CROSS MEMBER IN THE JEEP.