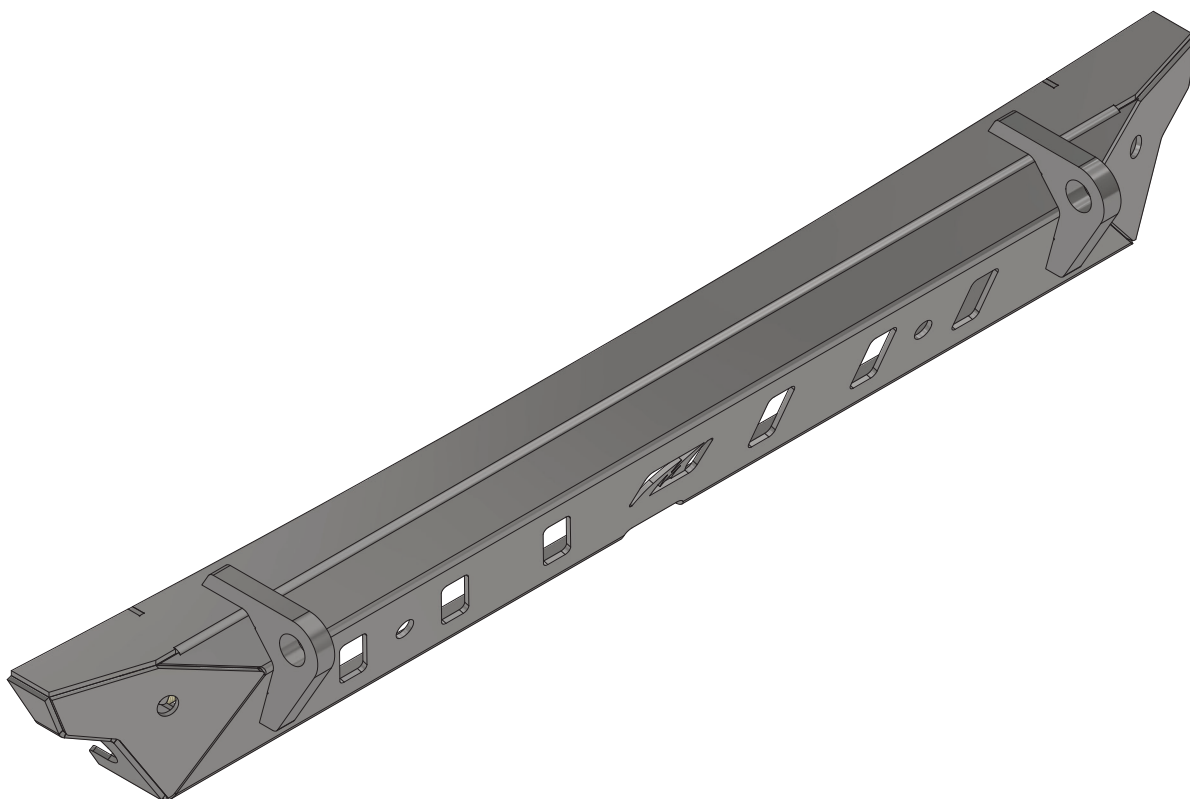


**MB2183 - Assembly Instructions Micro Rear Bumper**

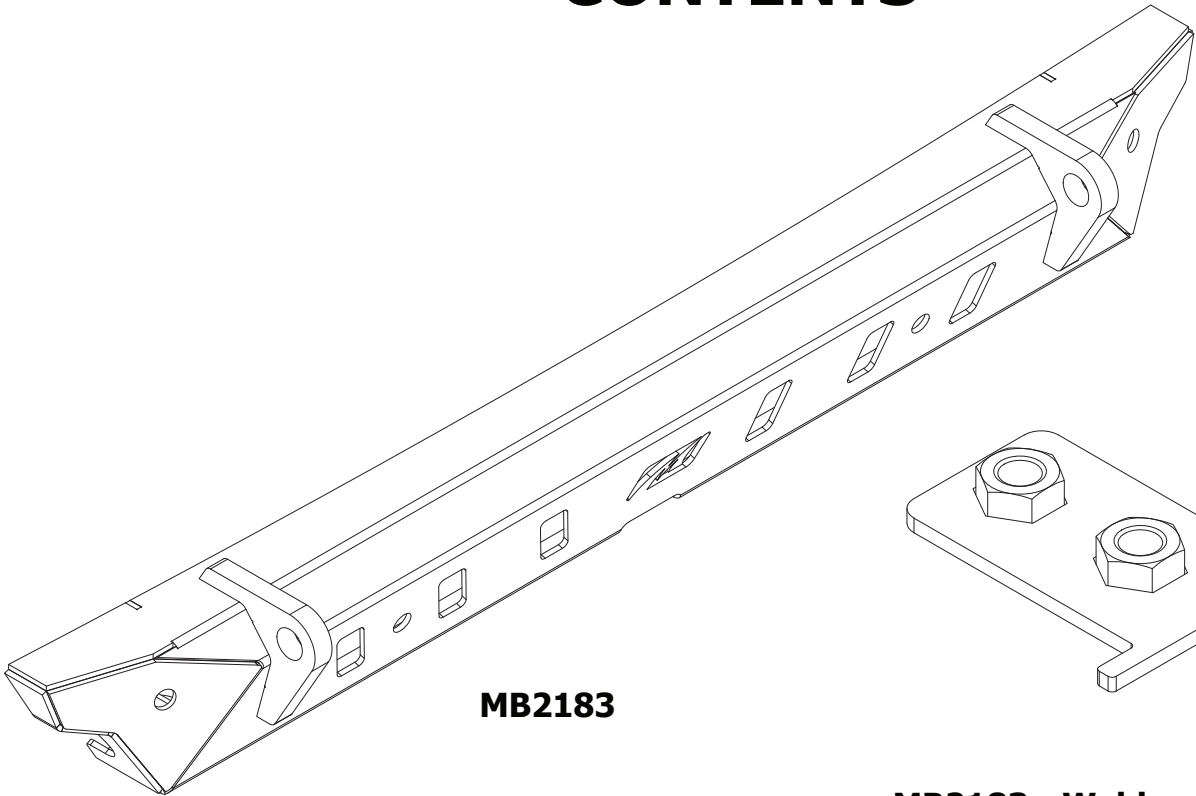
# MB2183 - MICRO REAR BUMPER

**COMPATIBLE WITH JEEP JL/JLU**

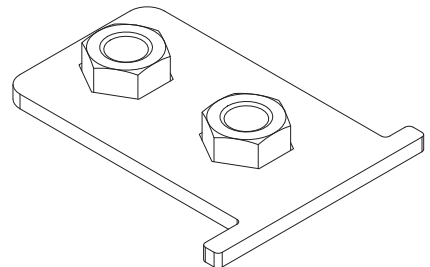
## ASSEMBLY INSTRUCTIONS

**MB2183 - Shipping Micro Rear Bumper**

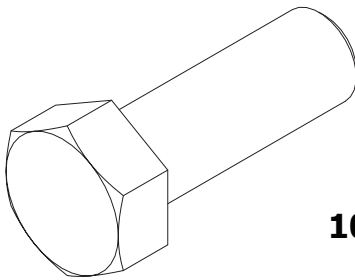
**CONTENTS**



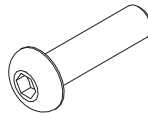
**MB2183**



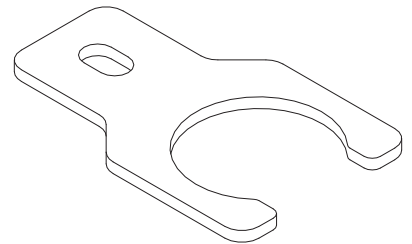
**MB2183 - Weldment 02**



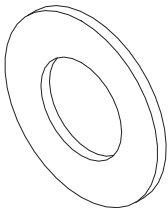
**M14x1.5 x 40 - Hex Bolt  
Qty 8**



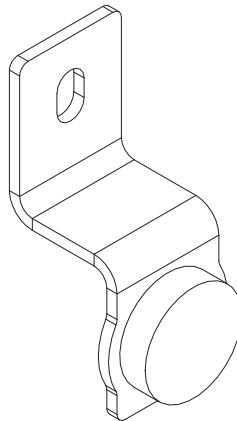
**10-24 x .75" Button Head Hex Socket  
Qty 4**



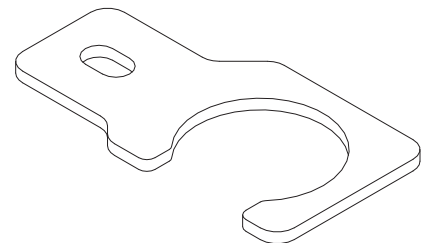
**MB2117-01  
Qty: 2**



**9/16" Plain Washer  
Qty 8**



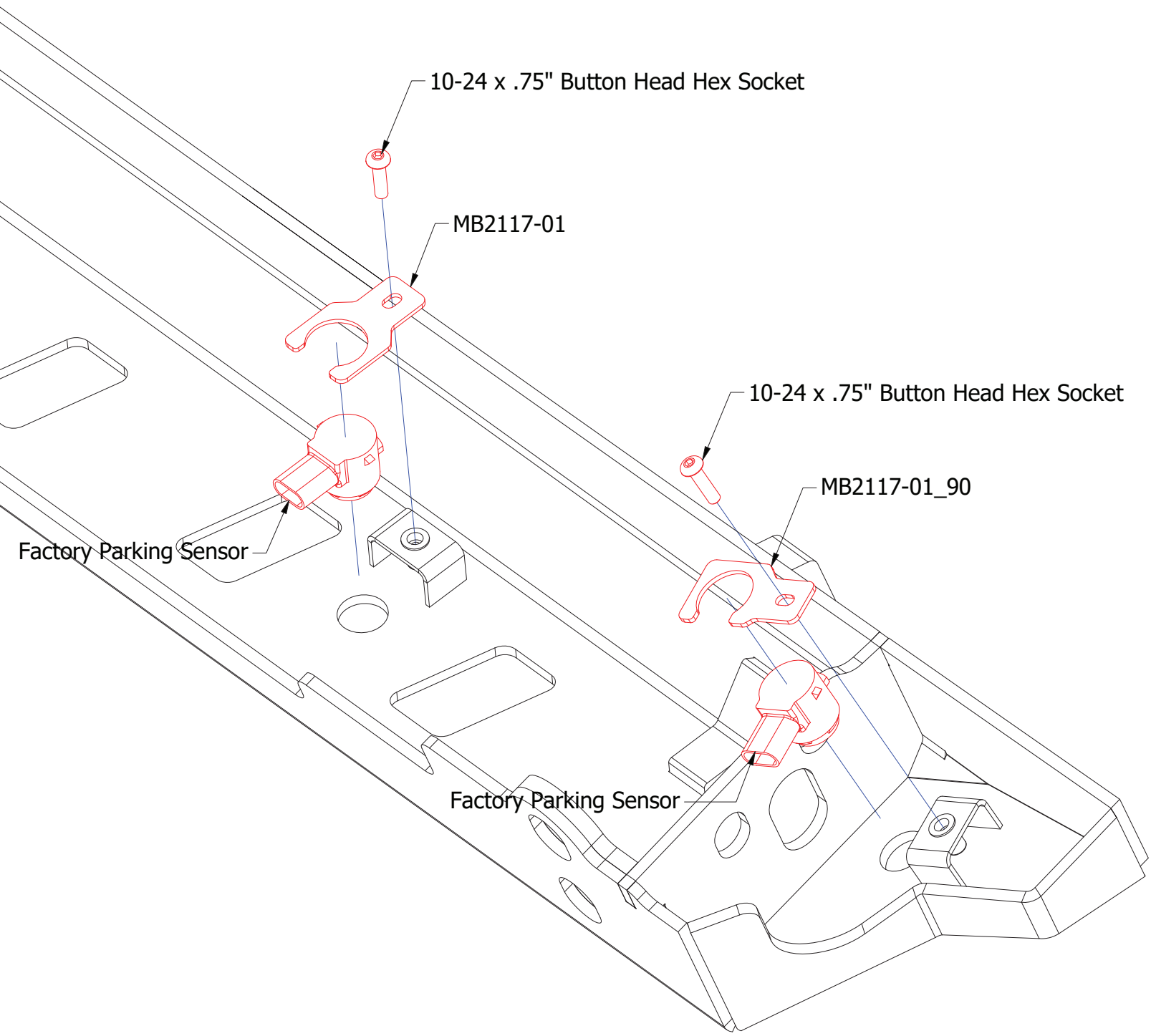
**MB2145  
Qty 4**



**MB2117-01\_90  
Qty: 2**

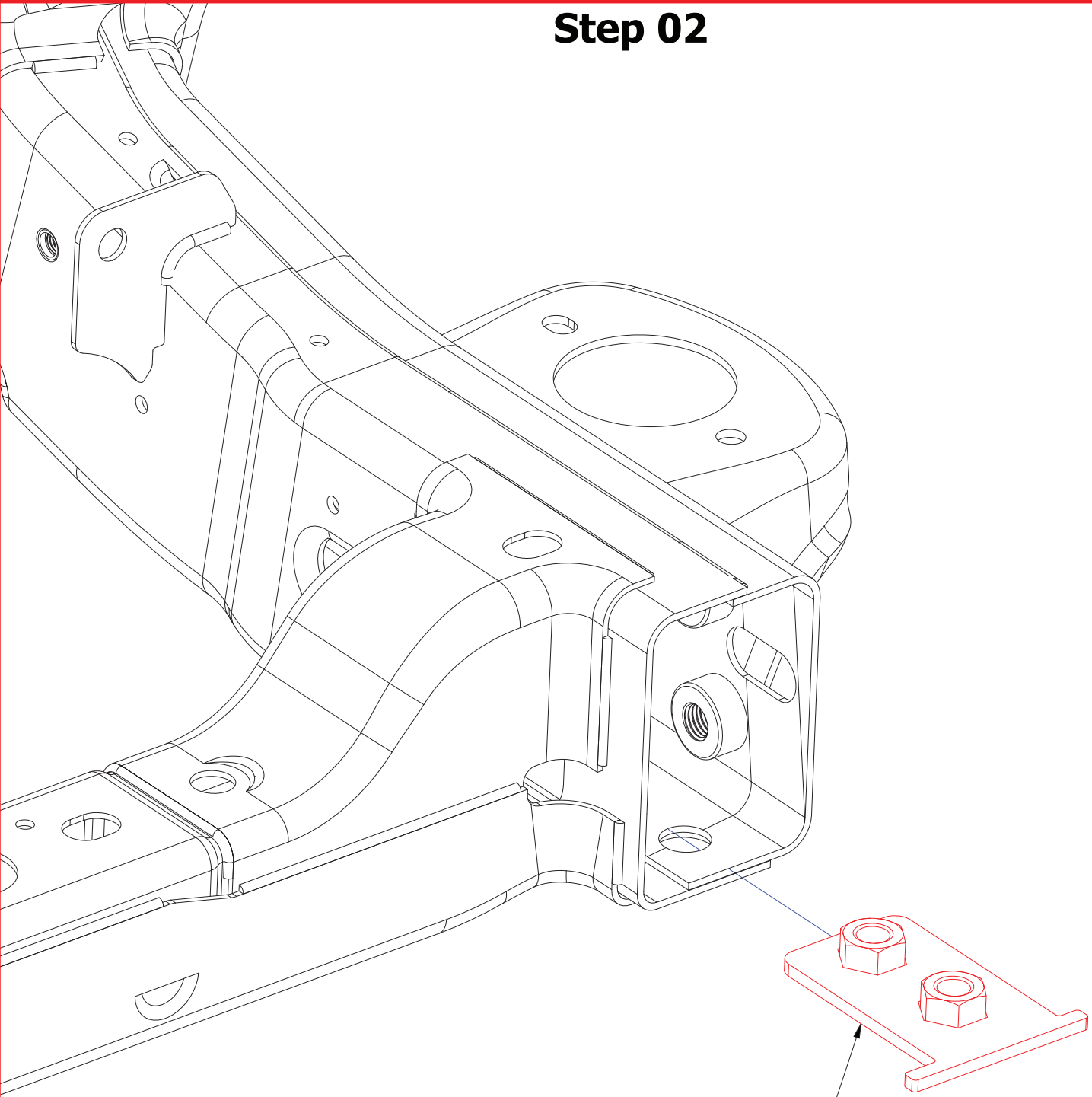
**MB2183 - Assembly Instructions Micro Rear Bumper**

**Step 01**

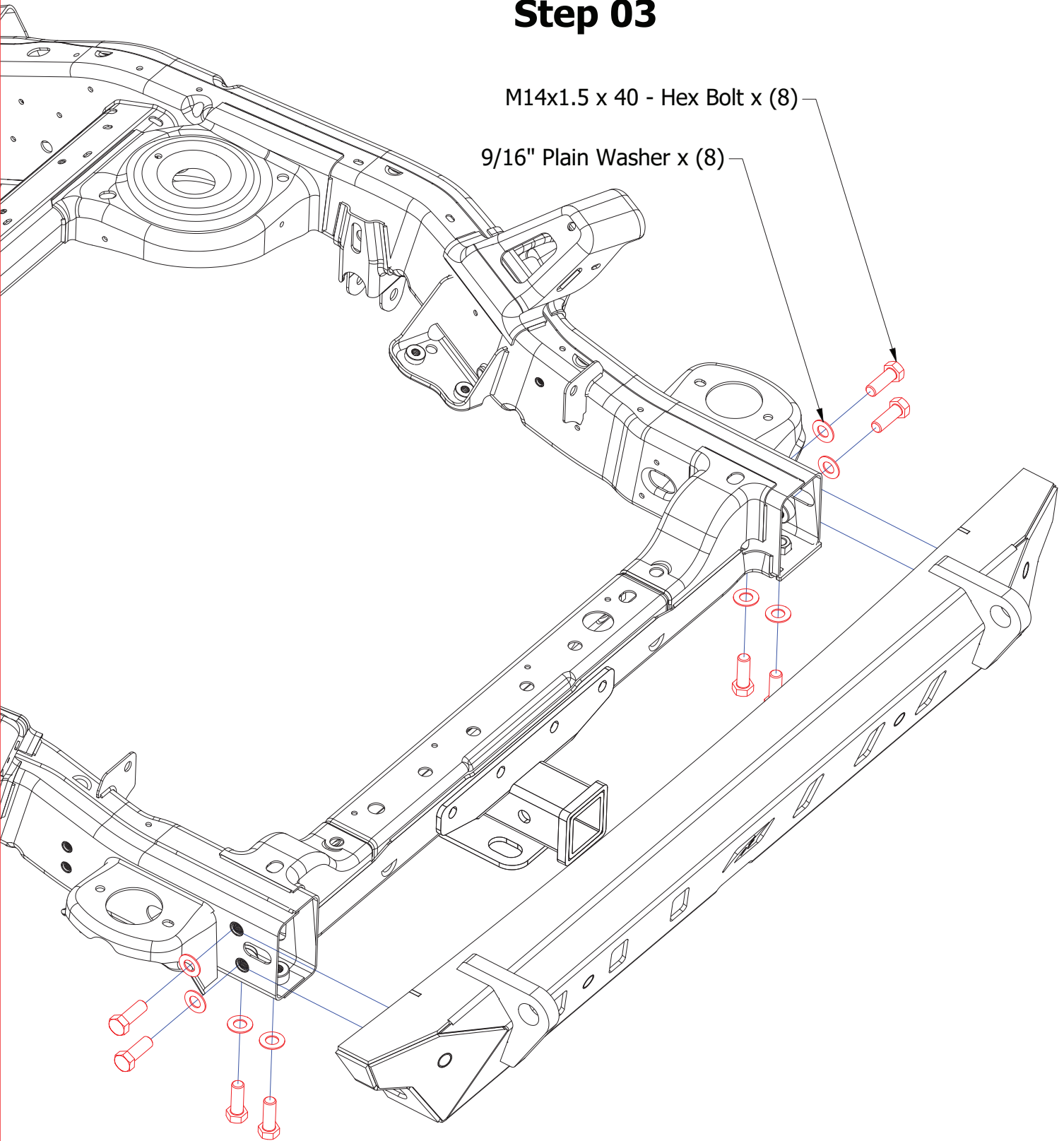


**MB2183 - Assembly Instructions Micro Rear Bumper**

**Step 02**



MB2183 - Weldment 02

**MB2183 - Assembly Instructions Micro Rear Bumper****Step 03**

M14x1.5 x 40 - Hex Bolt x (8)

9/16" Plain Washer x (8)

IF YOUR VEHICLE IS EQUIPPED WITH THE FACTORY RECOVERY HOOK YOU WILL NEED TO REMOVE BEFORE INSTALLING YOUR NEW BUMPER