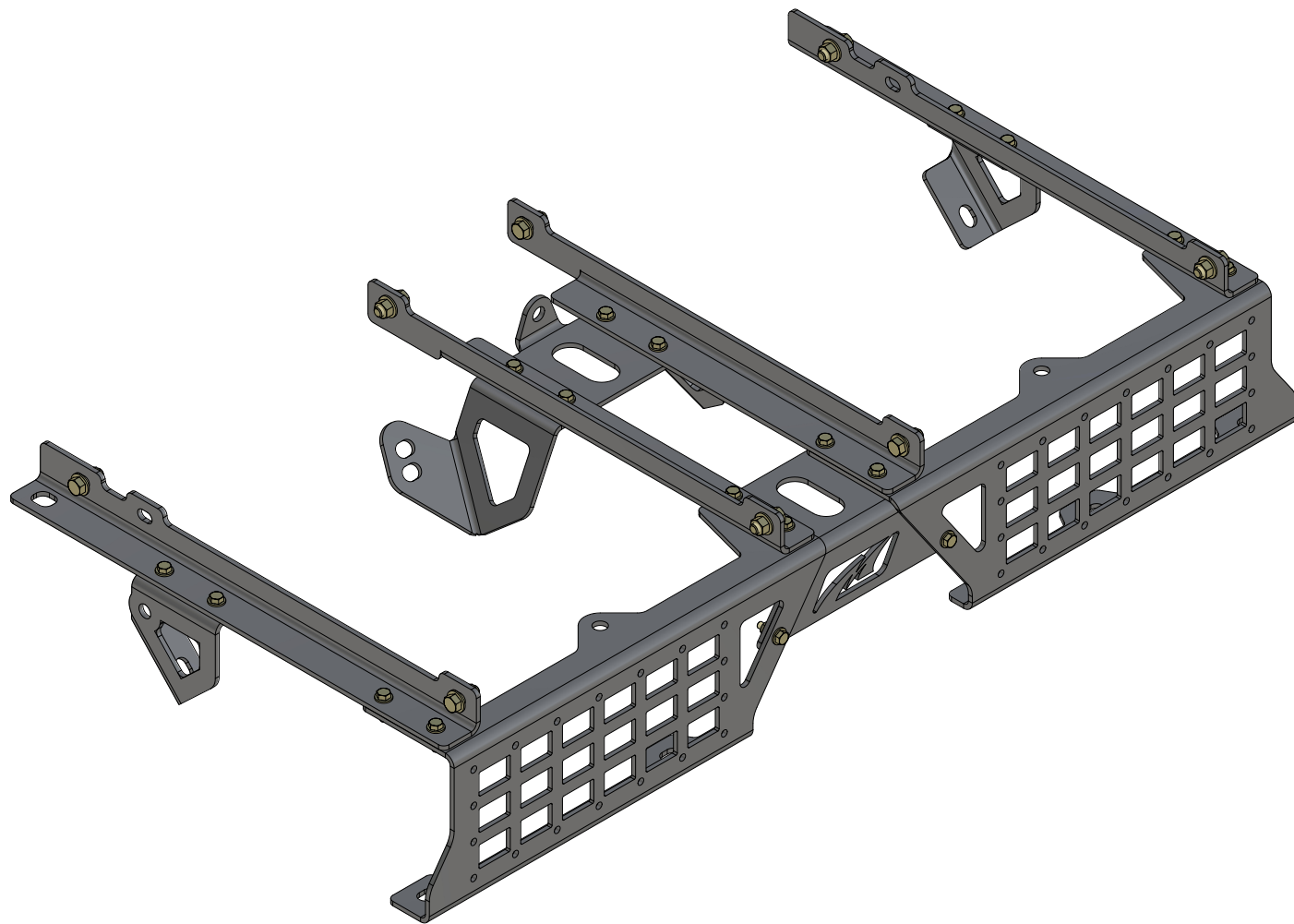
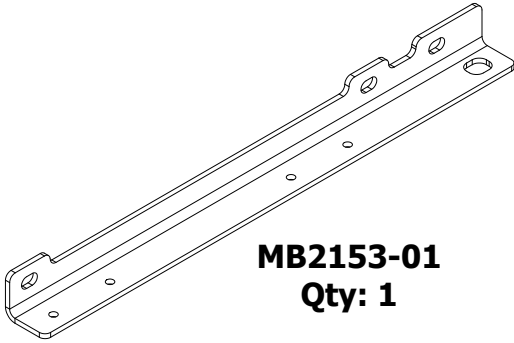
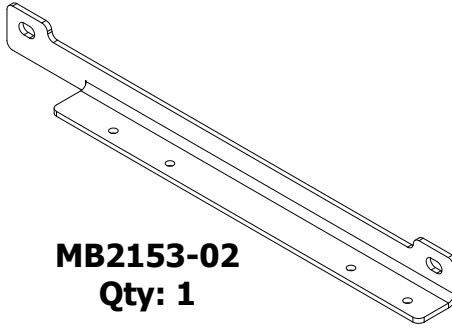
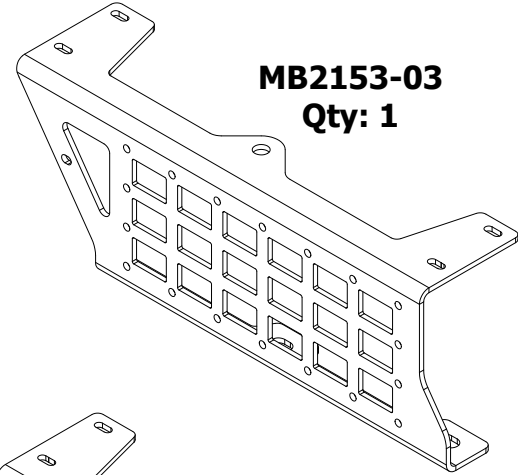
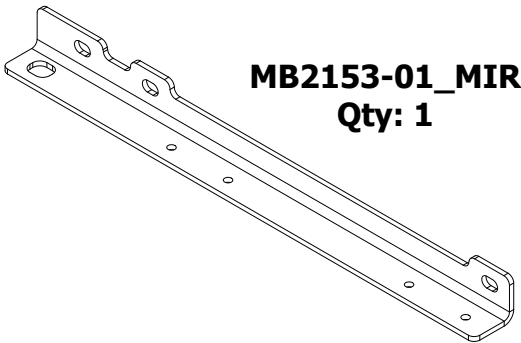
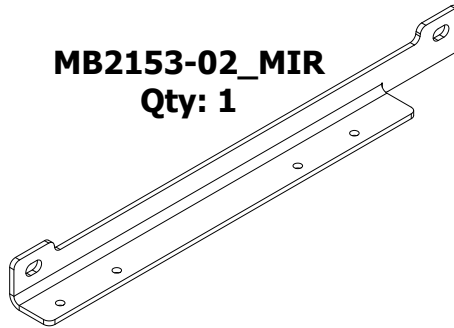
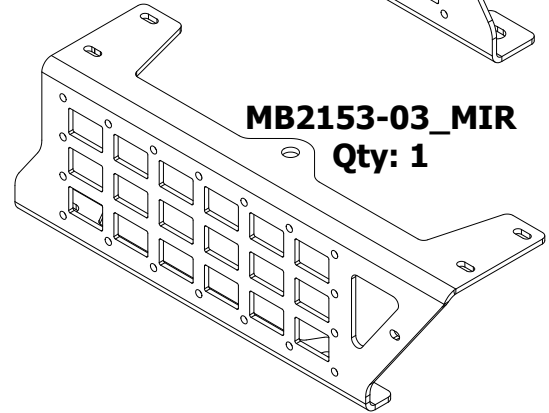
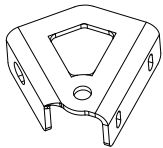
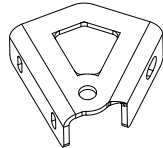
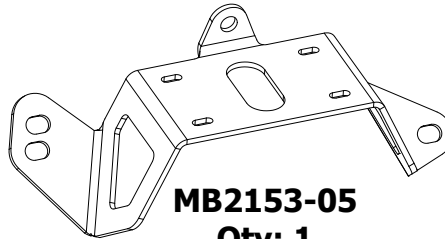
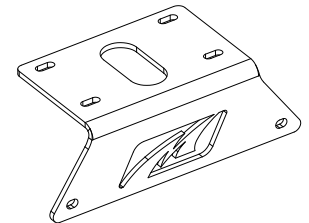
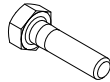


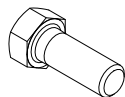
MB2153 - JKU/JLU REAR SEAT MOUNTS



ASSEMBLY INSTRUCTIONS

MB2153 - Installation Instructions JKU & JLU Rear Seat Mounts
CONTENTS

MB2153-01
Qty: 1

MB2153-02
Qty: 1

MB2153-03
Qty: 1

MB2153-01_MIR
Qty: 1

MB2153-02_MIR
Qty: 1

MB2153-03_MIR
Qty: 1

MB2153-04
Qty: 1

MB2153-04_MIR
Qty: 1

MB2153-05
Qty: 1

MB2153-06
Qty: 1

Hex Bolt
1/4\"-20 x 1\" GR8
Qty: 18

Flat Washer
1/4\" GR8
Qty: 36

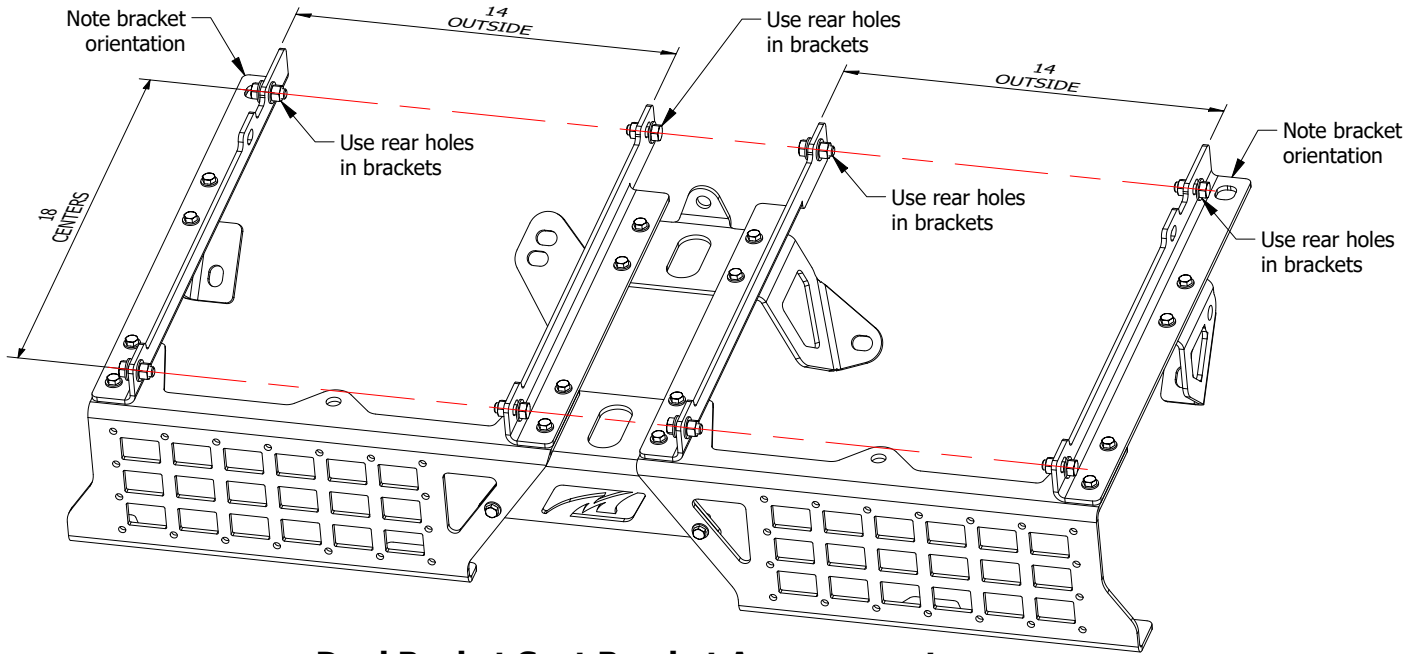
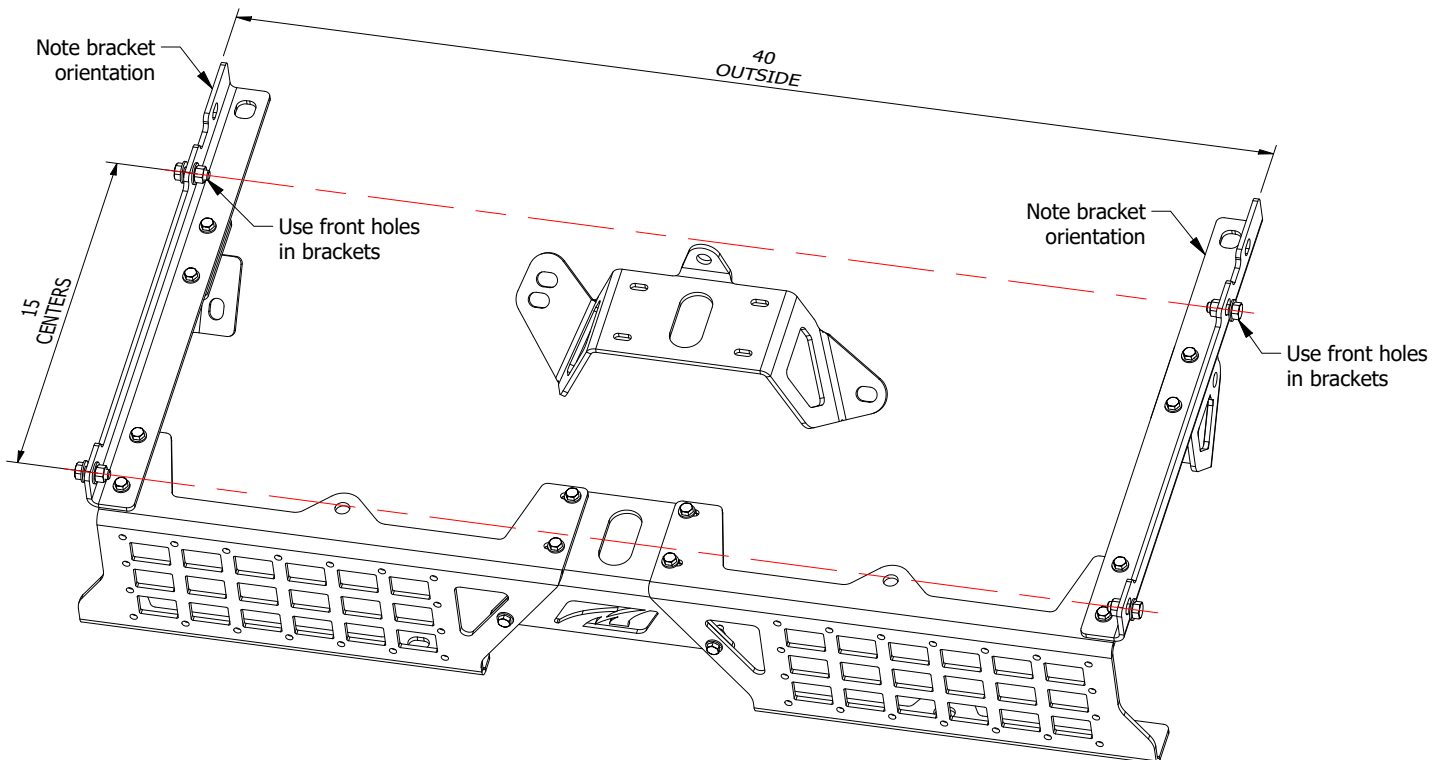
Nylock Nut
1/4\"-20 GR8
Qty: 18

Hex Bolt
3/8\"-16 x 1\" GR8
Qty: 8

Flat Washer
3/8\"
Qty: 16

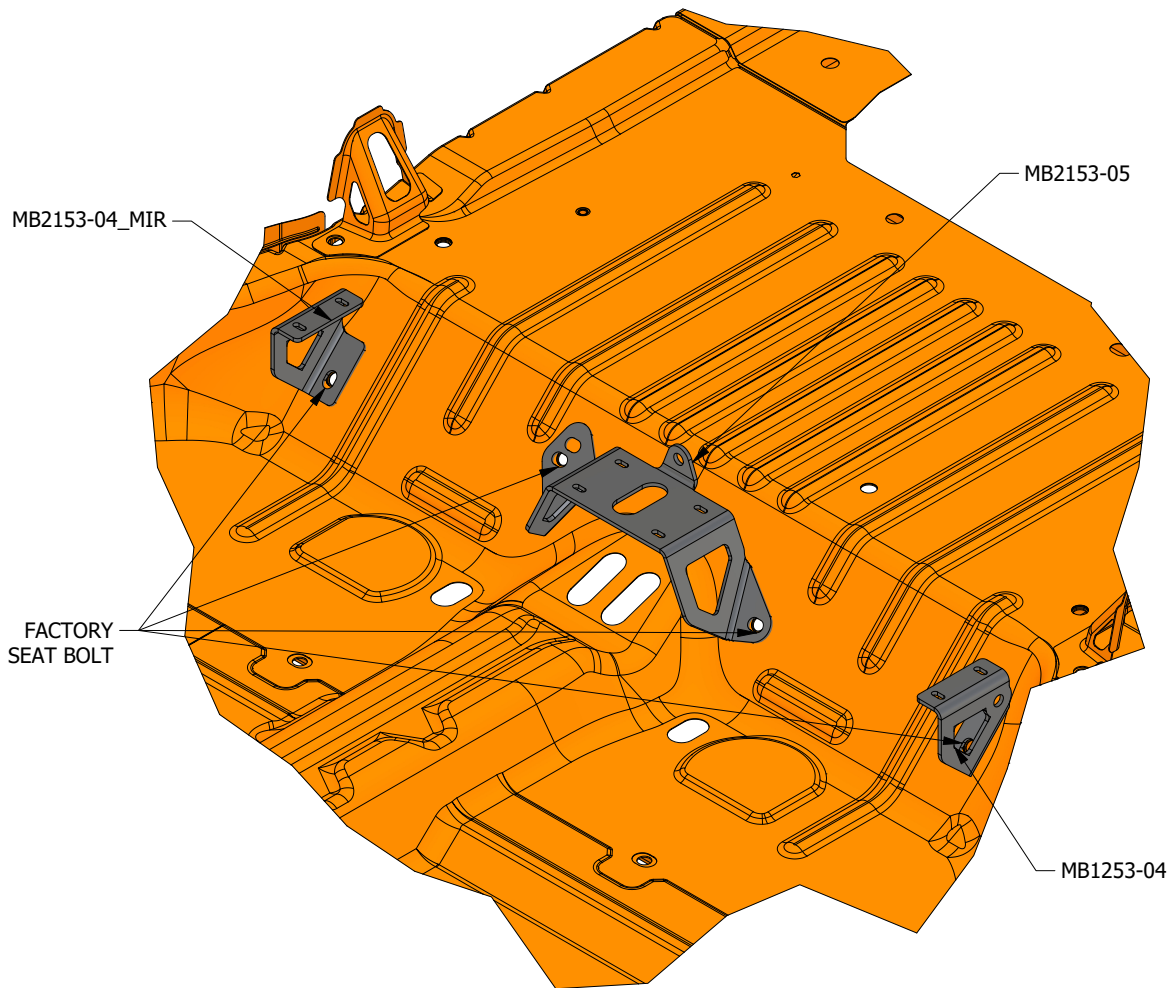
Nylock Nut
3/8\"-16
Qty: 8

MB2153 - Installation Instructions JKU & JLU Rear Seat Mounts**JEEP JKU & JLU REAR SEAT MOUNTS
2007 - CURRENT****NOTE:**

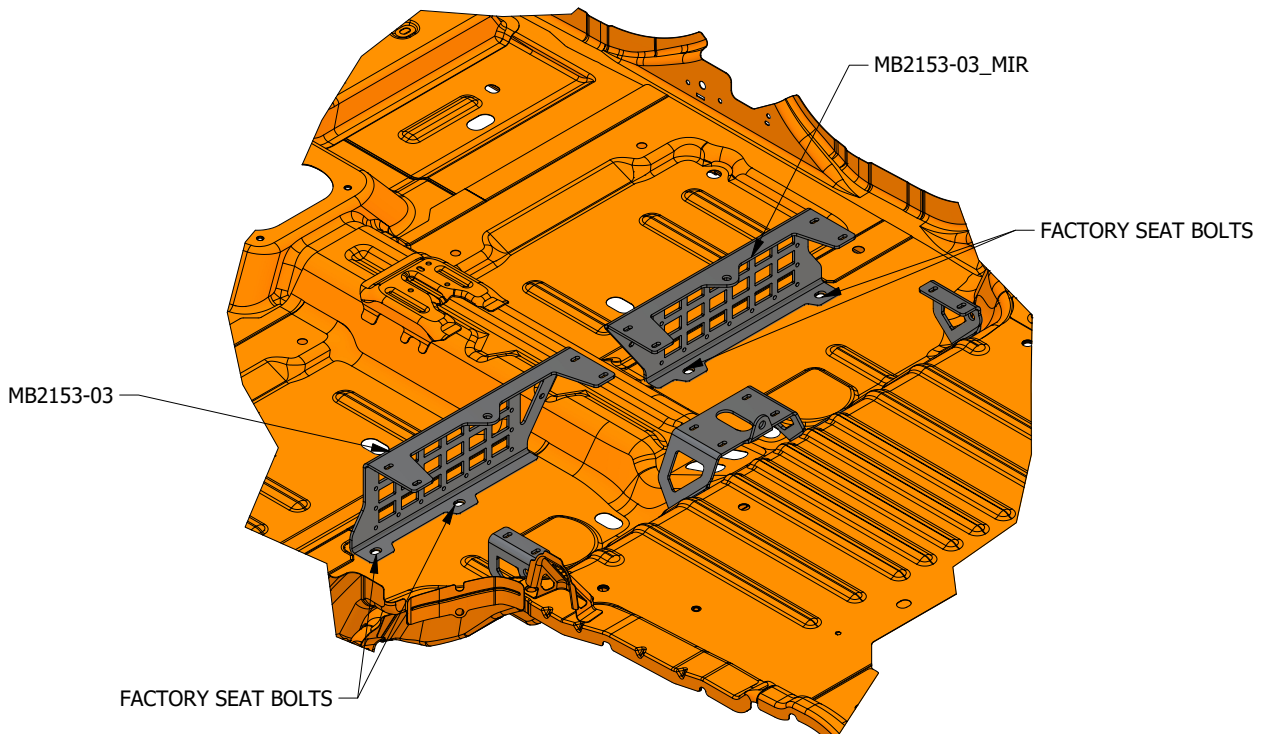
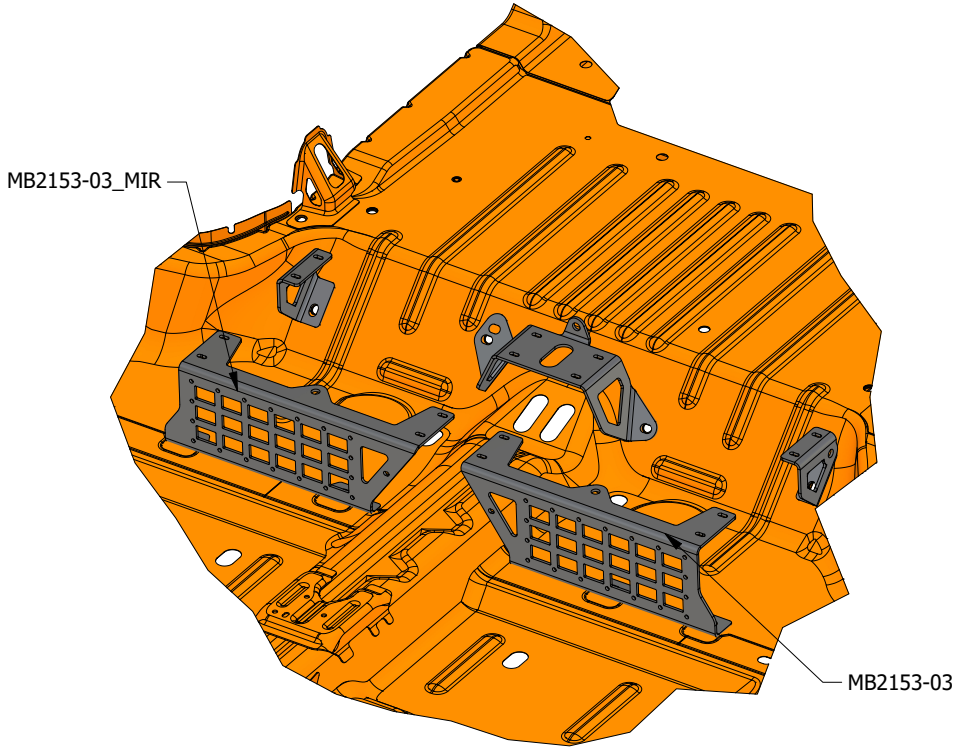
Both arrangements shown use common parts & fasteners provided in this kit, except they are assembled differently depending on the seat type being used. Installation procedure is identical for models Jeep JKU or Jeep JLU. These instructions show a Jeep JKU body. The factory rear seat mounting points are very similar between Jeep JKU & Jeep JLU, thus, our kit allows for installation in either vehicle model.

**Dual Bucket Seat Bracket Arrangement****Single Bench Seat Bracket Arrangement**

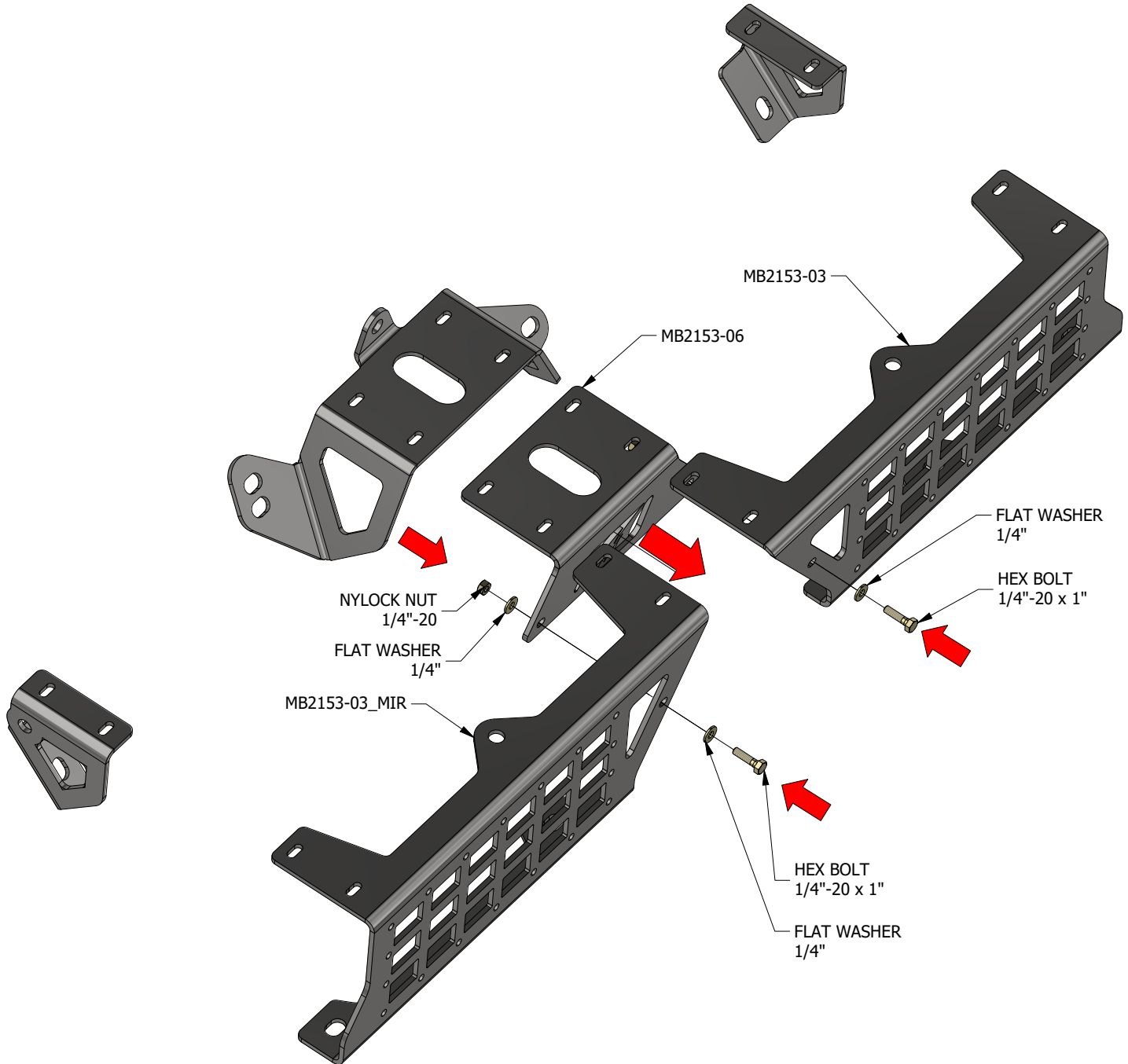
MB2153 - Installation Instructions JKU & JLU Rear Seat Mounts



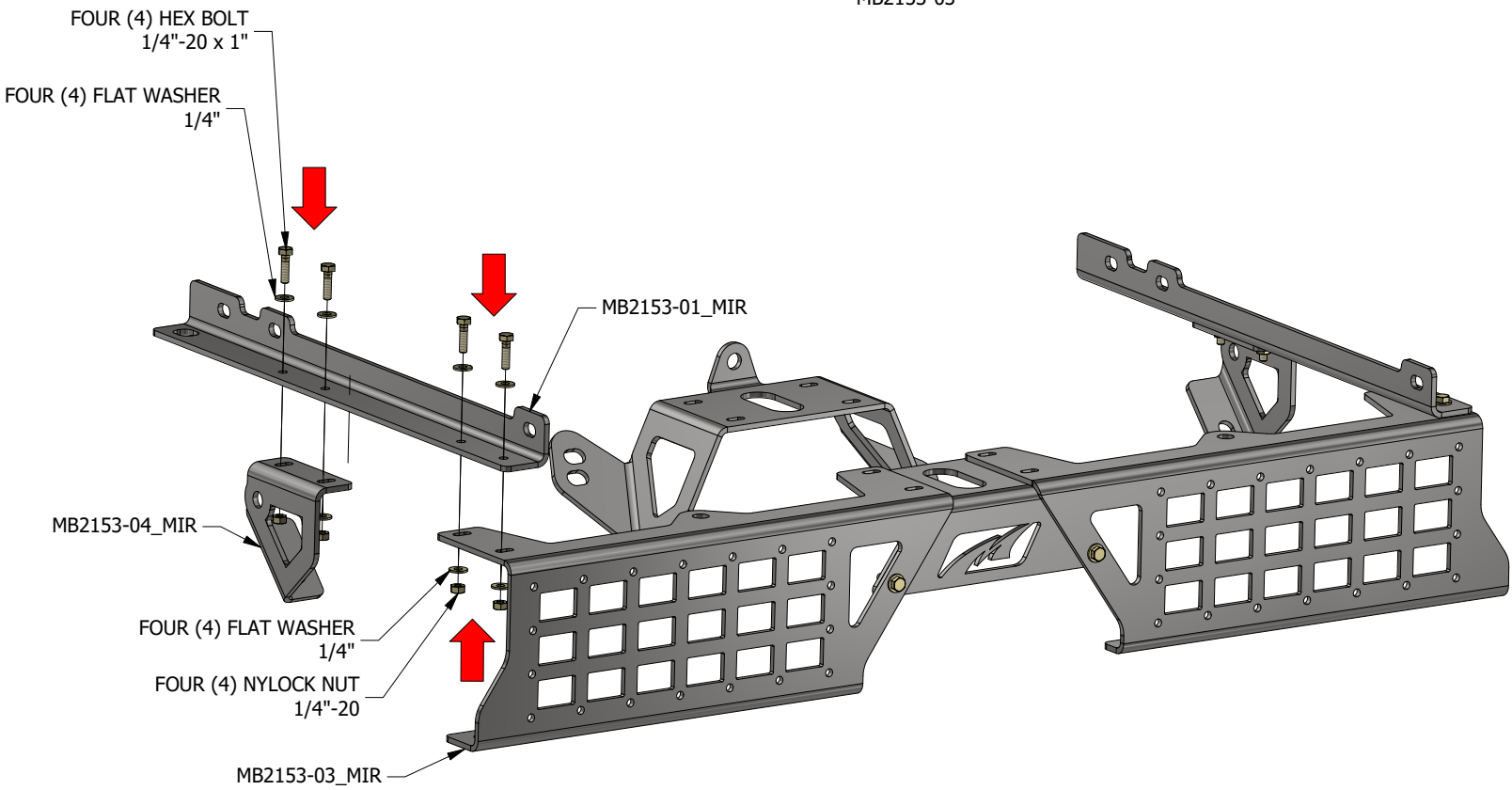
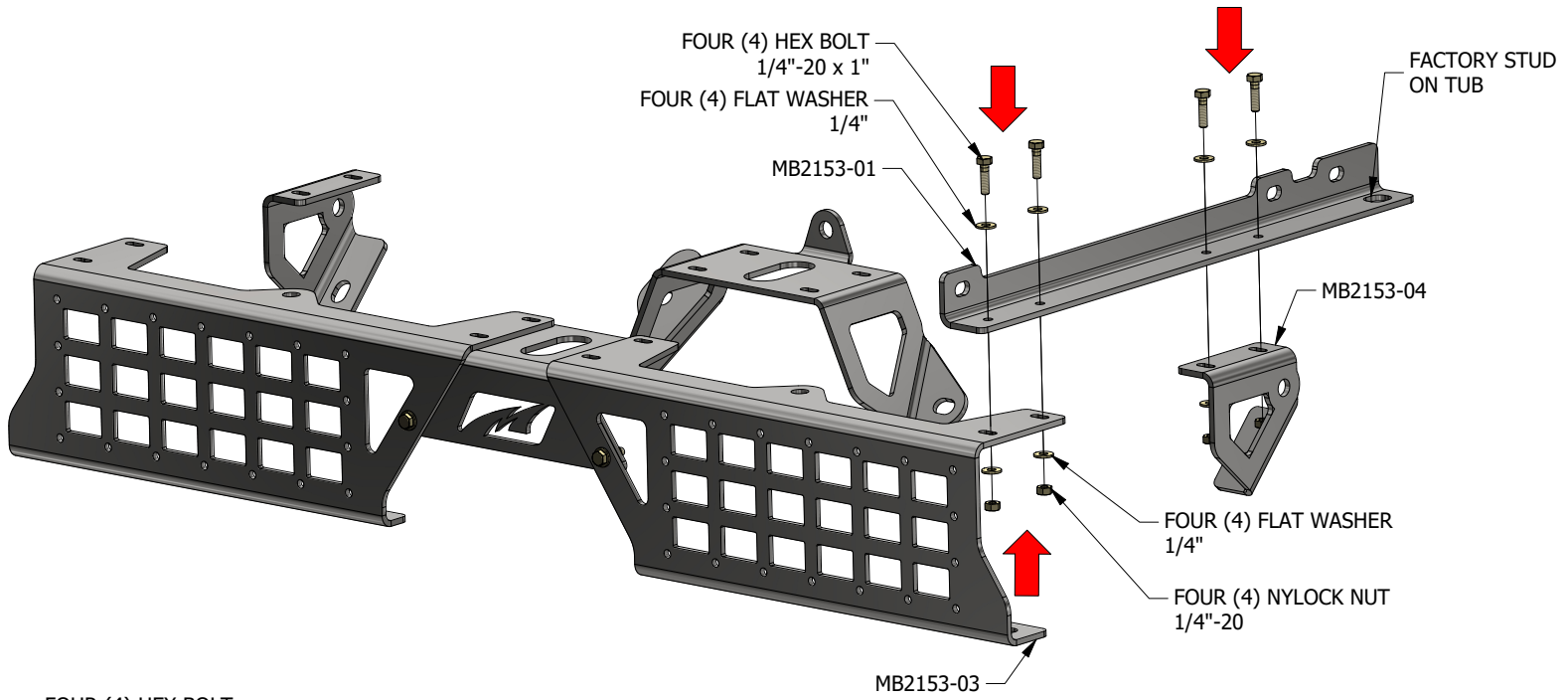
MB2153 - Installation Instructions JKU & JLU Rear Seat Mounts



MB2153 - Installation Instructions JKU & JLU Rear Seat Mounts

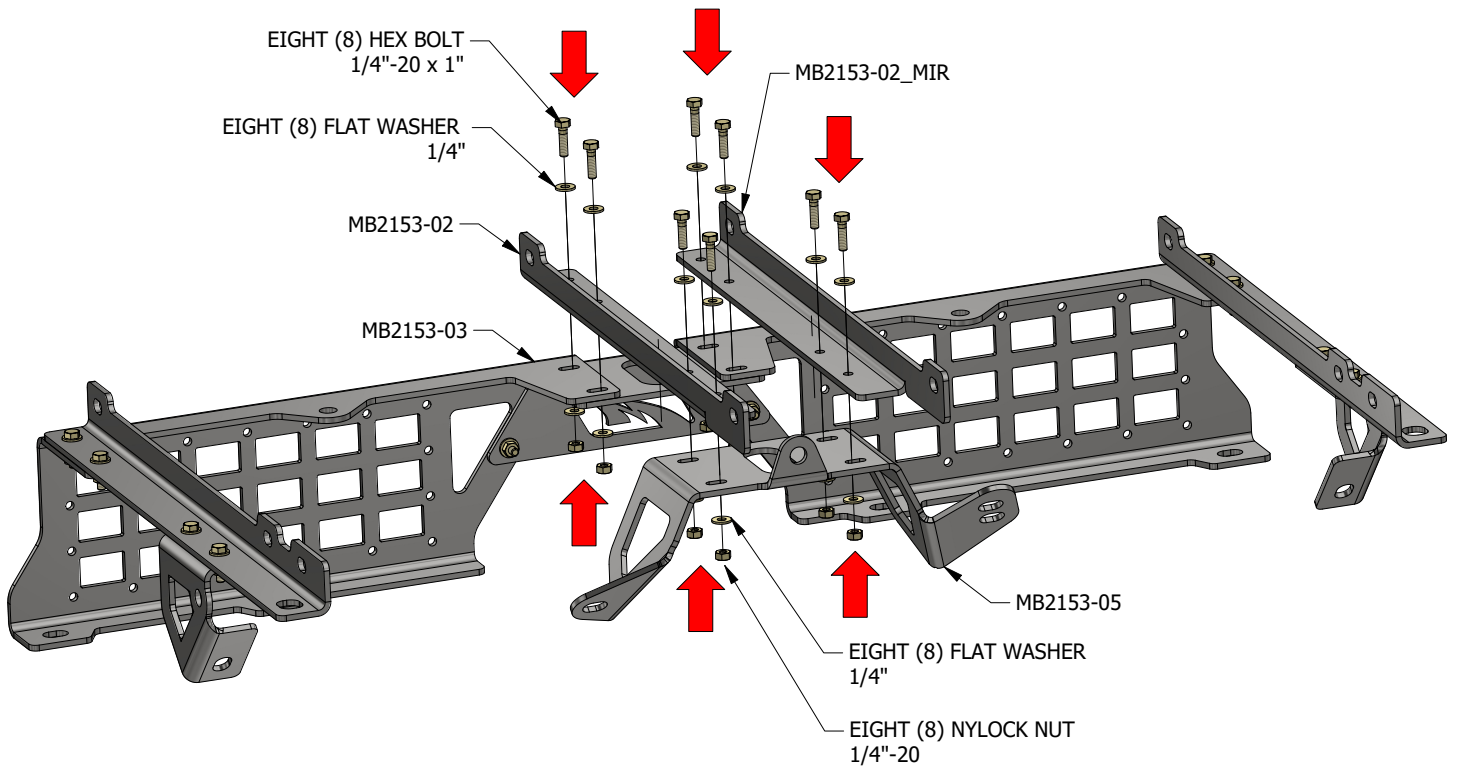


MB2153 - Installation Instructions JKU & JLU Rear Seat Mounts



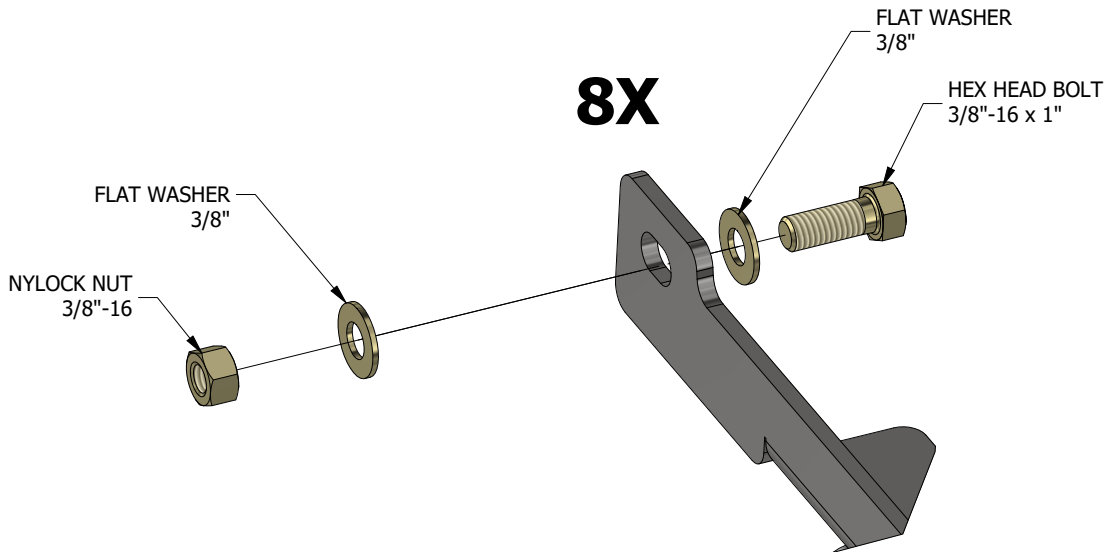
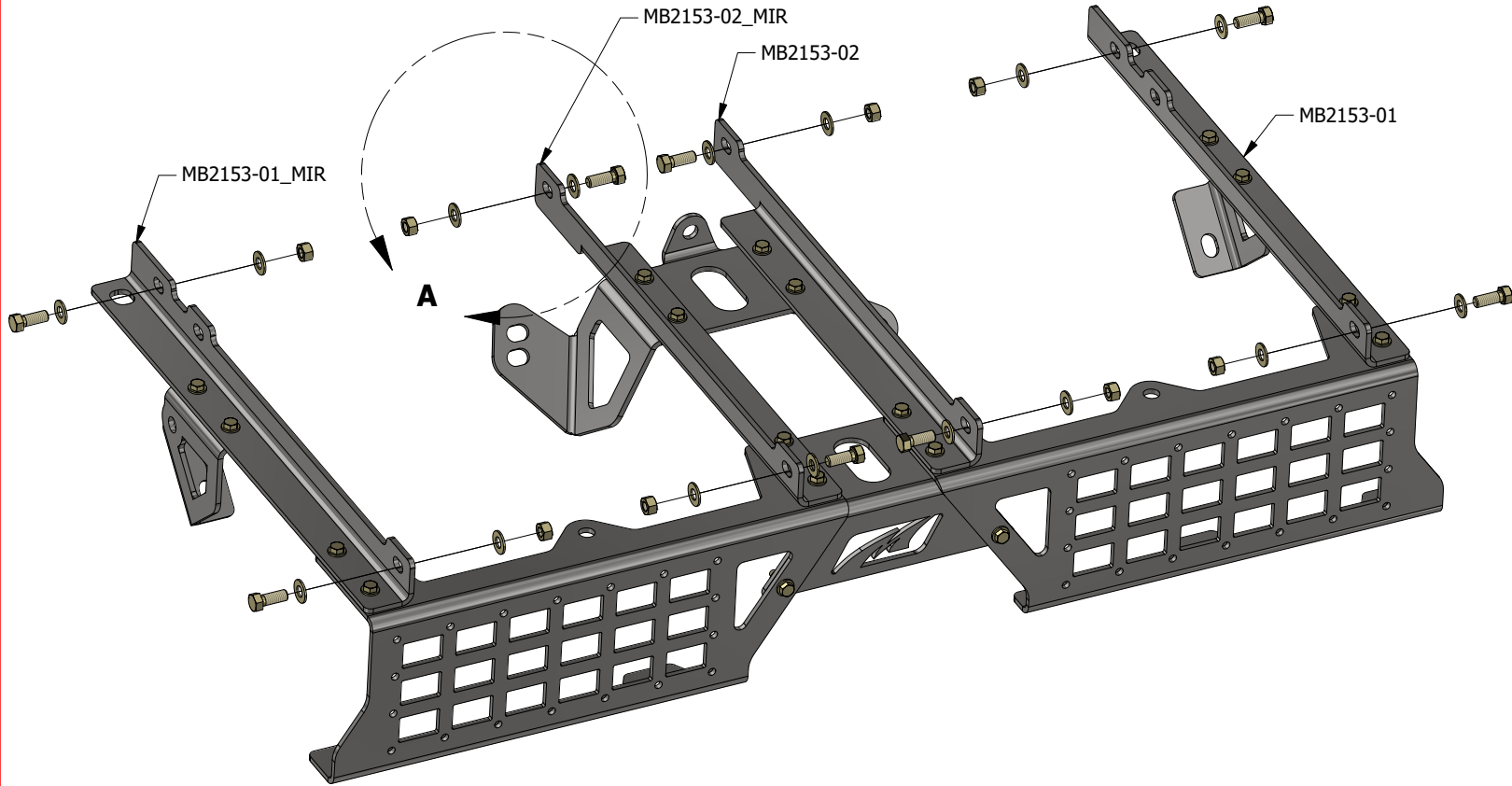
MB2153 - Installation Instructions JKU & JLU Rear Seat Mounts

**SKIP THIS STEP IF YOU ARE
INSTALLING A BENCH SEAT**

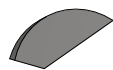


MB2153 - Installation Instructions JKU & JLU Rear Seat Mounts

BUCKET SEAT MOUNT ASSEMBLY



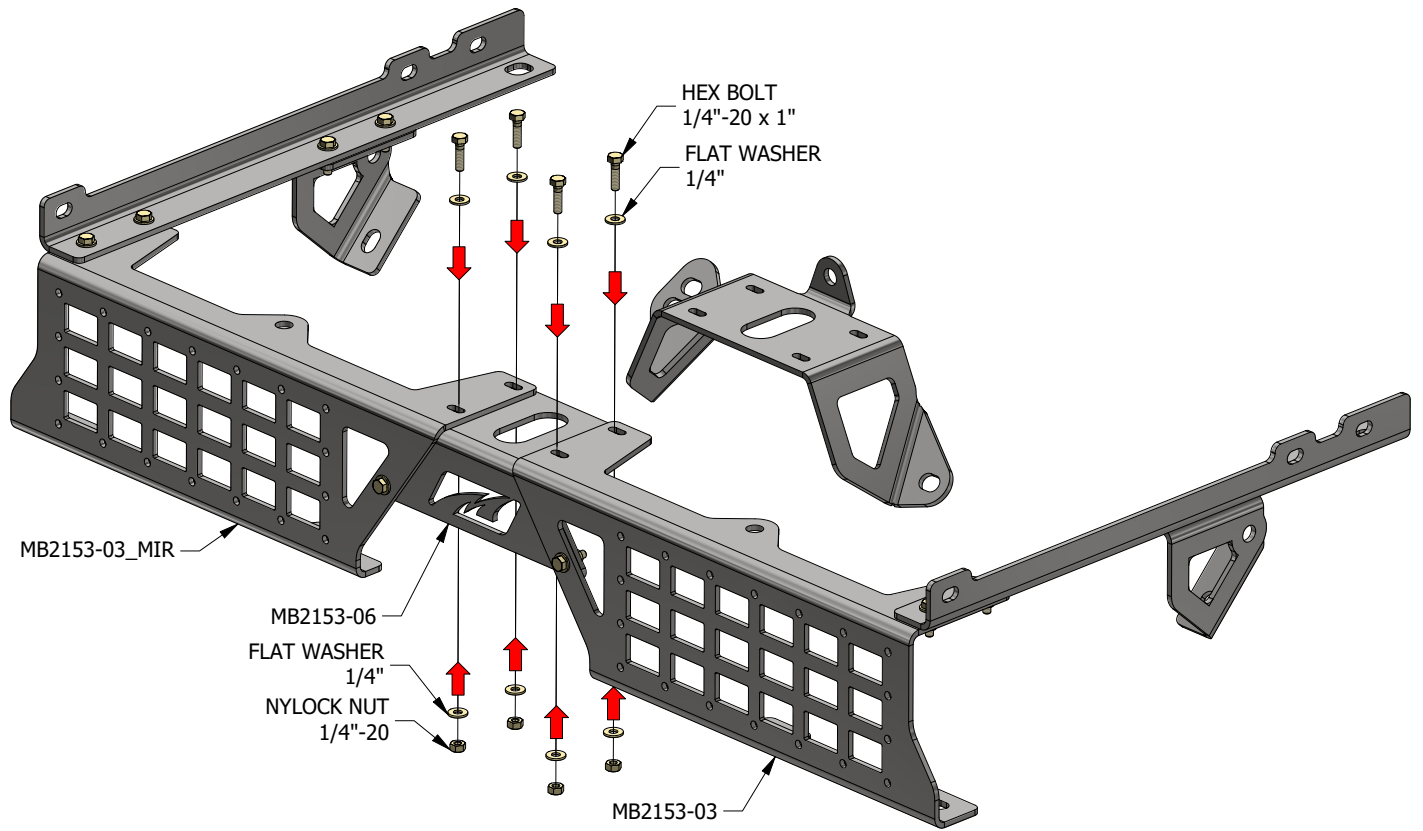
**SKIP THIS STEP IF YOU ARE
INSTALLING A BENCH SEAT**



DETAIL A

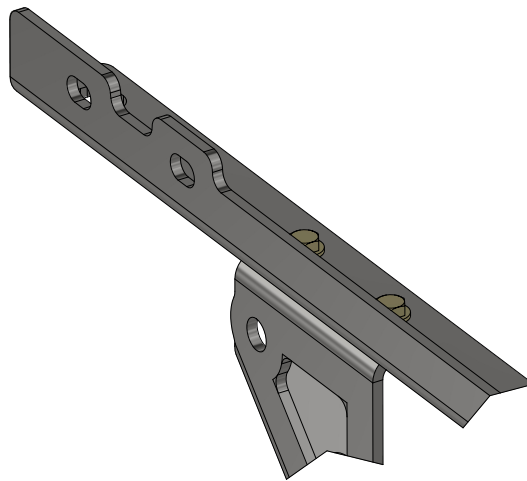
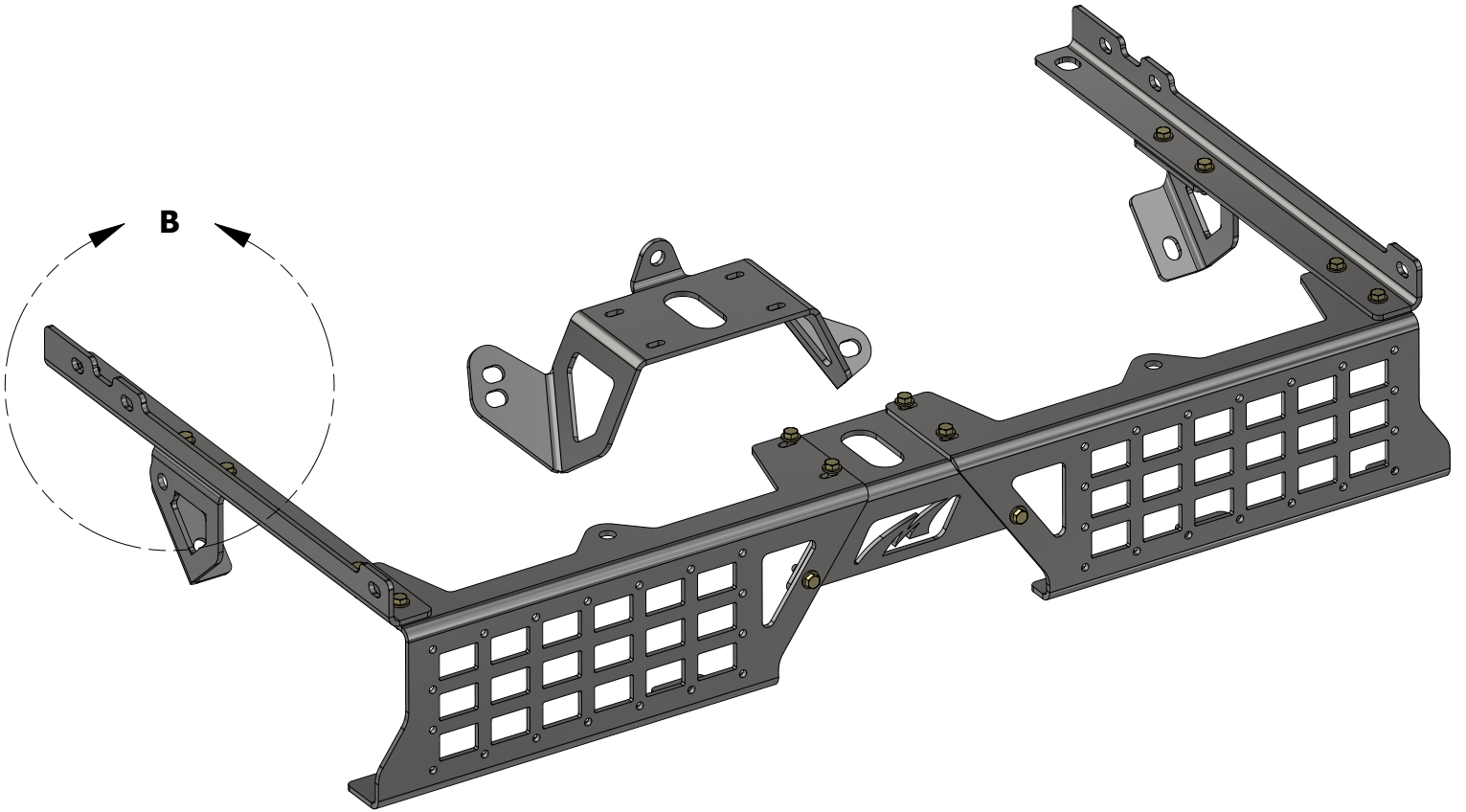
MB2153 - Installation Instructions JKU & JLU Rear Seat Mounts

BENCH SEAT MOUNT ASSEMBLY



MB2153 - Installation Instructions JKU & JLU Rear Seat Mounts

BENCH SEAT MOUNT ASSEMBLY



DETAIL B