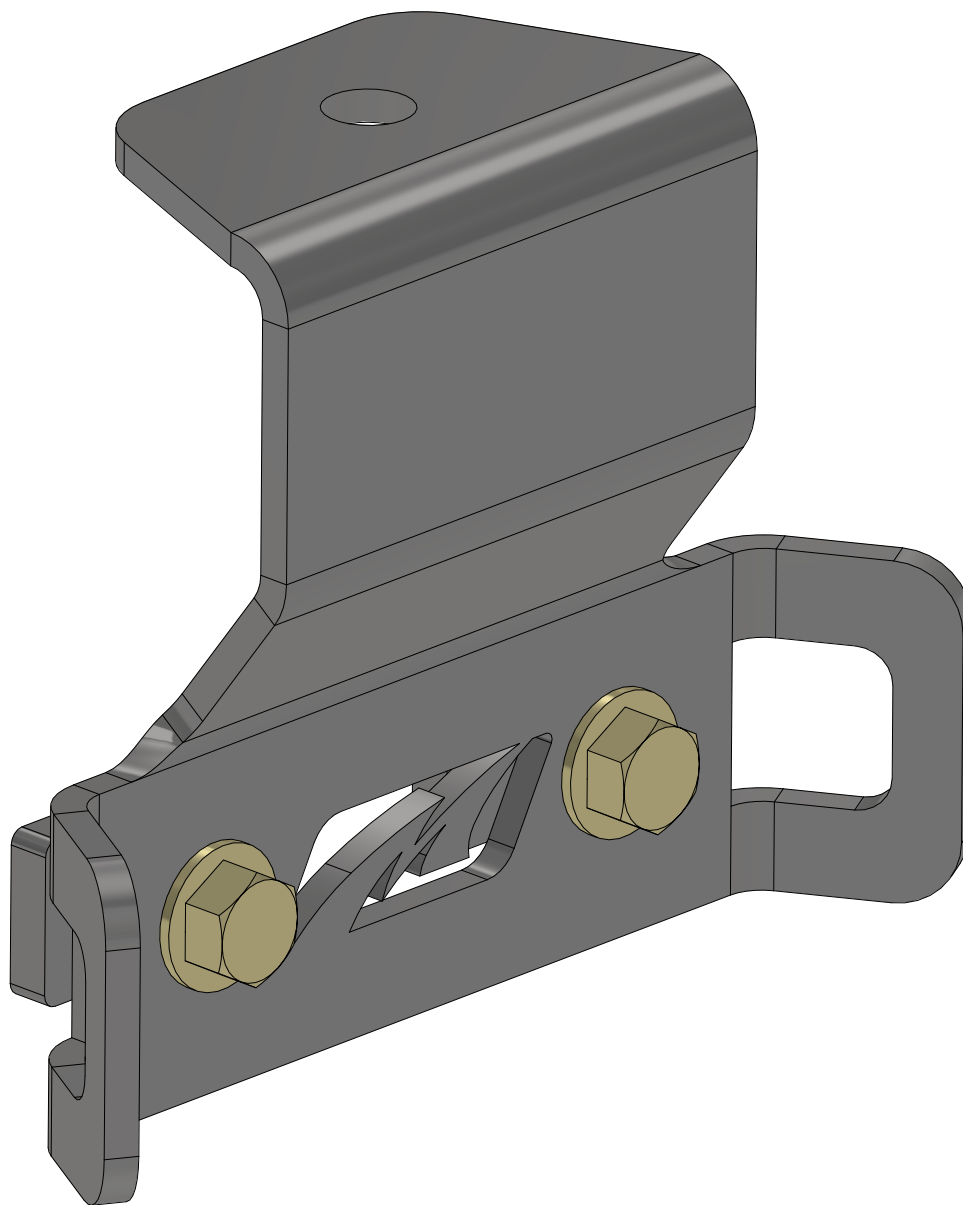
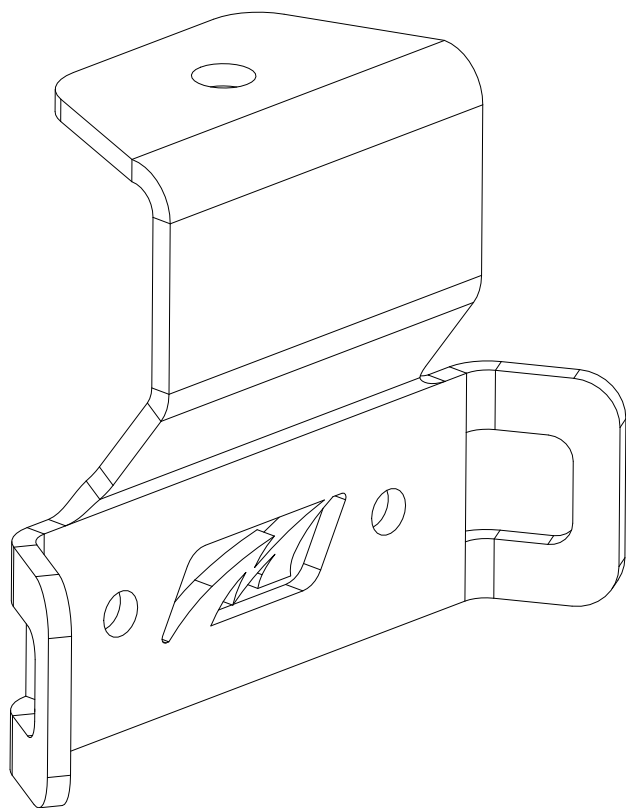
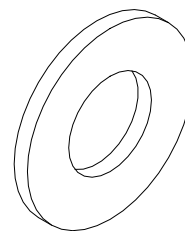


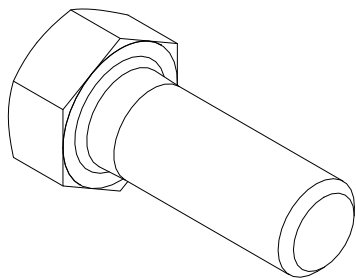
**MB2144 - Assembly Instructions Bed Rail CB Antenna Mount For JT Gladiator****MB2144 - CB ANTENNA  
MOUNT****ASSEMBLY INSTRUCTIONS**

**MB2144 - Shipping Bed Rail CB Antenna Mount For JT Gladiator****CONTENTS**

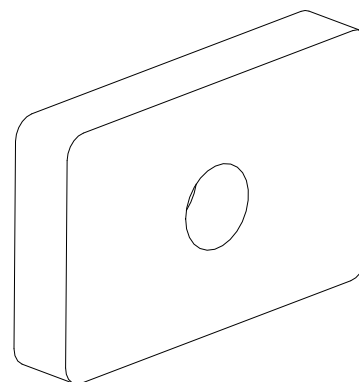
**MB2144**  
Qty 1



**3/8" FLAT WASHER**  
Qty 2



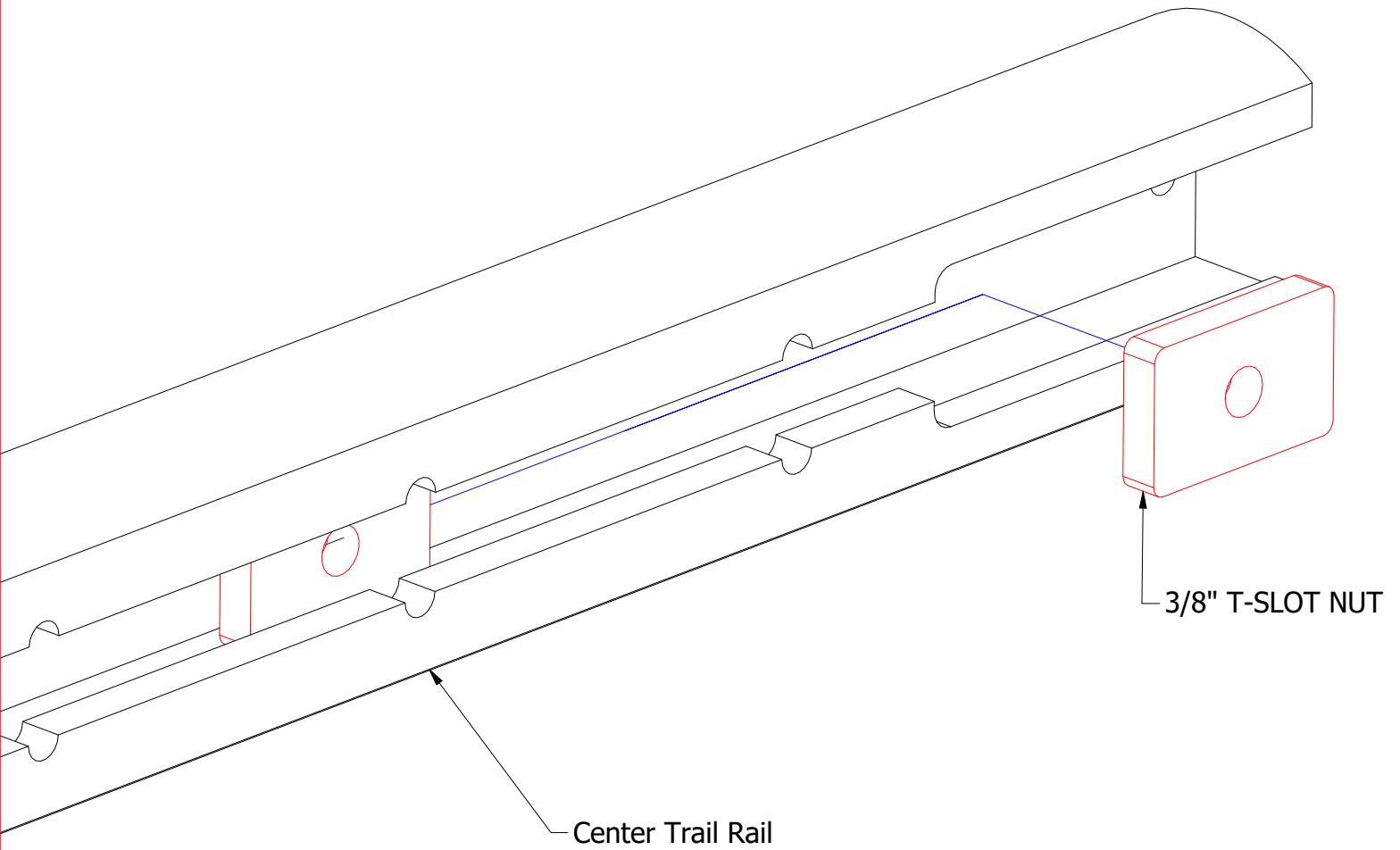
**3/8"-16 UNC x 1" HEX BOLT**  
Qty 2



**MB2149**  
**3/8" T-SLOT NUT**  
Qty 2

**MB2144 - Assembly Instructions Bed Rail CB Antenna Mount For JT Gladiator**

**ASSEMBLY STEP 1**



**MB2144 - Assembly Instructions Bed Rail CB Antenna Mount For JT Gladiator**

**ASSEMBLY STEP 2**

