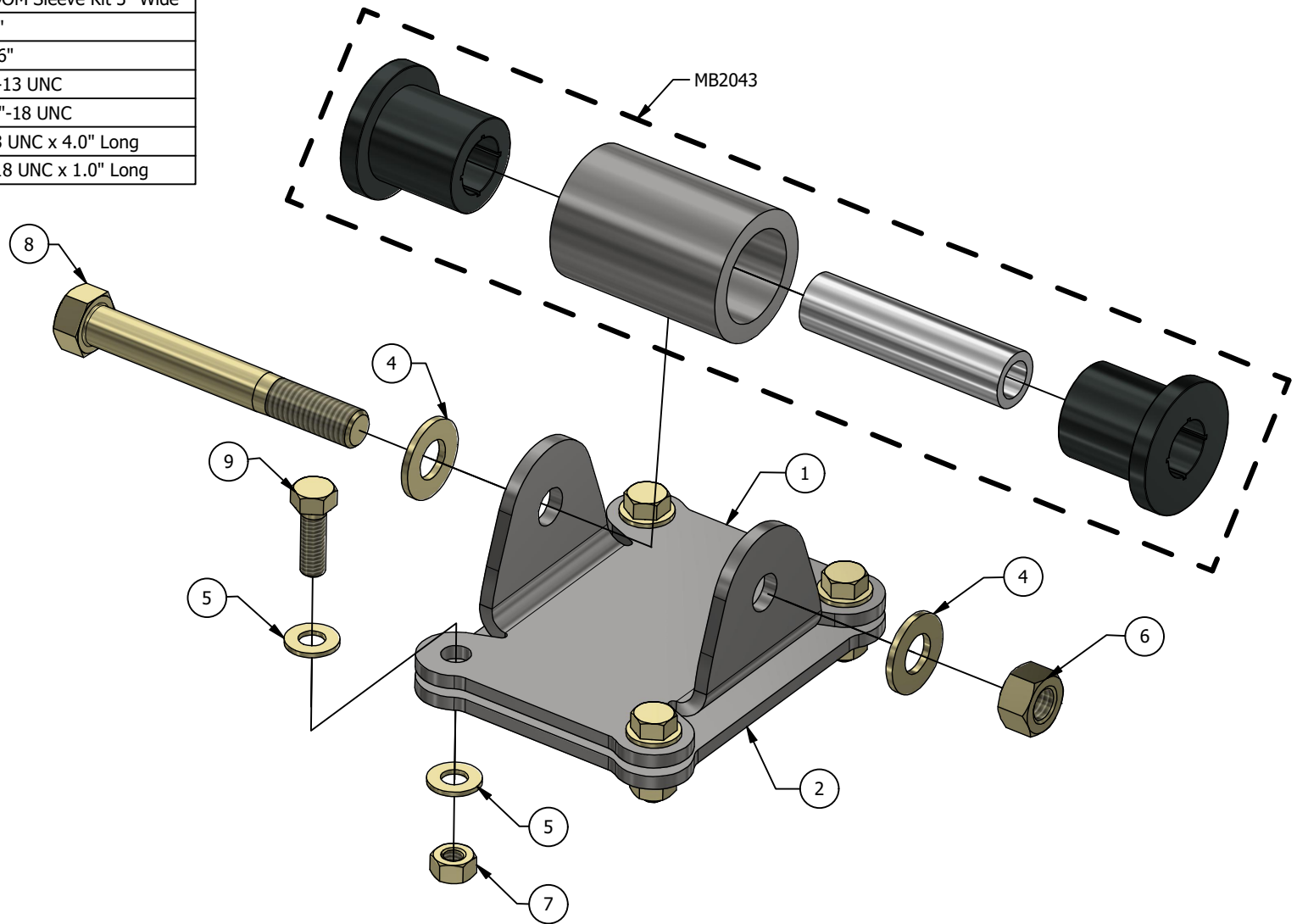


## PARTS LIST

ITEM	QTY	PART NUMBER	DESCRIPTION
1	1	MB2138	Plate MB2138
2	1	MB2007	Plate MB2007
3	1	MB2043	Poly Bushing & DOM Sleeve Kit 3" Wide
4	2		Flat Washer, 1/2"
5	8		Flat Washer, 5/16"
6	1		Nylock Nut, 1/2"-13 UNC
7	4		Nylock Nut, 5/16"-18 UNC
8	1		Hex Bolt, 1/2"-13 UNC x 4.0" Long
9	4		Hex Bolt, 5/16"-18 UNC x 1.0" Long



Dwg/Part No:

**MB2138 - Shipping**

Description:

**Roll Cage Tie-in with Poly Bushing Kit**

Mat'l:

 Sheet No: **1** of **1**

 Rev No: **0**