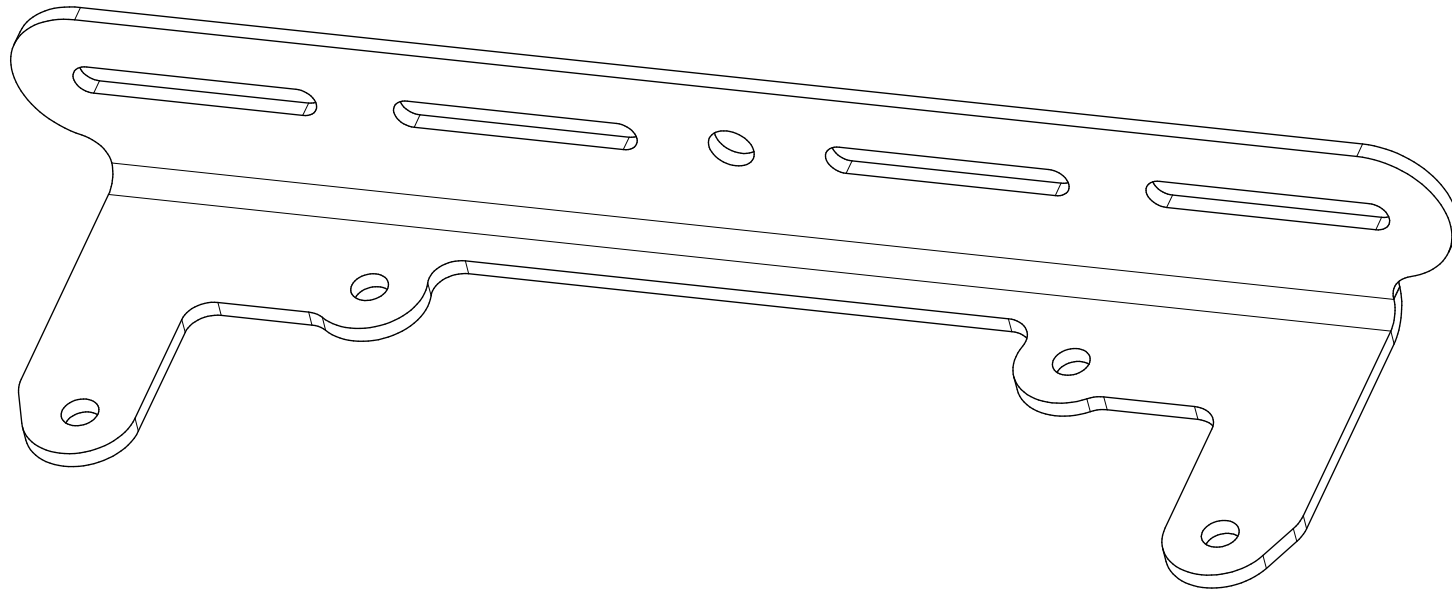


REUSED FACTORY HARDWARE FOR INSTALLATION



Dwg/Part No:
MB2130

Description:
JK Light Mount for MB1044

Sheet No: **1** of **1**
Rev No: **0**

Mat'l: **3/16" Steel**