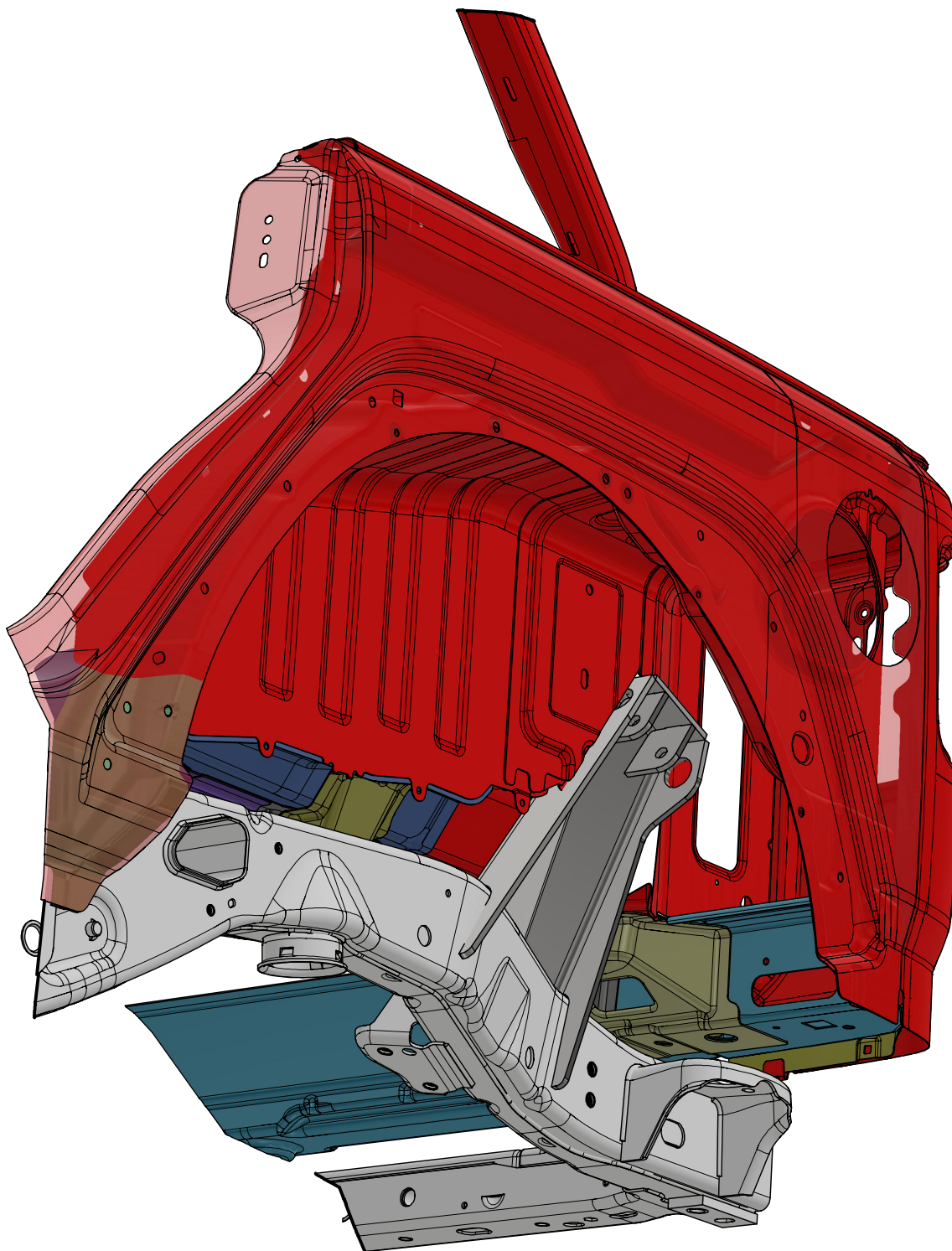
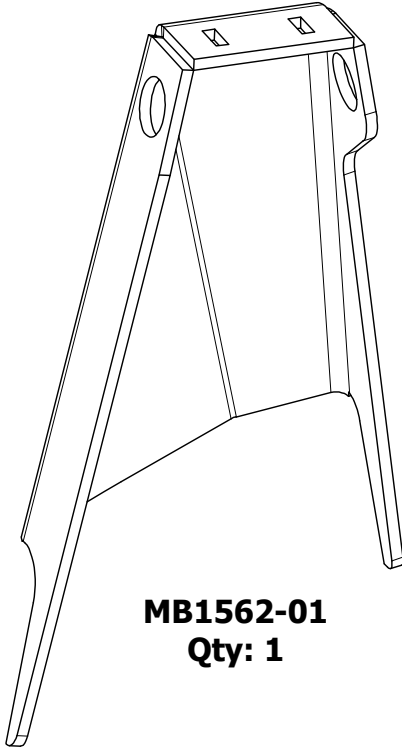


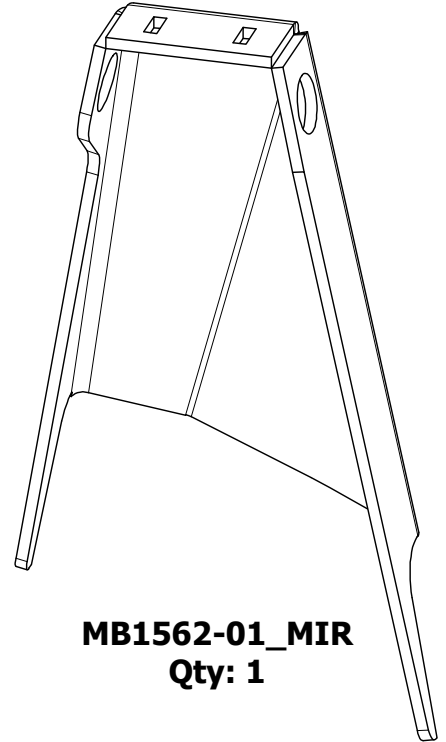
REAR UPPER SHOCK MOUNTS - JL/JLU



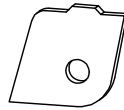
ASSEMBLY INSTRUCTIONS

MB1562 - Assembly Instructions Rear Upper Shock Mounts - JL/JLU**KIT COMPONENTS**

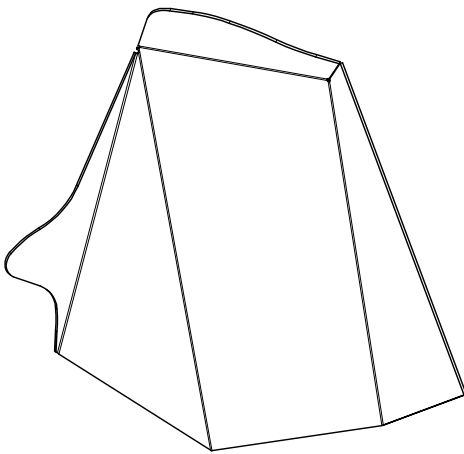
MB1562-01
Qty: 1



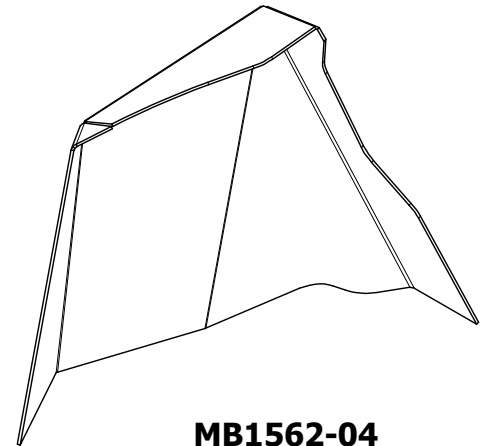
MB1562-01_MIR
Qty: 1



MB1562-02
Qty: 4



MB1562-03
Qty: 1

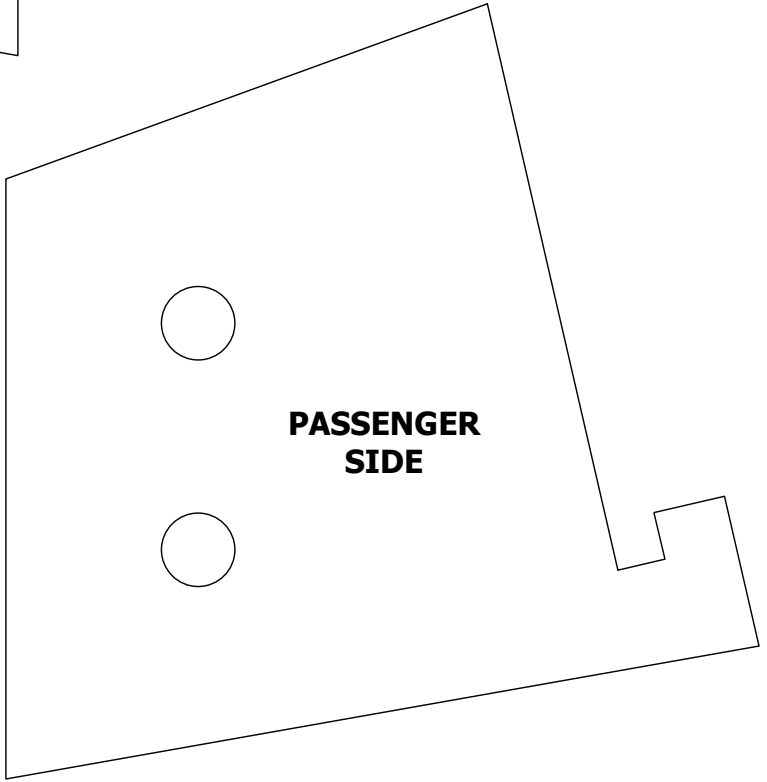
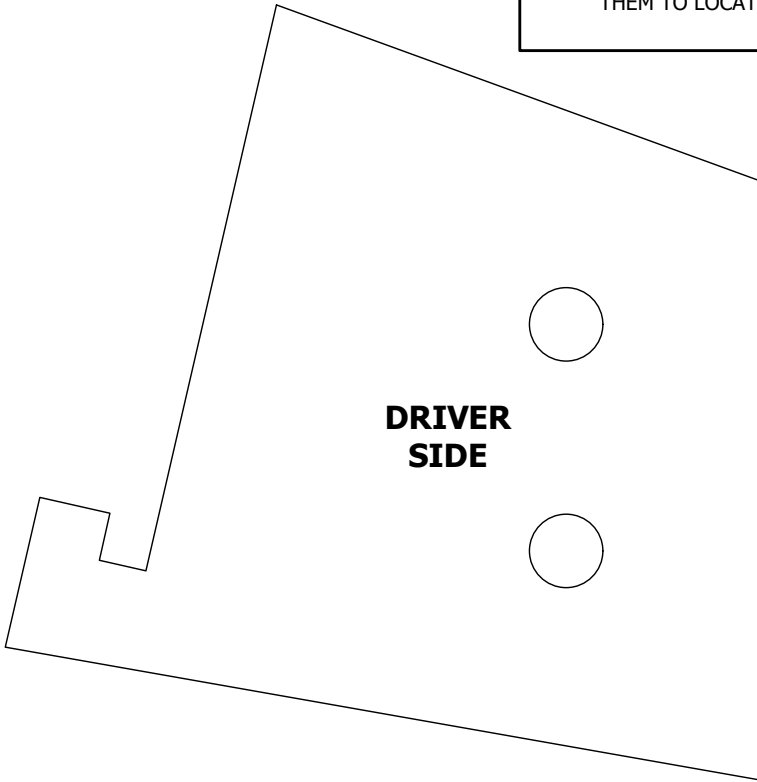


MB1562-04
Qty: 1

MB1562 - Assembly Instructions Rear Upper Shock Mounts - JL/JLU

LOCATOR

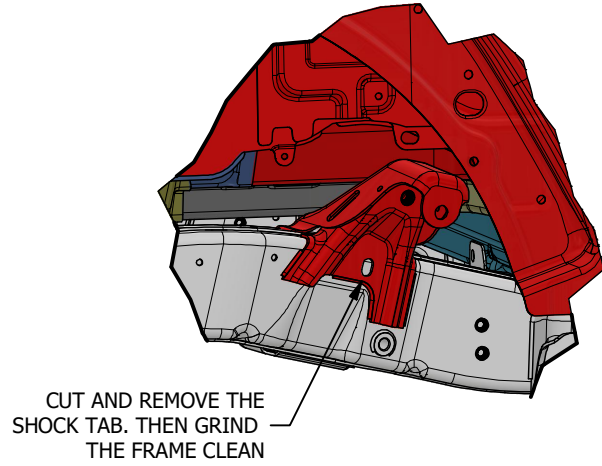
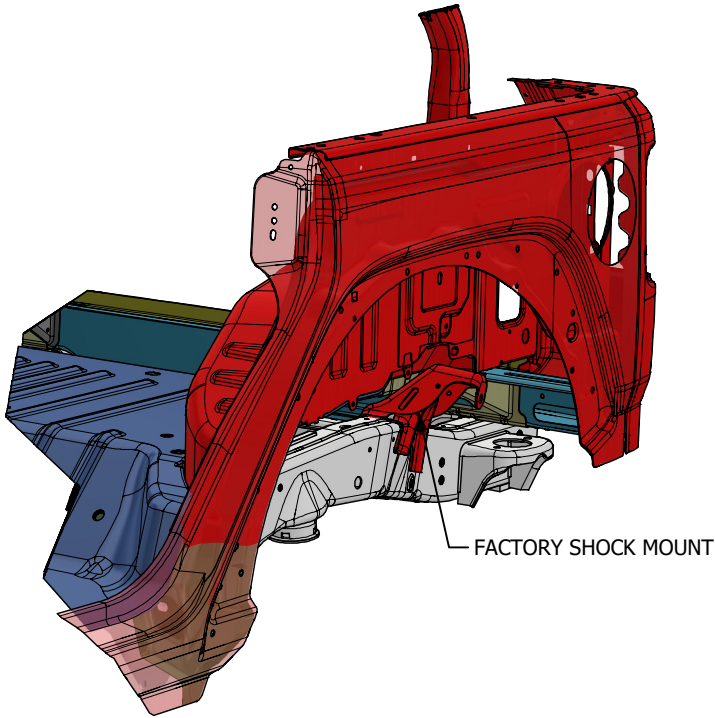
PRINT TEMPLATE FULL SIZE - CUT OUT THE TEMPLATES AND USE THEM TO LOCATE THE SHOCK TOWER ON THE FRAME



MB1562 - Assembly Instructions Rear Upper Shock Mounts - JL/JLU

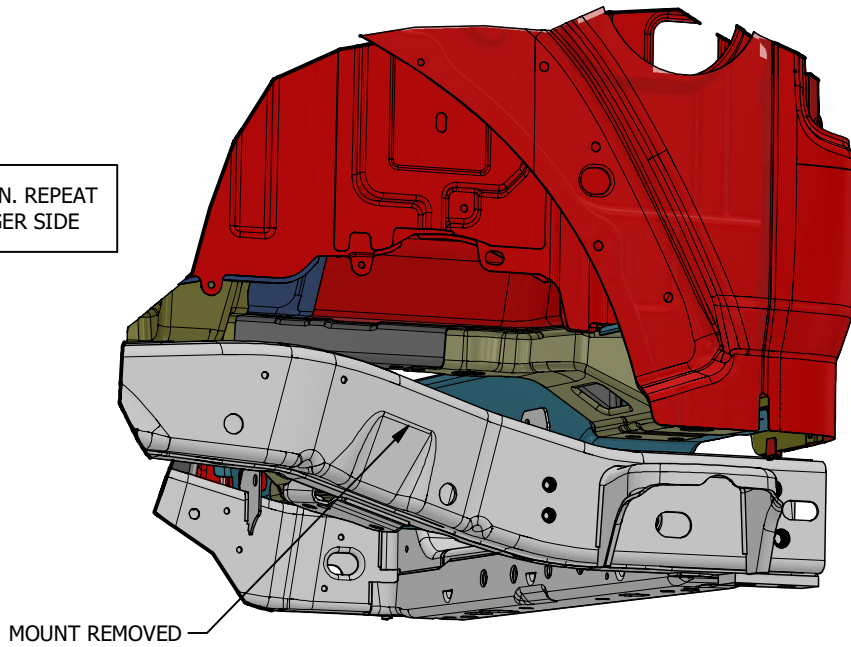
BRACKET REMOVAL

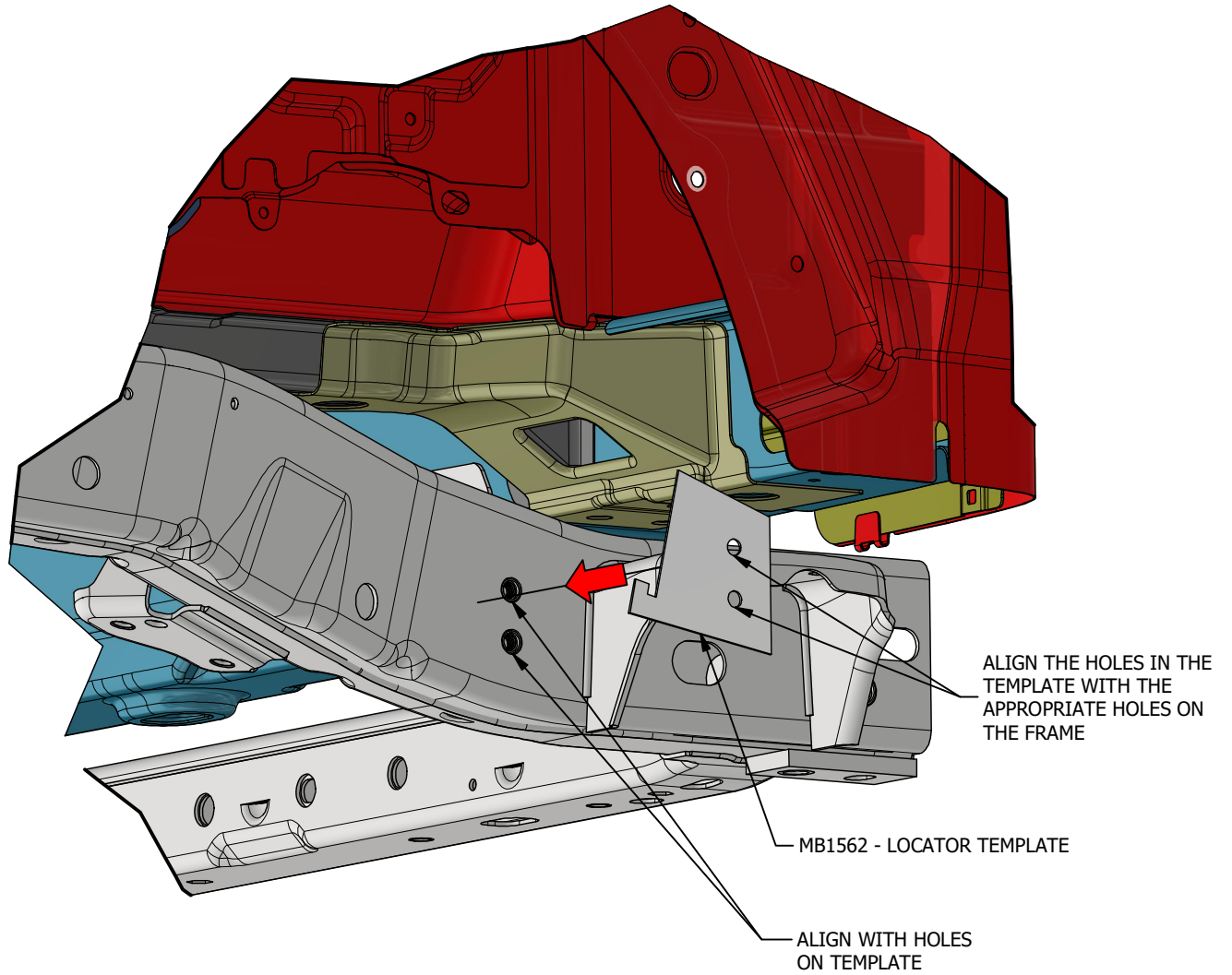
BEFORE



AFTER

DRIVER SIDE SHOWN. REPEAT STEP ON PASSENGER SIDE

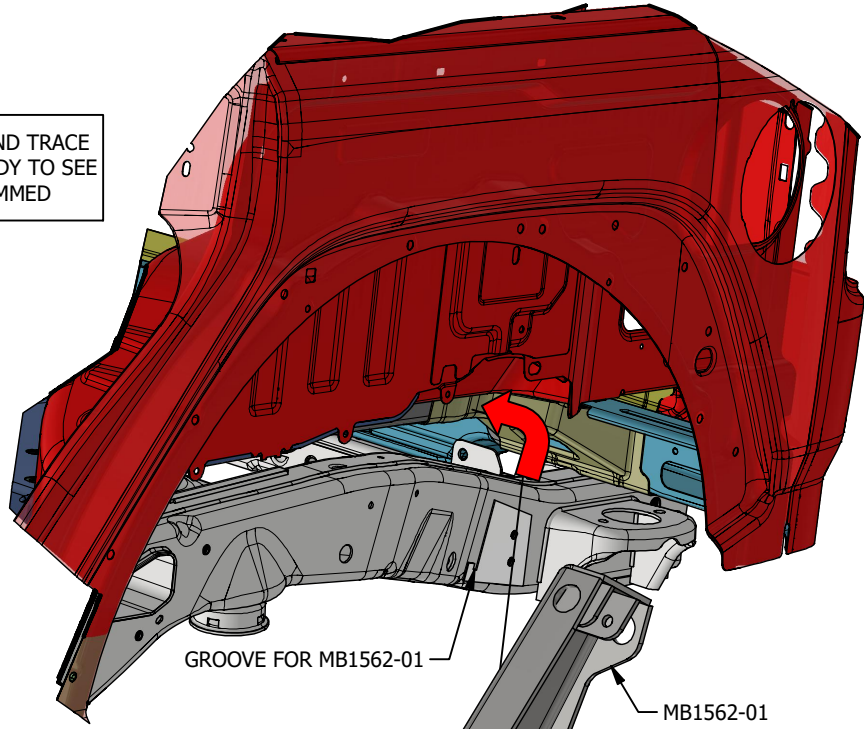


MB1562 - Assembly Instructions Rear Upper Shock Mounts - JL/JLU**INSTALLATION**

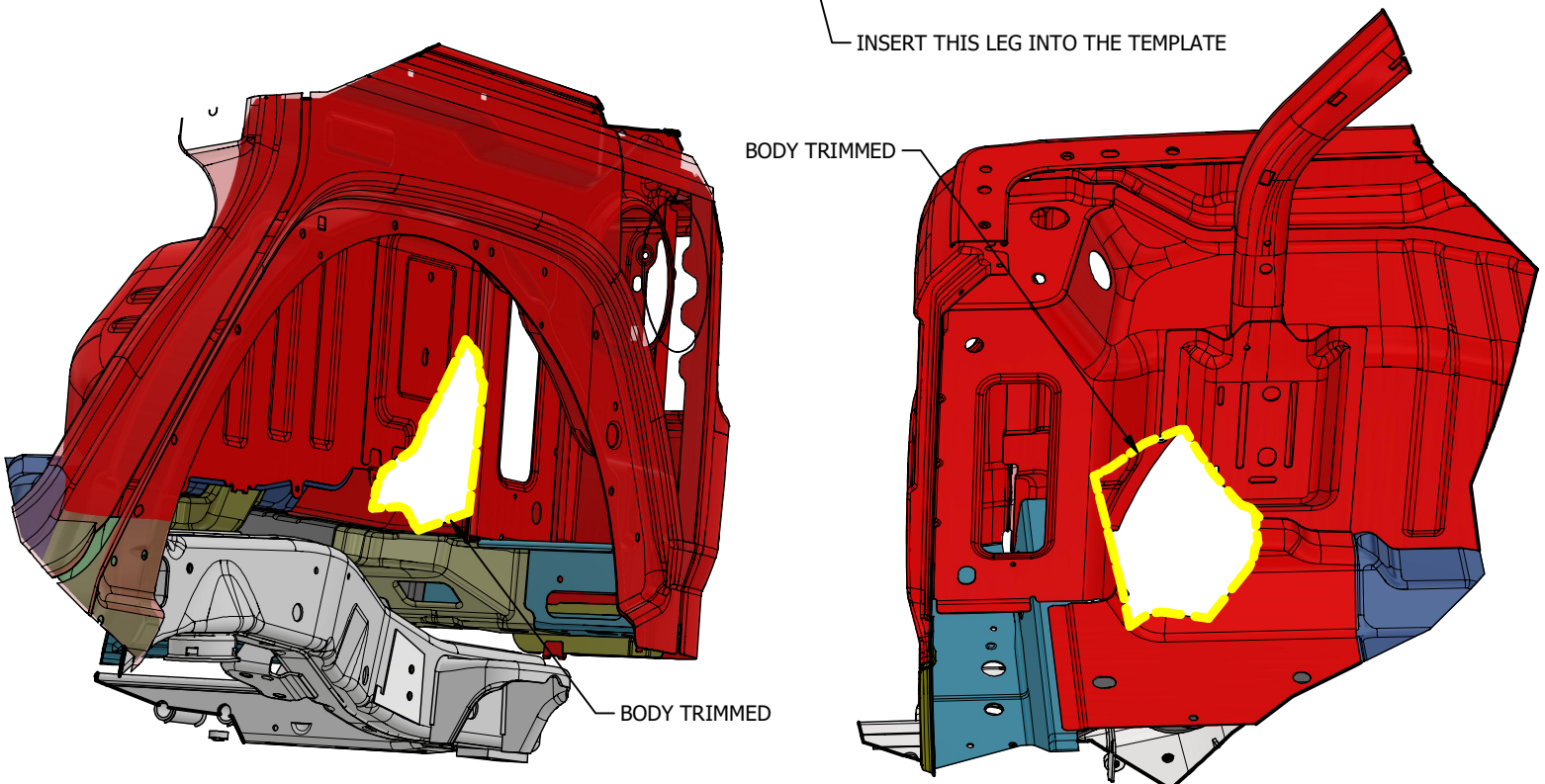
MB1562 - Assembly Instructions Rear Upper Shock Mounts - JL/JLU

TRIMMING THE BODY

MOCK MB1562-01 INTO PLACE AND TRACE AROUND THE TOWER ON THE BODY TO SEE WHERE IT NEEDS TO BE TRIMMED

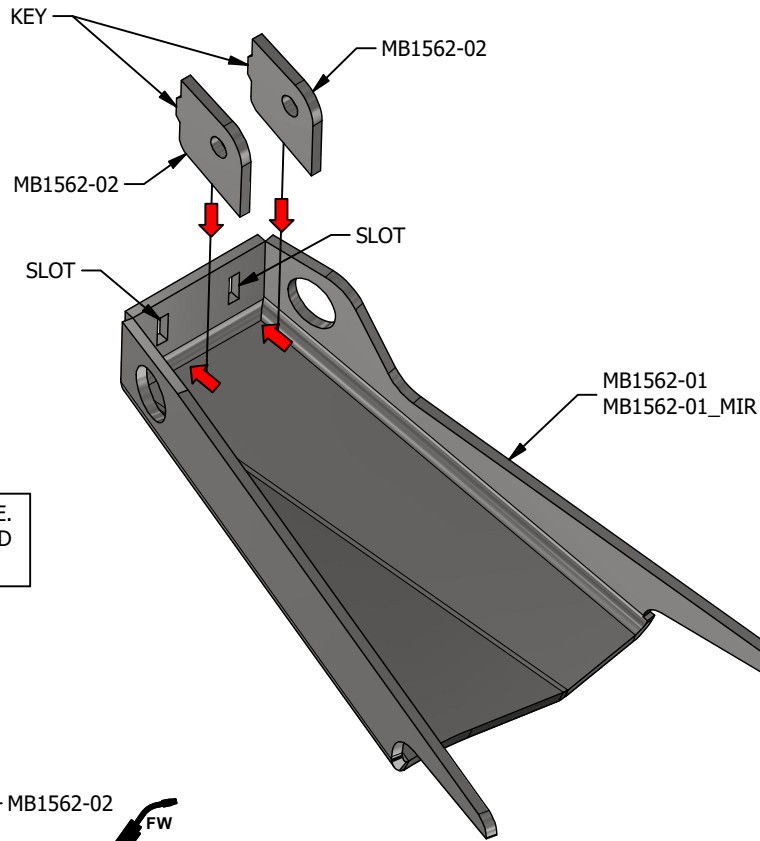


INSERT THIS LEG INTO THE TEMPLATE

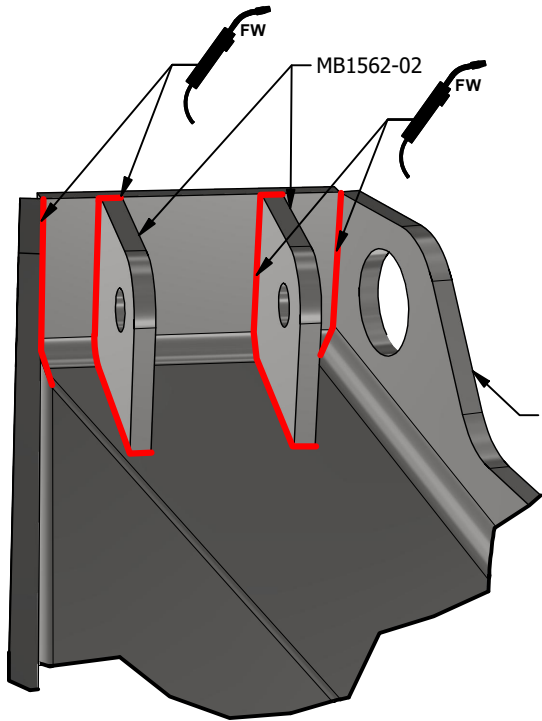


MB1562 - Assembly Instructions Rear Upper Shock Mounts - JL/JLU

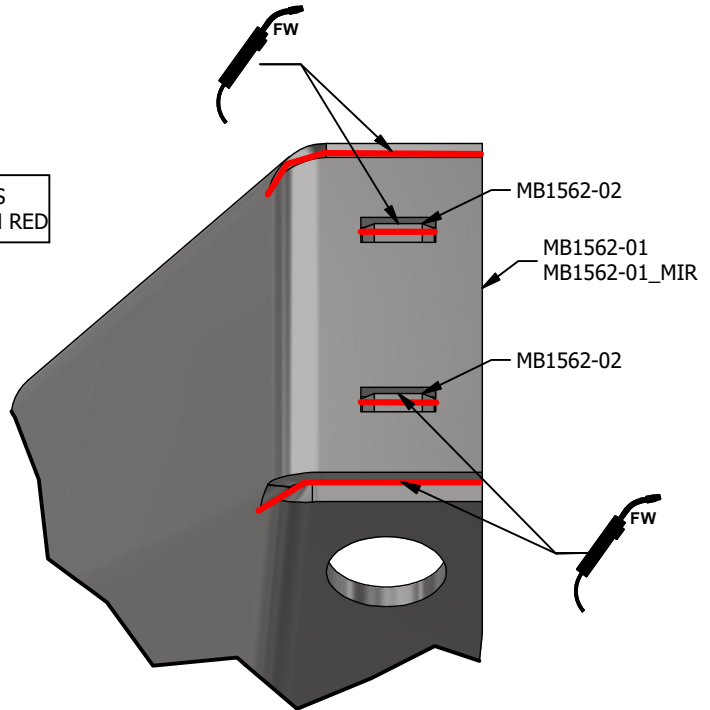
TOWER WELD



PERFORM THIS STEP TWICE.
ONCE WITH MB1562-01 AND
MB1562-01_MIR

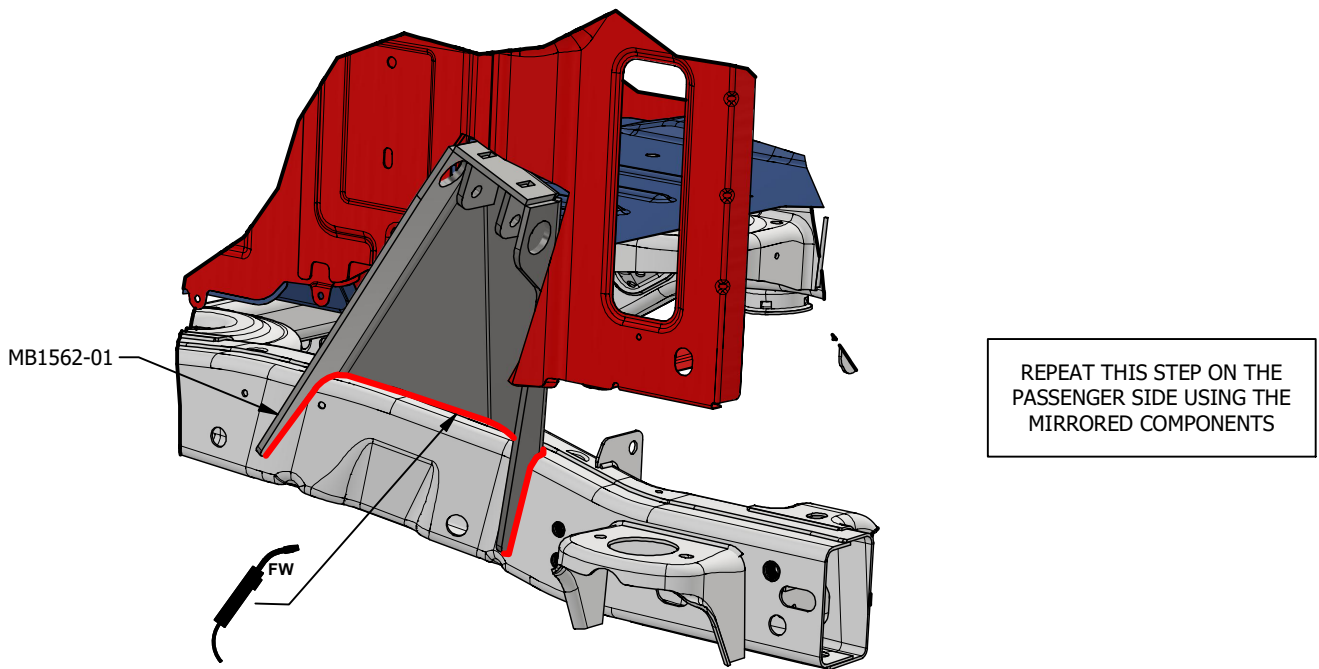
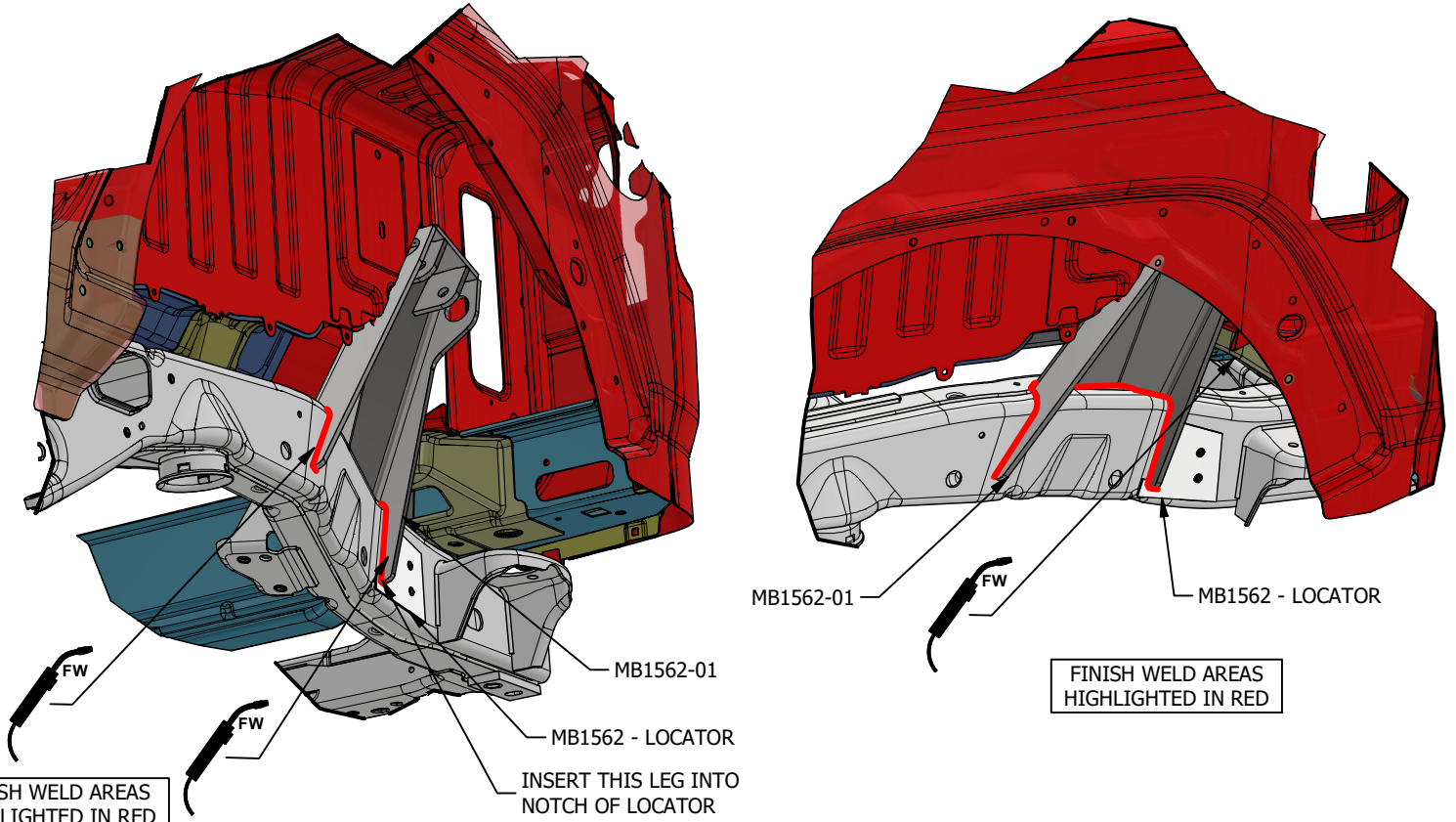


WELD AREAS
HIGHLIGHTED IN RED



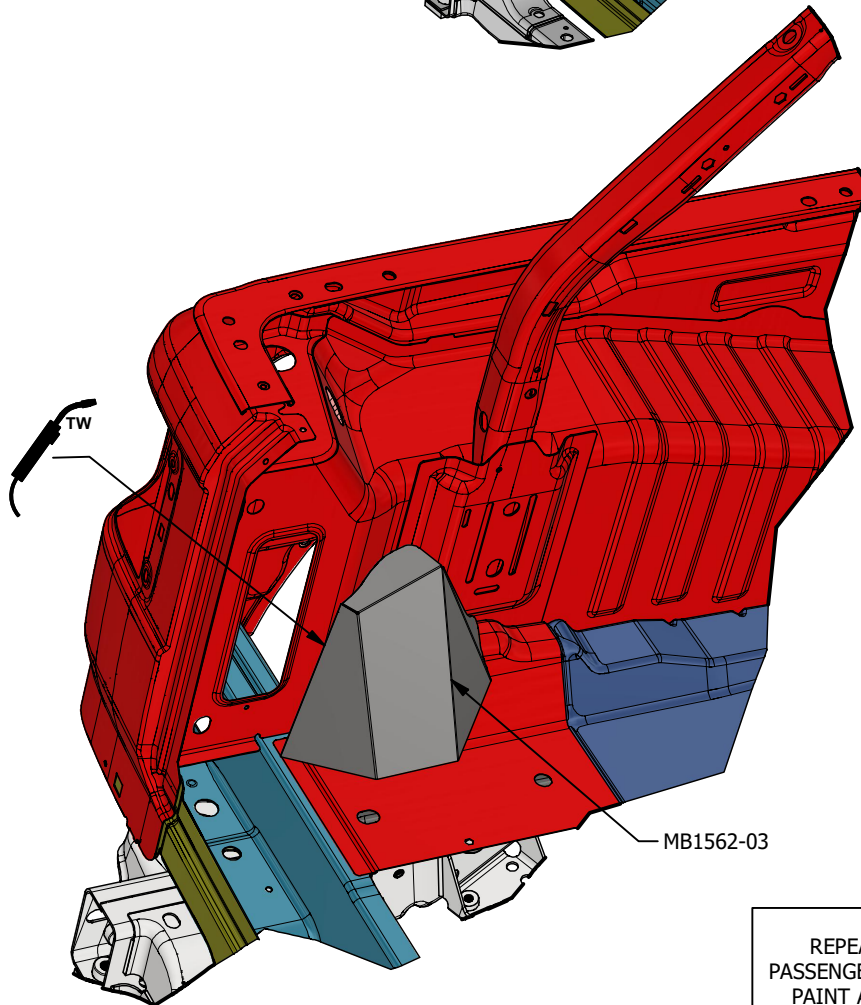
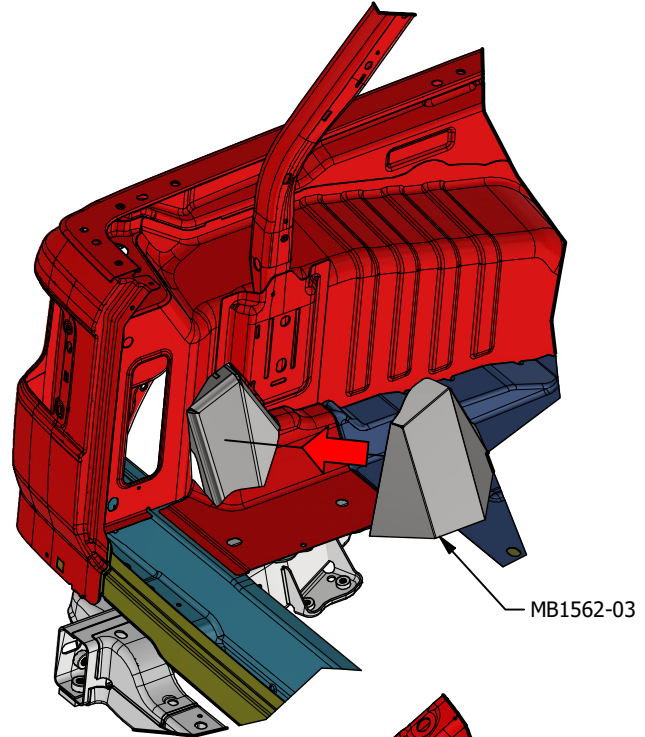
MB1562 - Assembly Instructions Rear Upper Shock Mounts - JL/JLU

TOWER WELD



MB1562 - Assembly Instructions Rear Upper Shock Mounts - JL/JLU**BODY PATCH PANEL**

PAINT THE BACK OF THE SHOCK TOWER BEFORE INSTALLING MB1562-03



STITCH WELD THE PERIMETER MB1562-03 TO THE BODY BEING CAREFUL NOT TO WARP THE METAL

REPEAT THIS STEP ON THE PASSENGER SIDE WITH MB1562-04. PAINT ALL EXPOSED METAL TO PROTECT IT FROM CORROSION