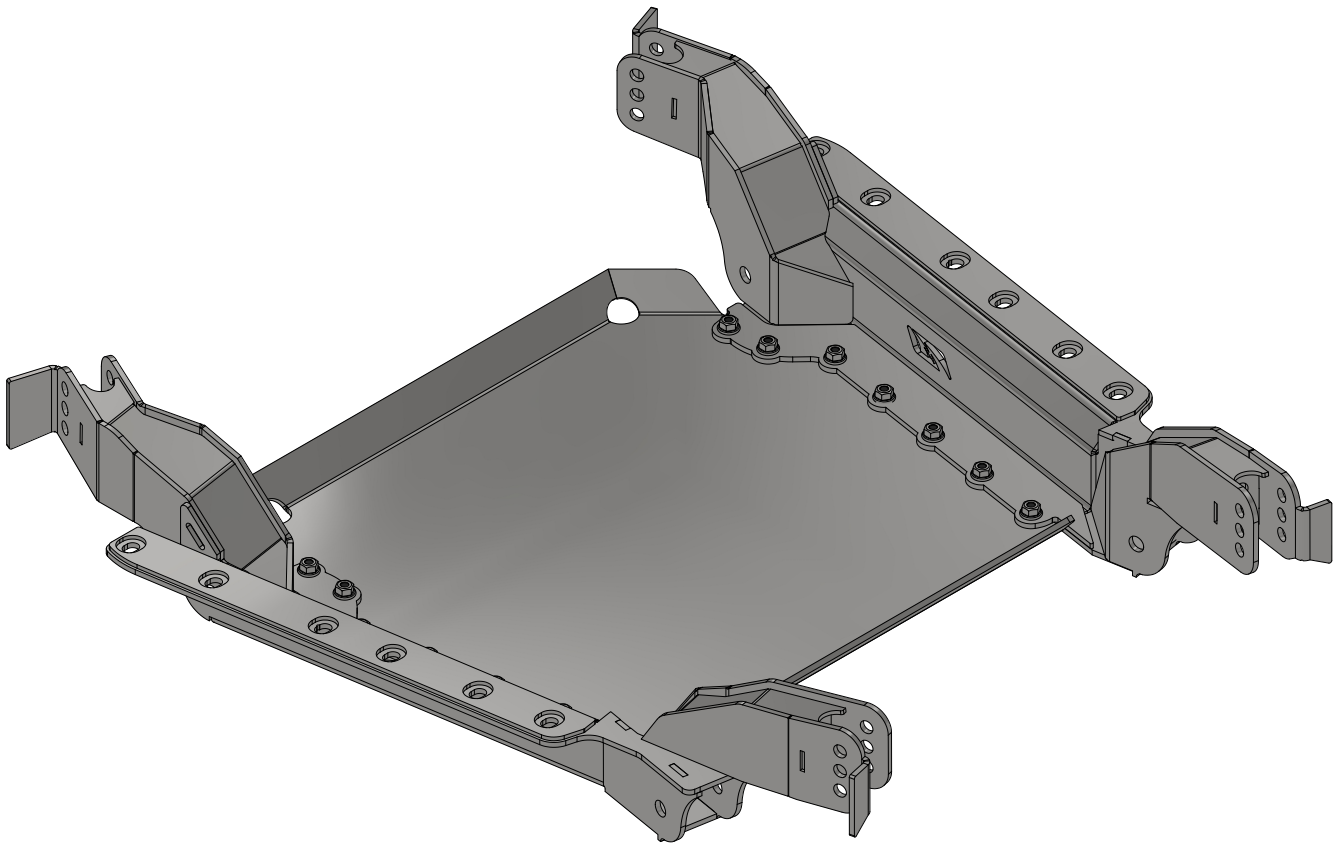
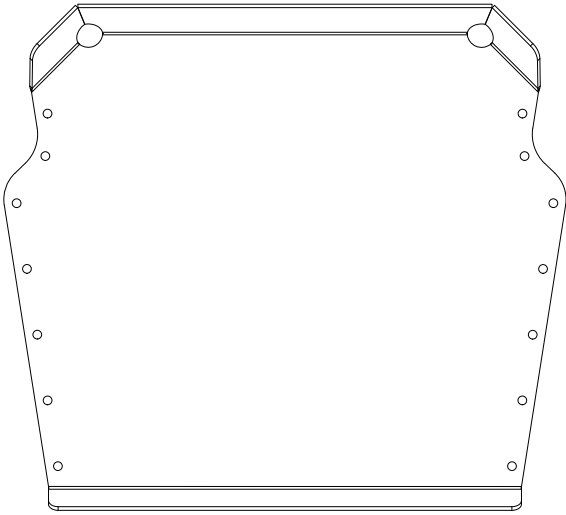


# **MB1517 - 4 LINK SUSPENSION MOUNTING KIT FOR TJ/LJ**

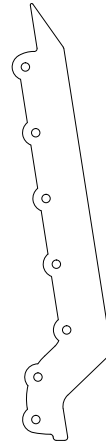


## **ASSEMBLY INSTRUCTIONS**

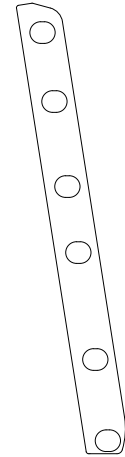
**MB1517 - Shipping Jeep TJ 4 Link Suspension Mount Kit w/Skid**



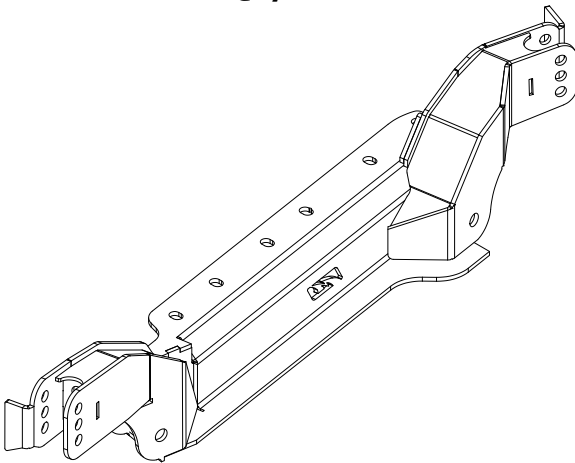
**MB1517-15**  
Qty 1



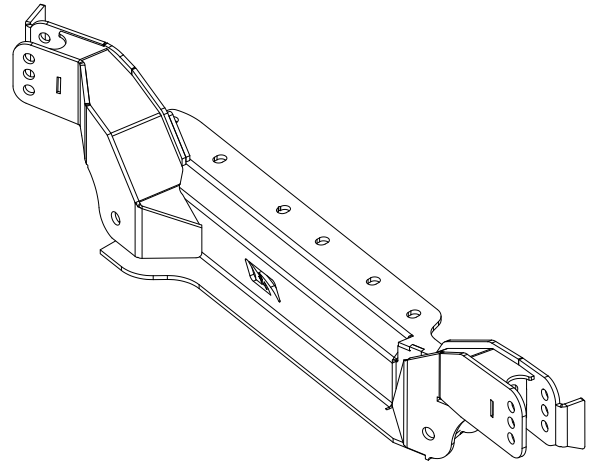
**MB1517-03**  
Qty 2



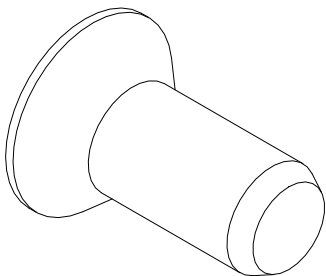
**MB1517-02**  
Qty 2



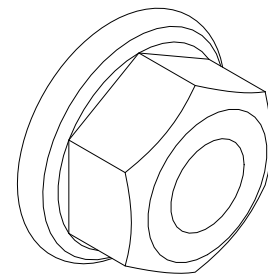
**MB1517 - PASSENGER SIDE**  
Qty 1



**MB1517 - DRIVER SIDE**  
Qty 1



**7/16 x 1" BLACK OXIDE  
FLAT HEAD SOCKET CAP SCREW**  
Qty 14

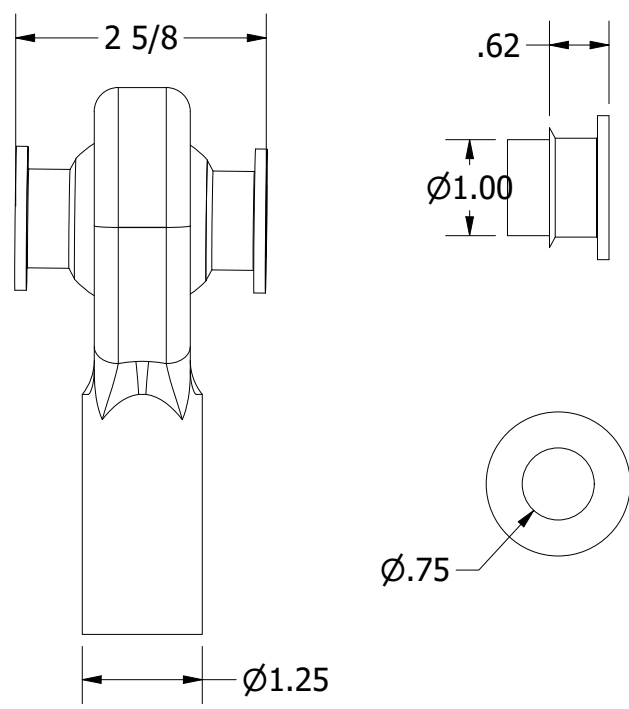


**7/16" FLANGED LOCK NUT**  
Qty 14

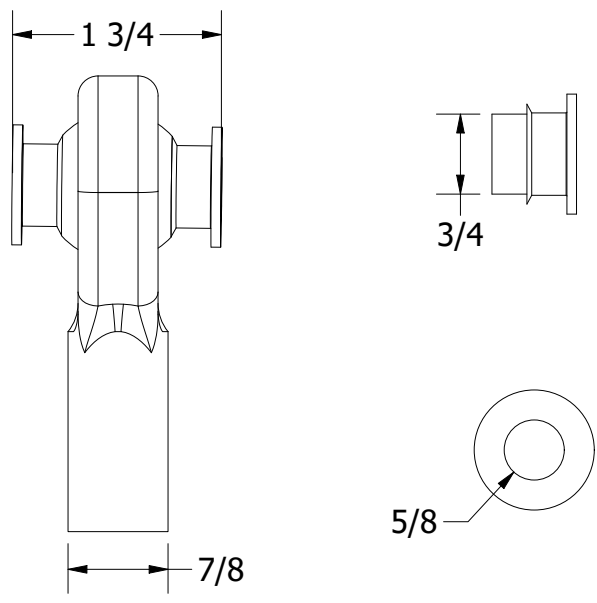
**HEIM JOINT FOR 4 LINK SUSPENSION**

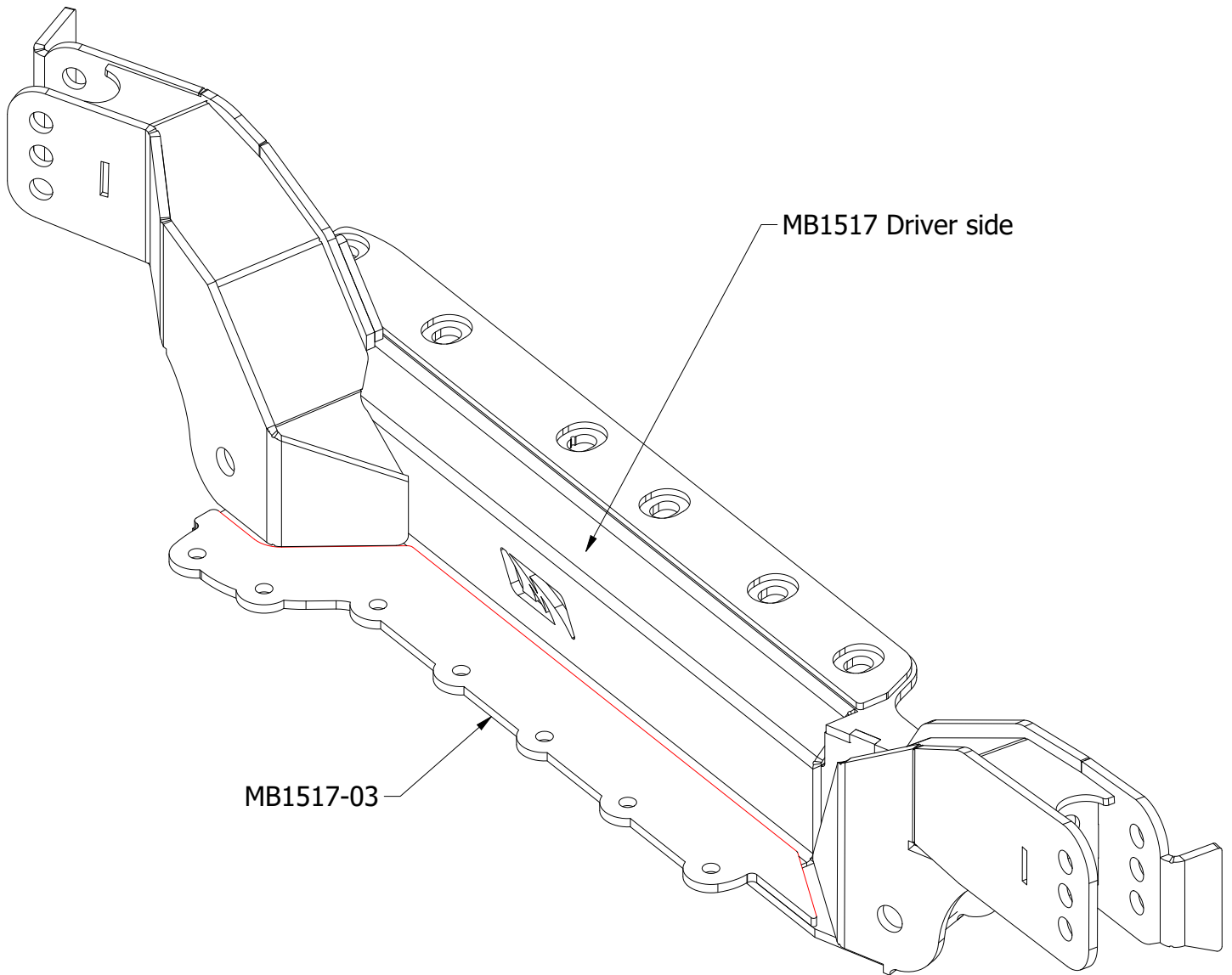
**RECOMMENDED HEIM JOINT SIZES  
FOR MB1517**

**LOWER 4 LINK SUSPENSION HEIM JOINT**



**UPPER 4 LINK SUSPENSION HEIM JOINT**

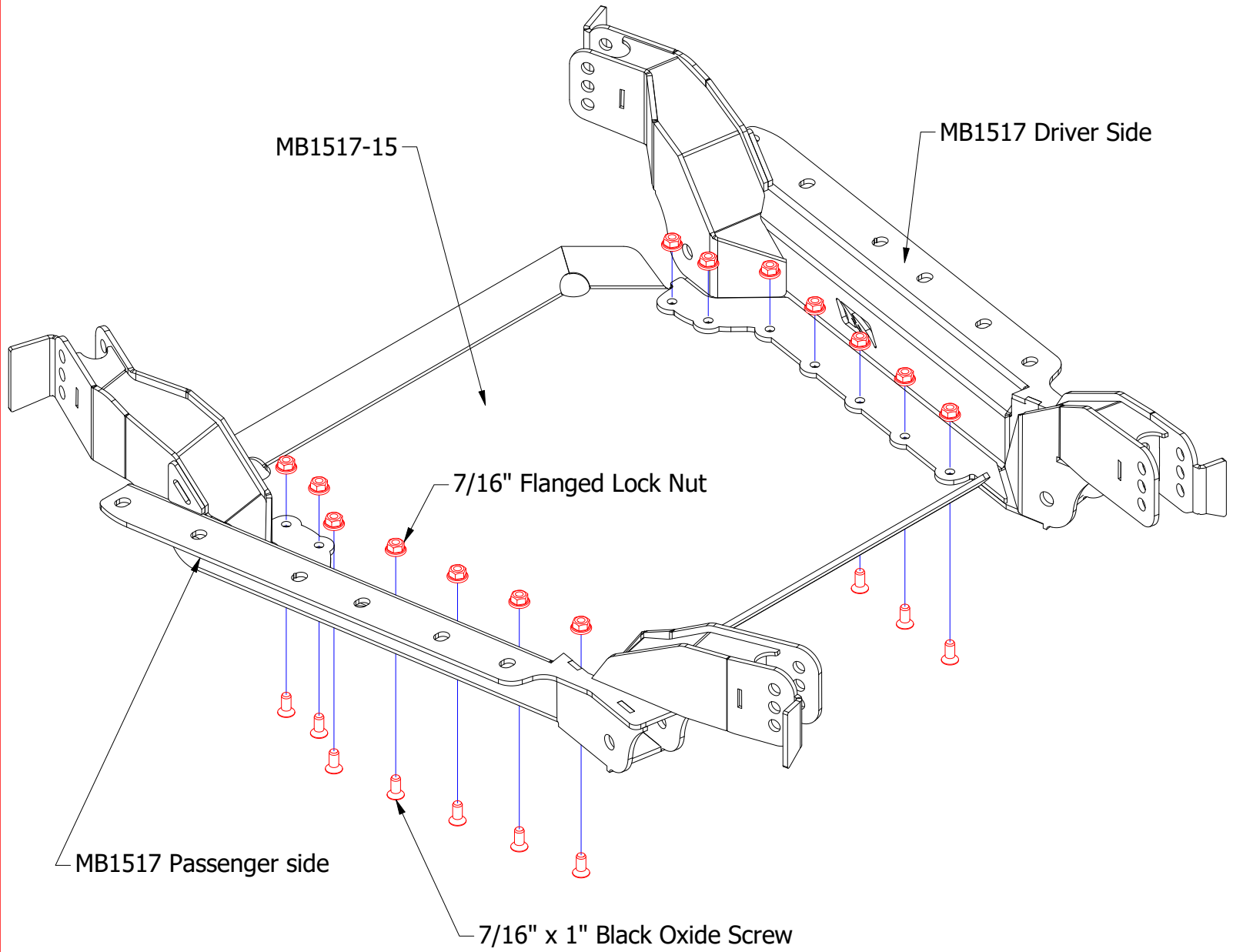


**MB1517 - Assembly Instructions Jeep TJ 4 Link Suspension Mount Kit w/Skid****ASSEMBLY STEP 1**

**TEMPORALLY TACK WELD MB1517-03  
TO MB1517 DRIVER SIDE, AND  
REPEAT FOR PASSENGER SIDE**

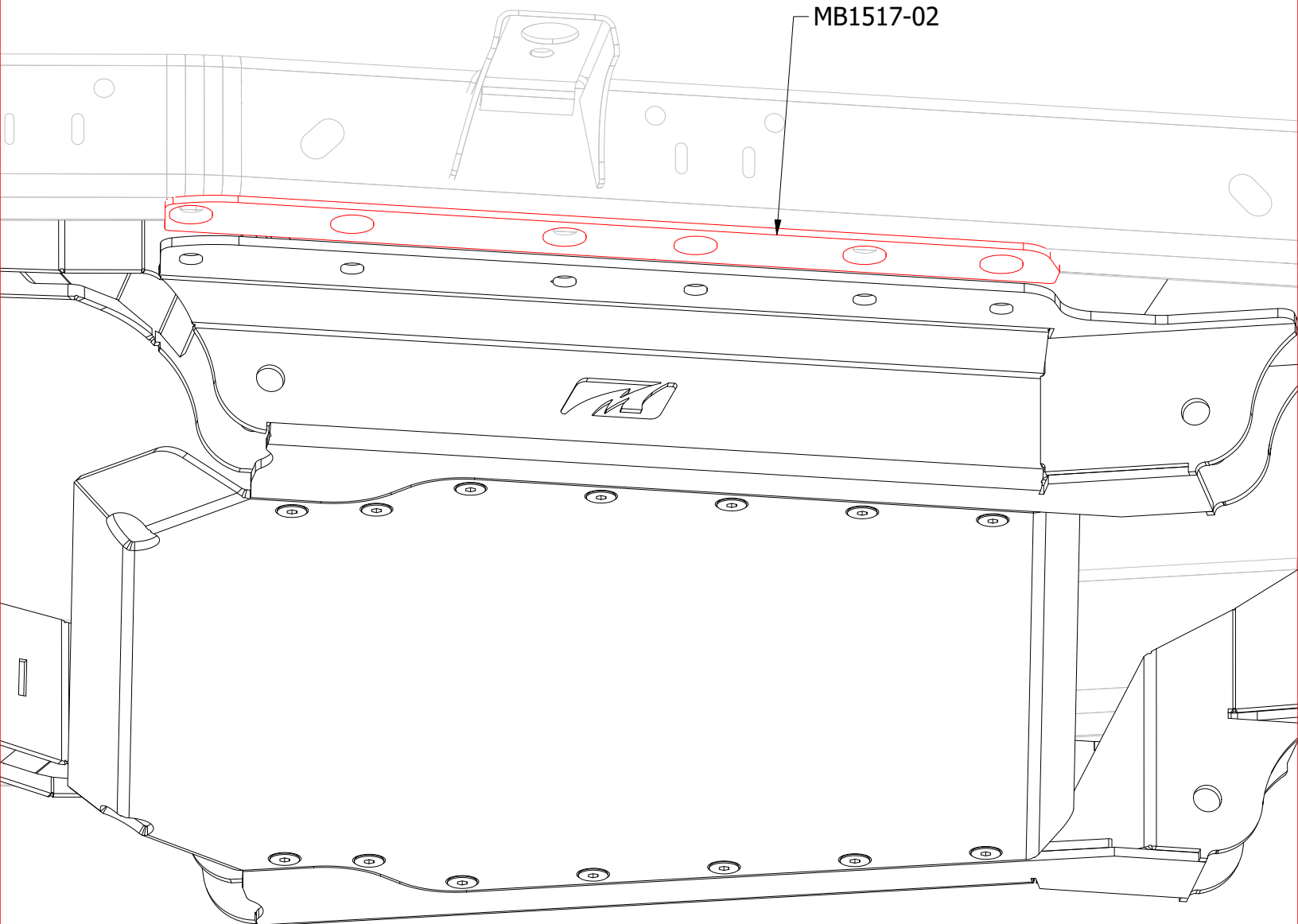
**MB1517 - Assembly Instructions Jeep TJ 4 Link Suspension Mount Kit w/Skid**

**ASSEMBLY STEP 2**



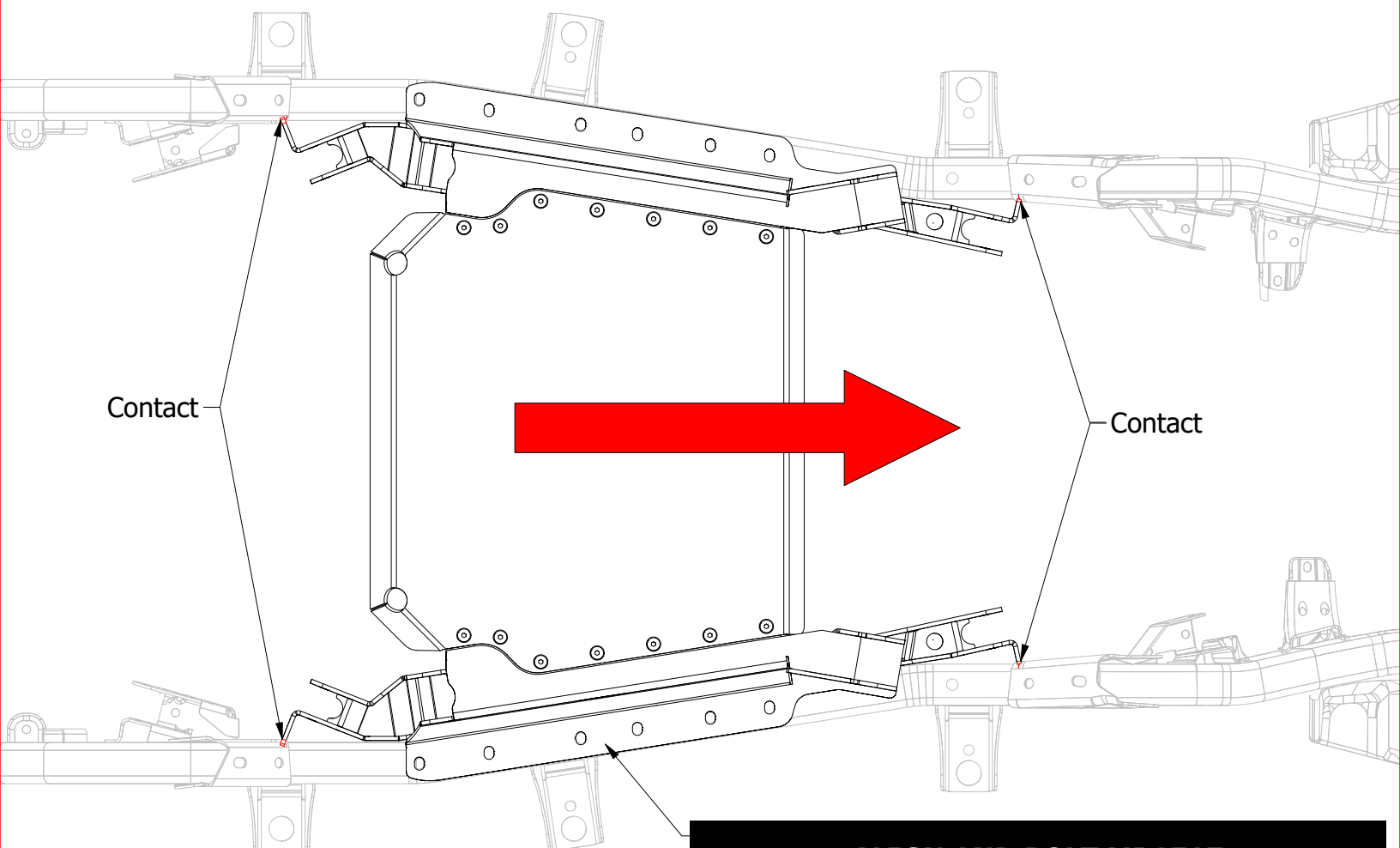
**MB1517 - Assembly Instructions Jeep TJ 4 Link Suspension Mount Kit w/Skid****ASSEMBLY STEP 3**

**NOTE: MB1517-02 IS A SPACER INCLUDED TO FILL THE GAP MADE BY PROTRUDING NUTS. ALTERNATIVELY THE NUTS CAN BE GROUND DOWN FOR A FLUSH FIT**



**MB1517 - Assembly Instructions Jeep TJ 4 Link Suspension Mount Kit w/Skid****ASSEMBLY STEP 4**

**LIFT THE ASSEMBLY INTO FRAME, THEN PUSH FORWARD UNTIL ALL CORNERS TOUCH THE FRAME**



**ALIGN AND BOLT MB1517  
THIS MAY REQUIRE BREAKING TACK WELDS  
NOT ALL HOLES WILL BE USED**

**MB1517 - Assembly Instructions Jeep TJ 4 Link Suspension Mount Kit w/Skid**

**ASSEMBLY STEP 5**

