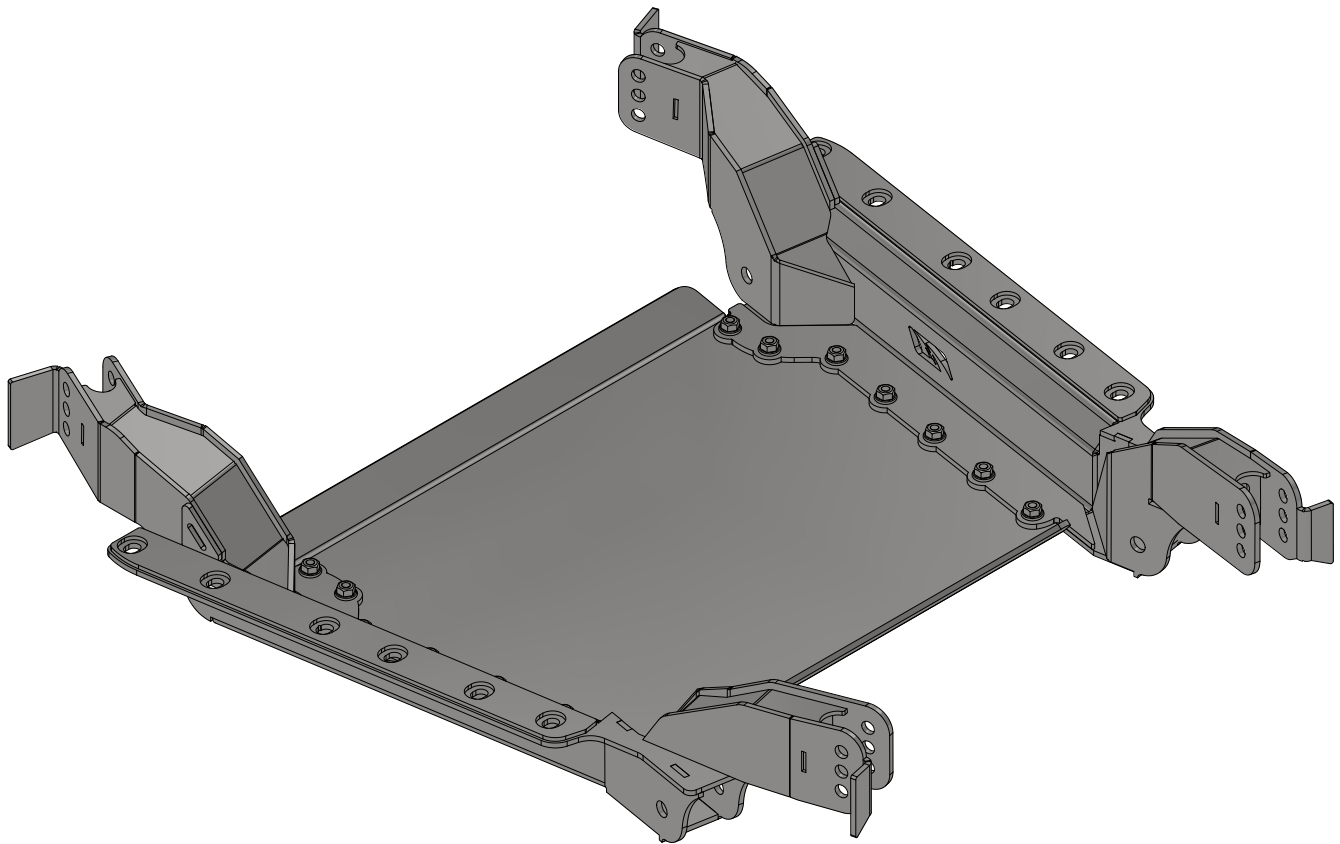
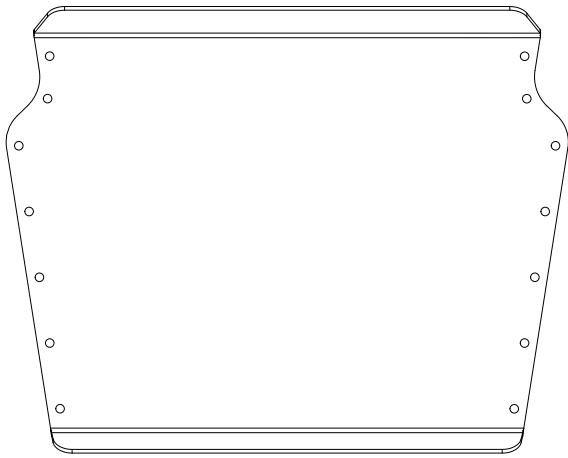
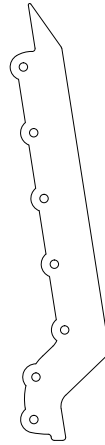


**MB1503 - Assembly Instructions Jeep YJ 4 Link Suspension Mount Kit w/ Skid****MB1503 - 4 LINK SUSPENSION  
MOUNTING KIT FOR JEEP YJ****ASSEMBLY INSTRUCTIONS**

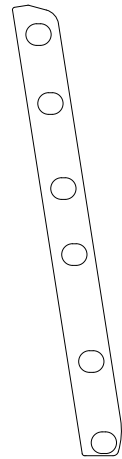
**MB1503 - Shipping Jeep YJ 4 Link Suspension Mount Kit w/ Skid**



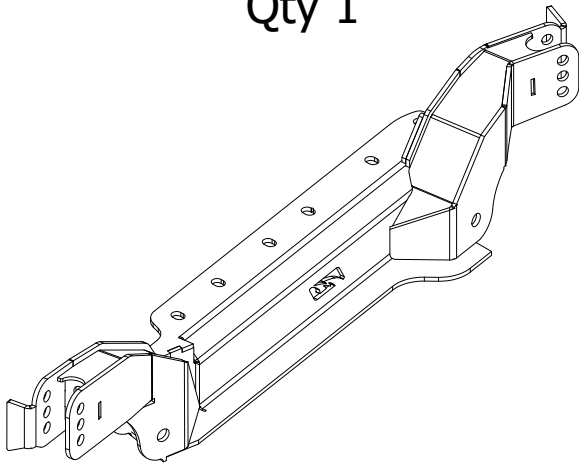
**MB1503-15**  
Qty 1



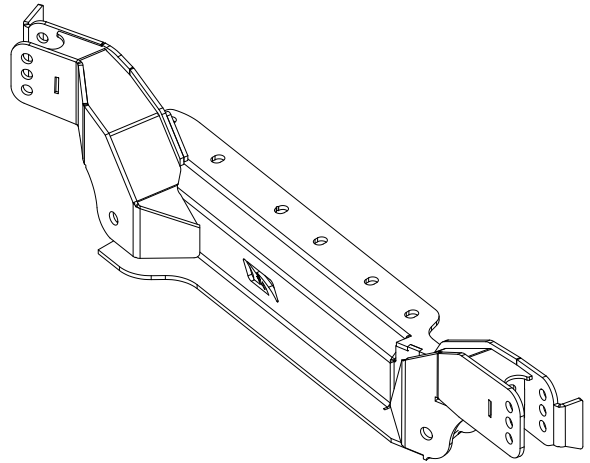
**MB1503-03**  
Qty 2



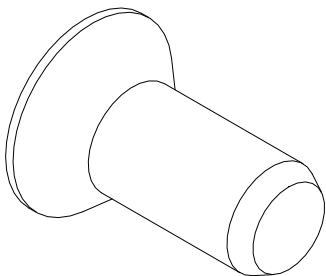
**MB1503-02**  
Qty 2



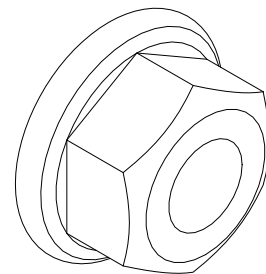
**MB1503 - PASSENGER SIDE**  
Qty 1



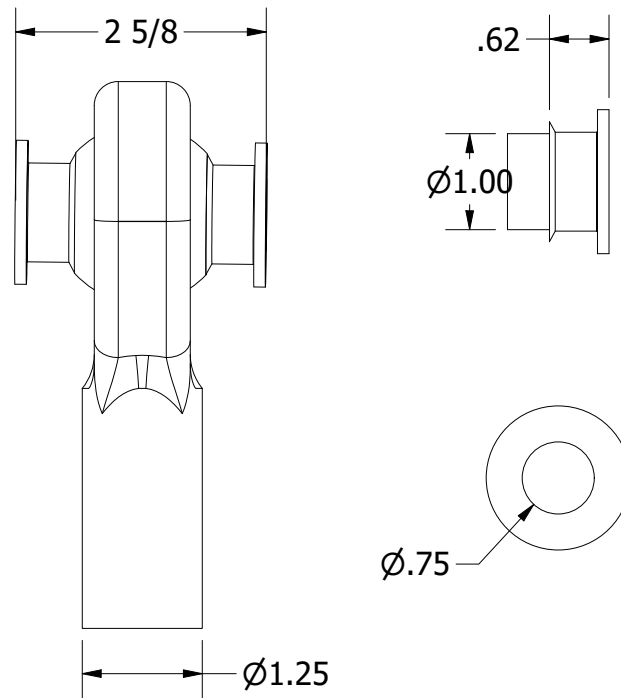
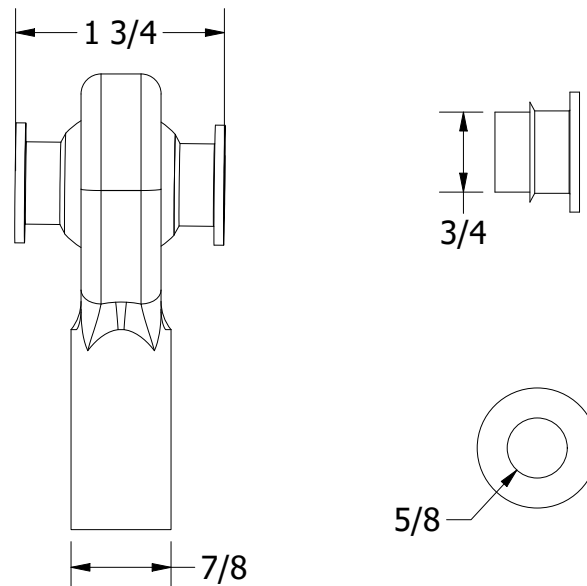
**MB1503 - DRIVER SIDE**  
Qty 1

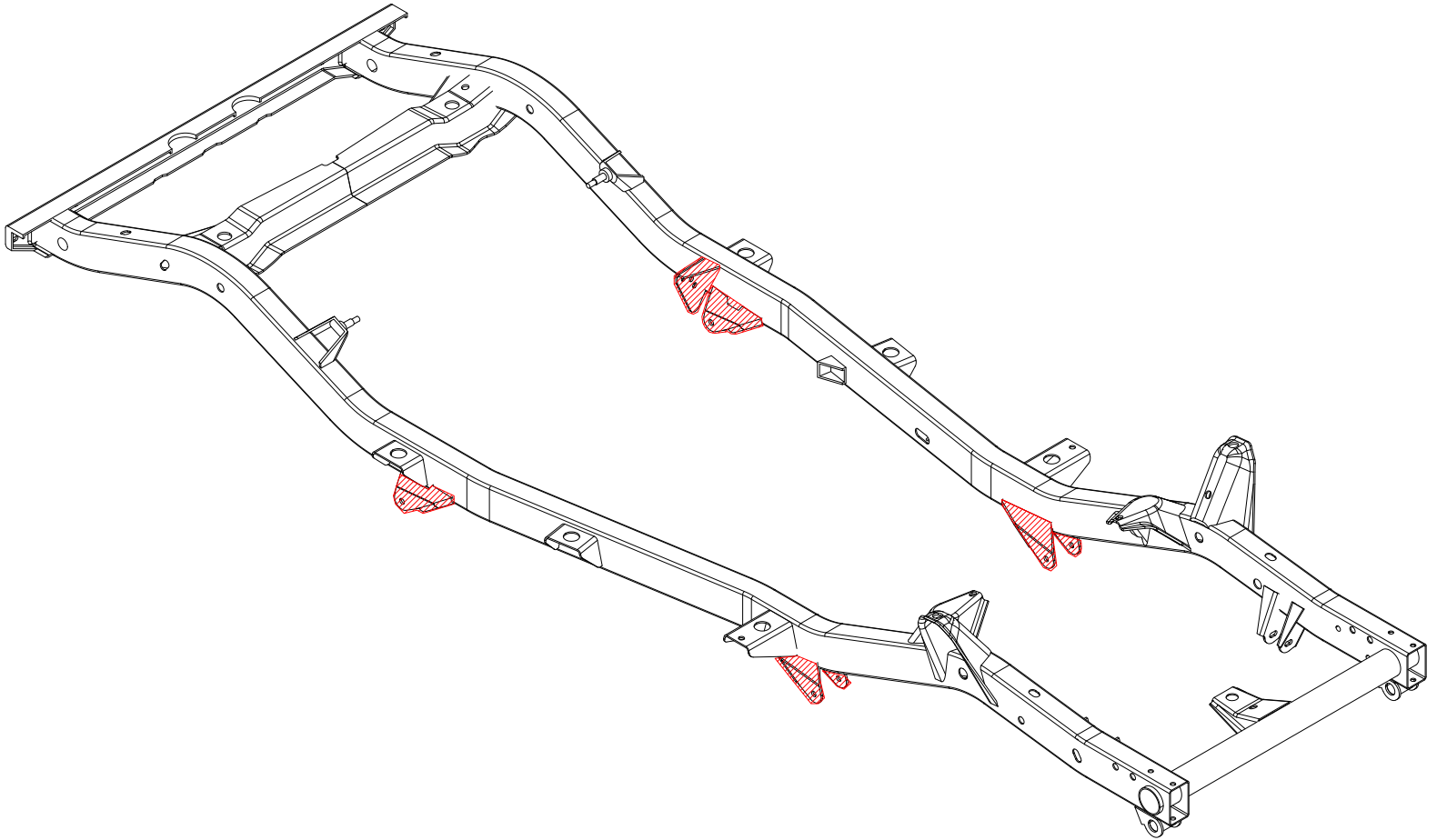


**7/16 x 1" BLACK OXIDE  
FLAT HEAD SOCKET CAP SCREW**  
Qty 14

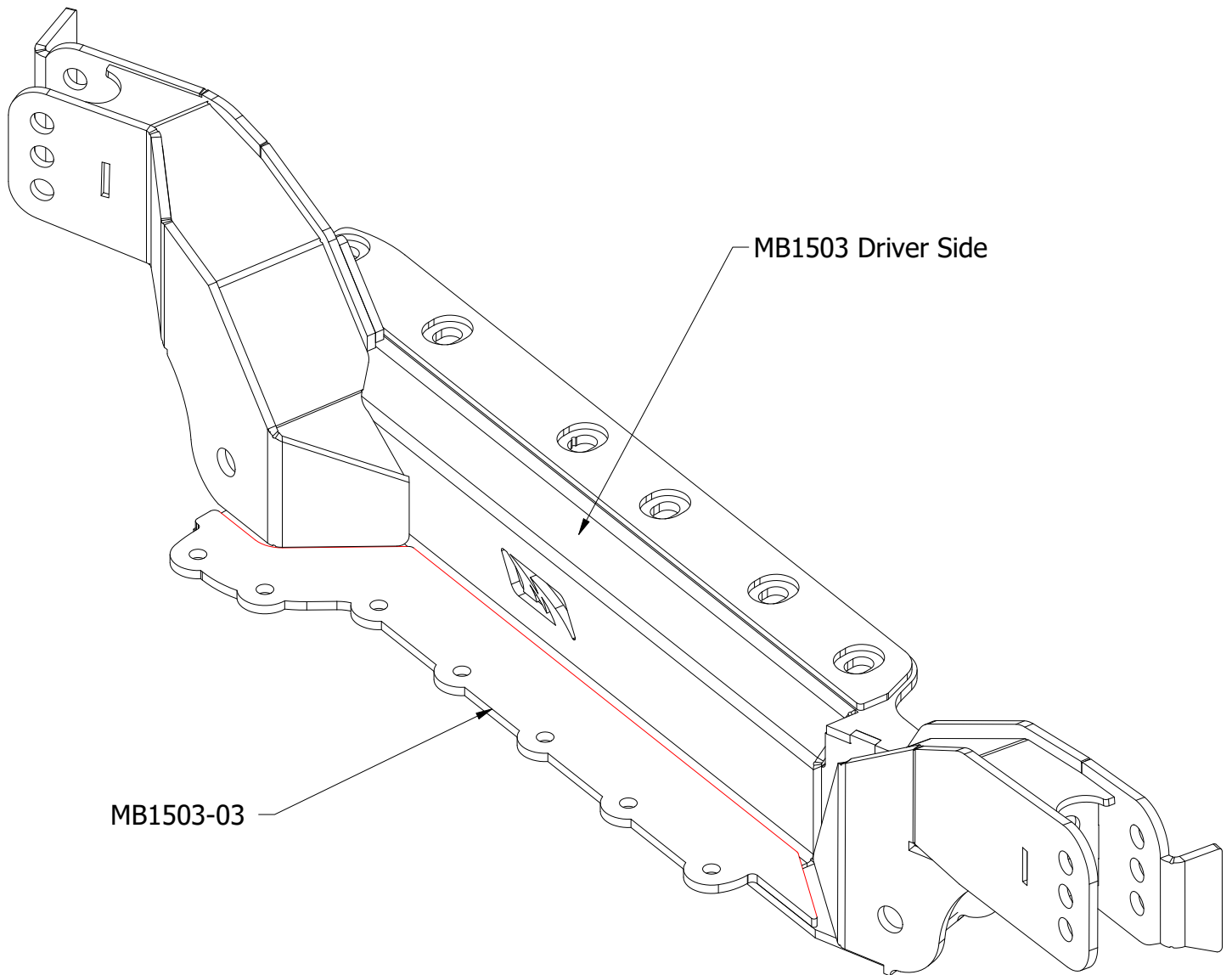


**7/16" FLANGED LOCK NUT**  
Qty 14

**HEIM JOINT FOR 4 LINK SUSPENSION****RECOMMENDED HEIM JOINT SIZES  
FOR MB1503****LOWER 4 LINK SUSPENSION HEIM JOINT****UPPER 4 LINK SUSPENSION HEIM JOINT**

**MB1503 - Assembly Instructions Jeep YJ 4 Link Suspension Mount Kit w/ Skid****FRAME MODIFICATION**

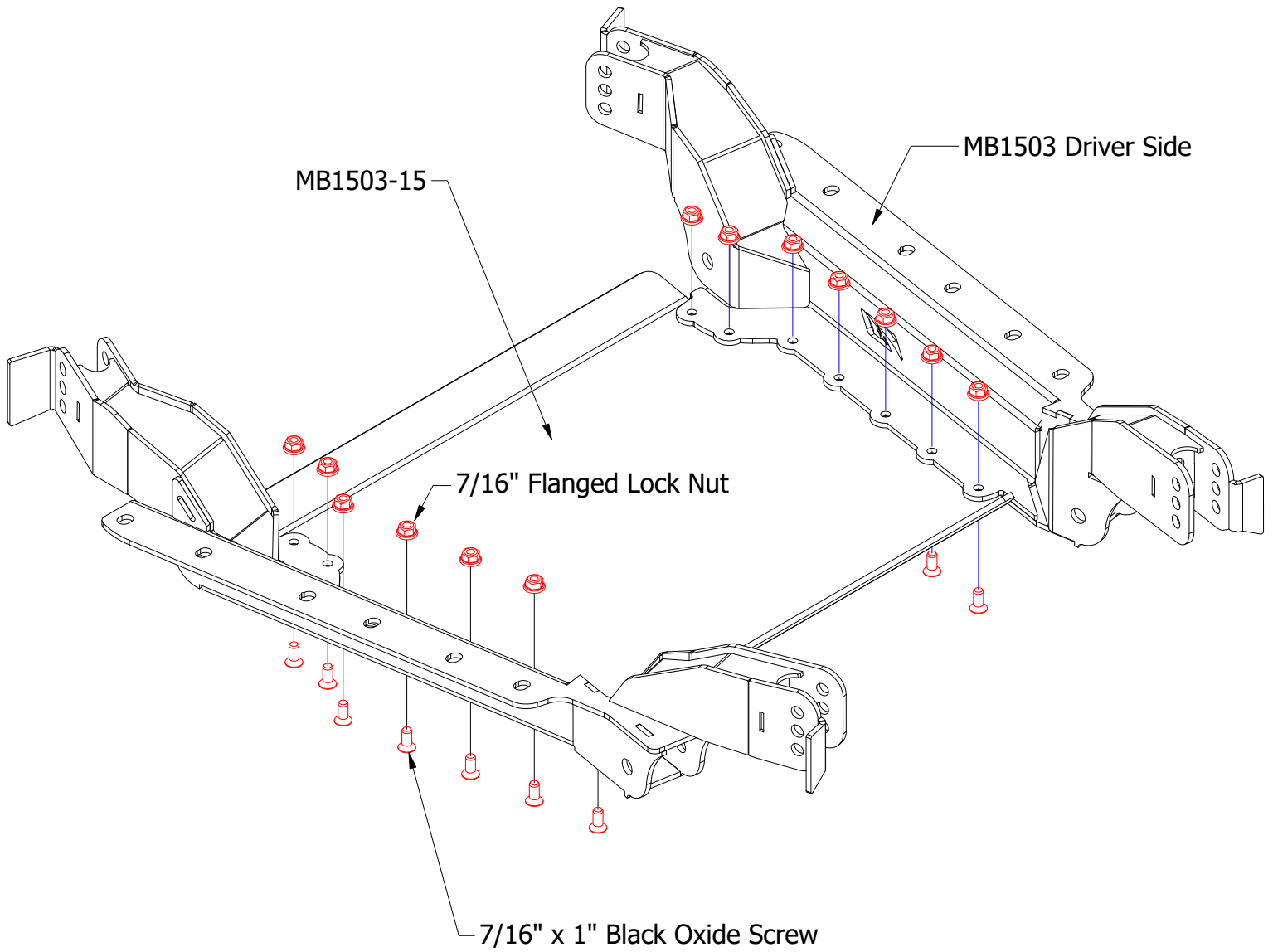
**NOTE: HATCHED SECTIONS WILL NEED TO BE REMOVED BEFORE INSTALL**

**MB1503 - Assembly Instructions Jeep YJ 4 Link Suspension Mount Kit w/ Skid****ASSEMBLY STEP 1**

**TEMPORALLY TACK WELD MB1503-03  
TO MB1503 DRIVER SIDE, AND  
REPEAT FOR PASSENGER SIDE**

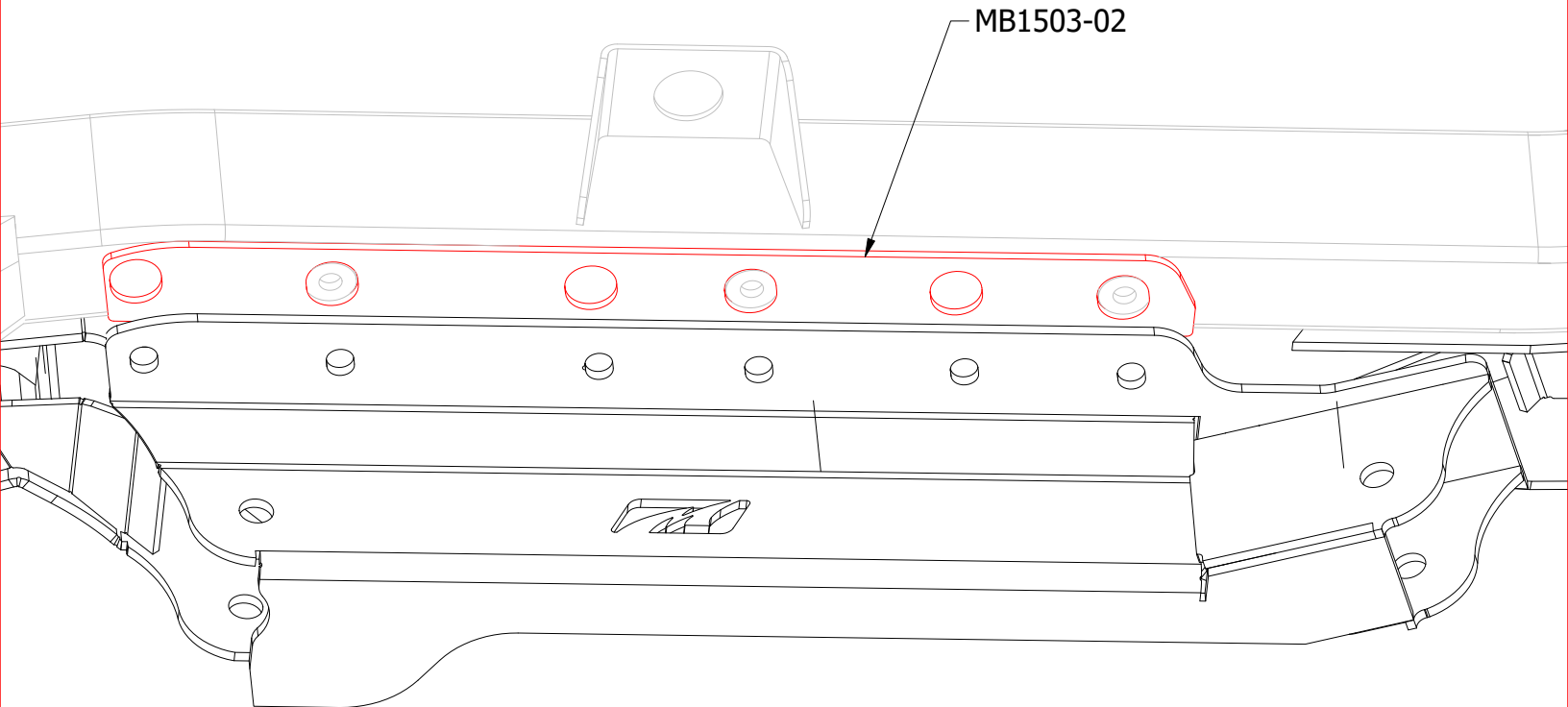
**MB1503 - Assembly Instructions Jeep YJ 4 Link Suspension Mount Kit w/ Skid**

**ASSEMBLY STEP 2**



**MB1503 - Assembly Instructions Jeep YJ 4 Link Suspension Mount Kit w/ Skid****ASSEMBLY STEP 3**

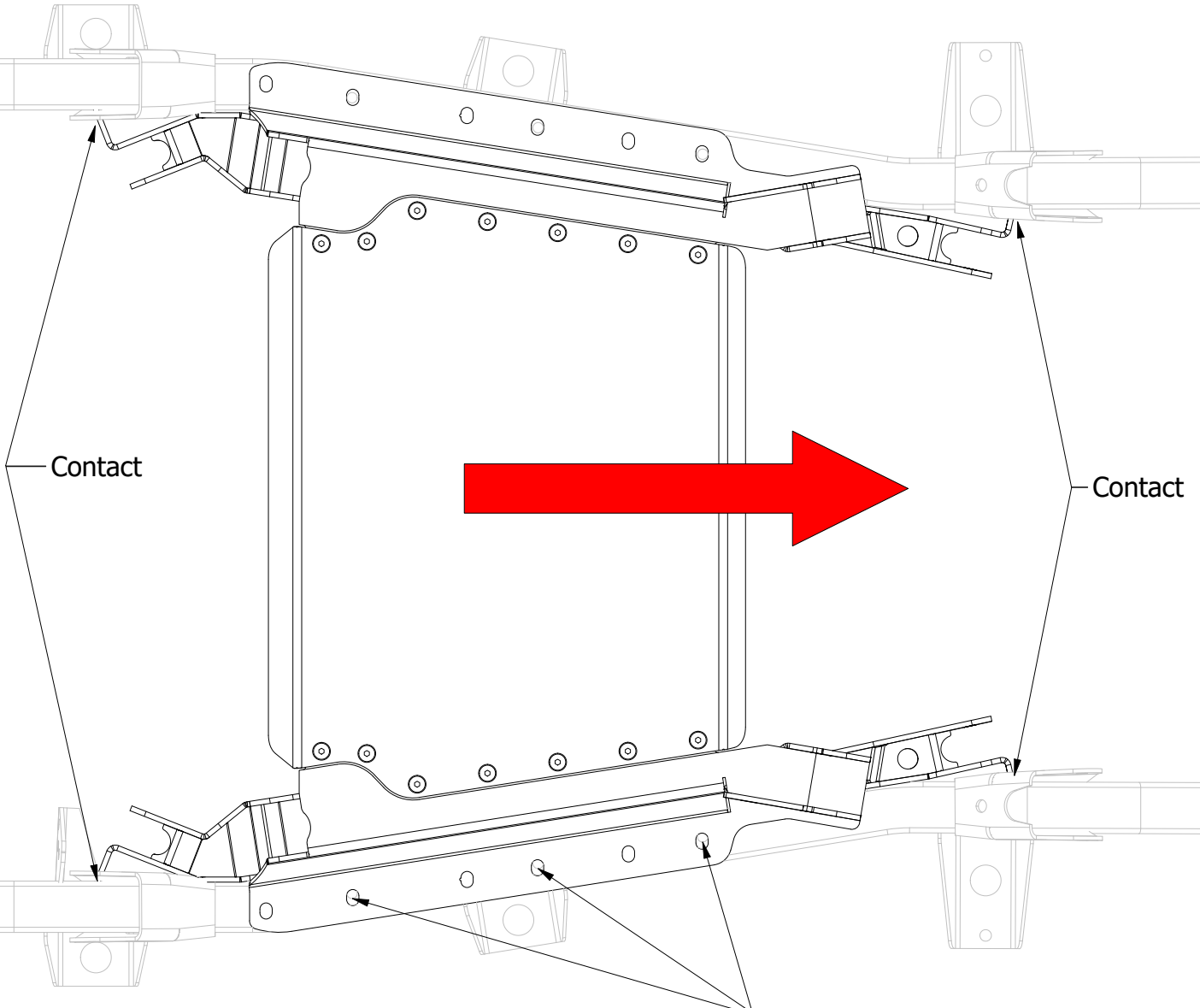
**NOTE: MB1503-02 IS A SPACER INCLUDED TO FILL THE GAP MADE BY PROTRUDING NUTS. ALTERNATIVELY THE NUTS CAN BE GROUND DOWN FOR A FLUSH FIT**



**MB1503 - Assembly Instructions Jeep YJ 4 Link Suspension Mount Kit w/ Skid**

**ASSEMBLY STEP 6**

**LIFT THE ASSEMBLY INTO FRAME, THEN PUSH FORWARD UNTIL ALL CORNERS TOUCH THE FRAME**



**ALIGN AND BOLT MB1503  
THIS MAY REQUIRE BREAKING TACK WELDS  
NOT ALL HOLES WILL BE USED**



**MB1503 - Assembly Instructions Jeep YJ 4 Link Suspension Mount Kit w/ Skid**

**ASSEMBLY STEP 5**

