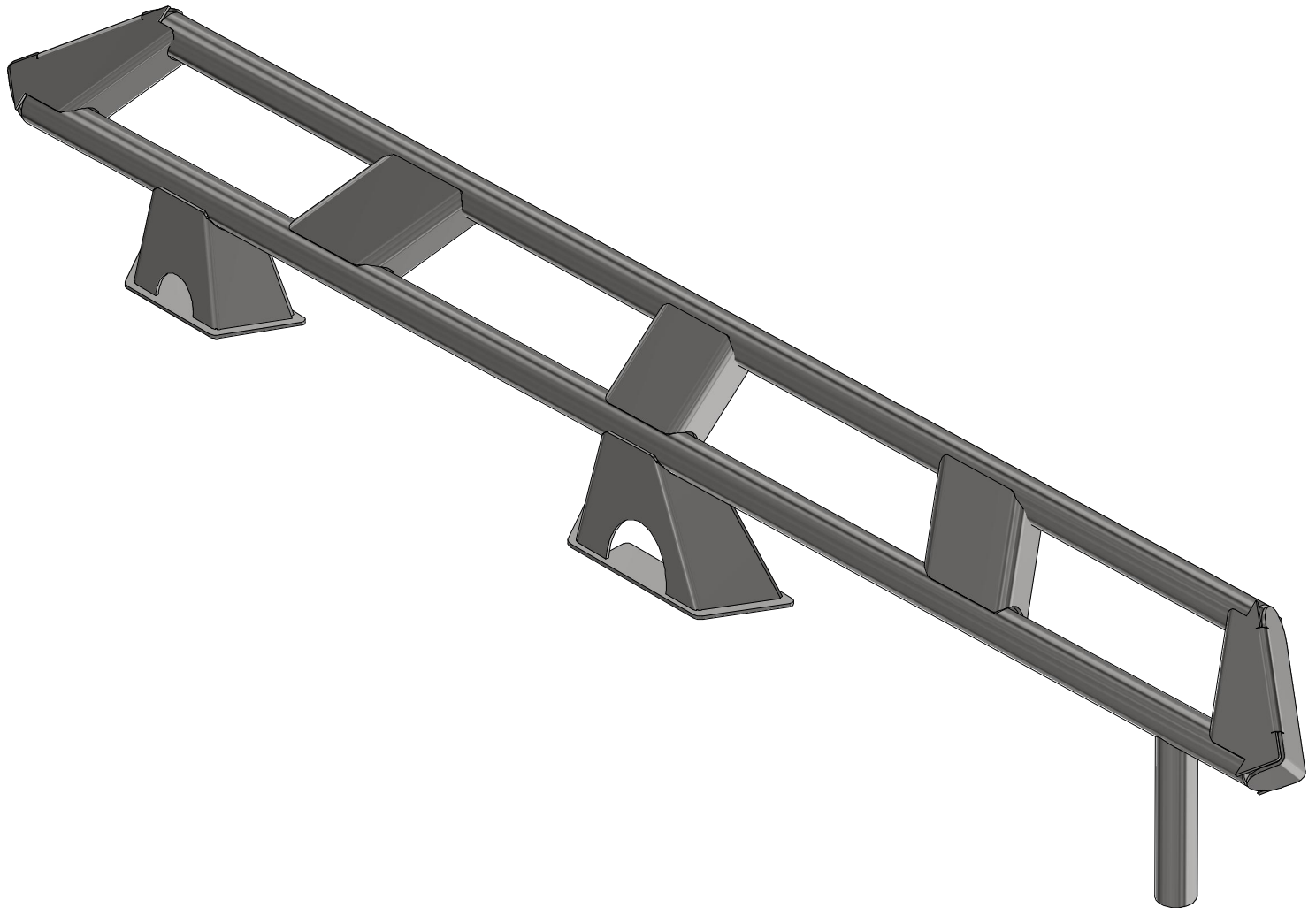


MB1259 - Assembly Instructions Frame Mounted Rocker Guards for Jeep JT

FRAME MOUNTED ROCKER GUARDS FOR AFTERMARKET LONG ARM SUSPENSIONS

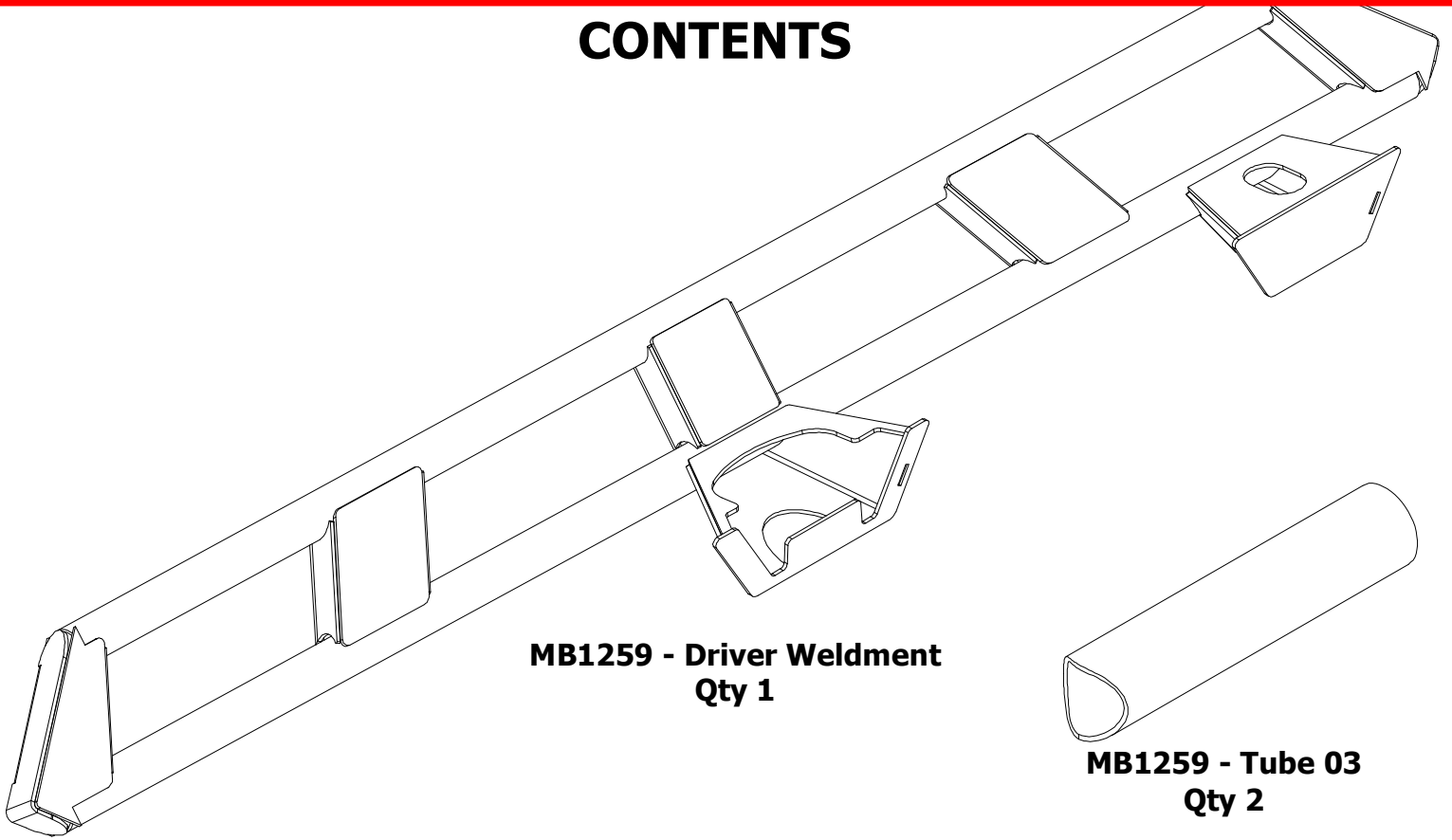
Compatible with 2018-Present JT Gladiator



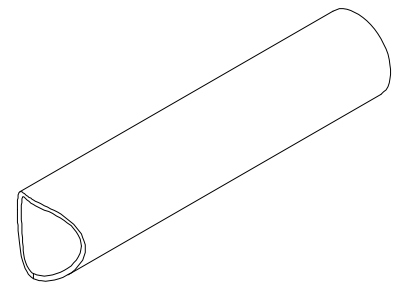
ASSEMBLY INSTRUCTIONS

MB1259 - Assembly Instructions Frame Mounted Rocker Guards for Jeep JT

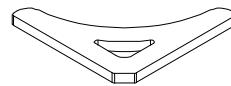
CONTENTS



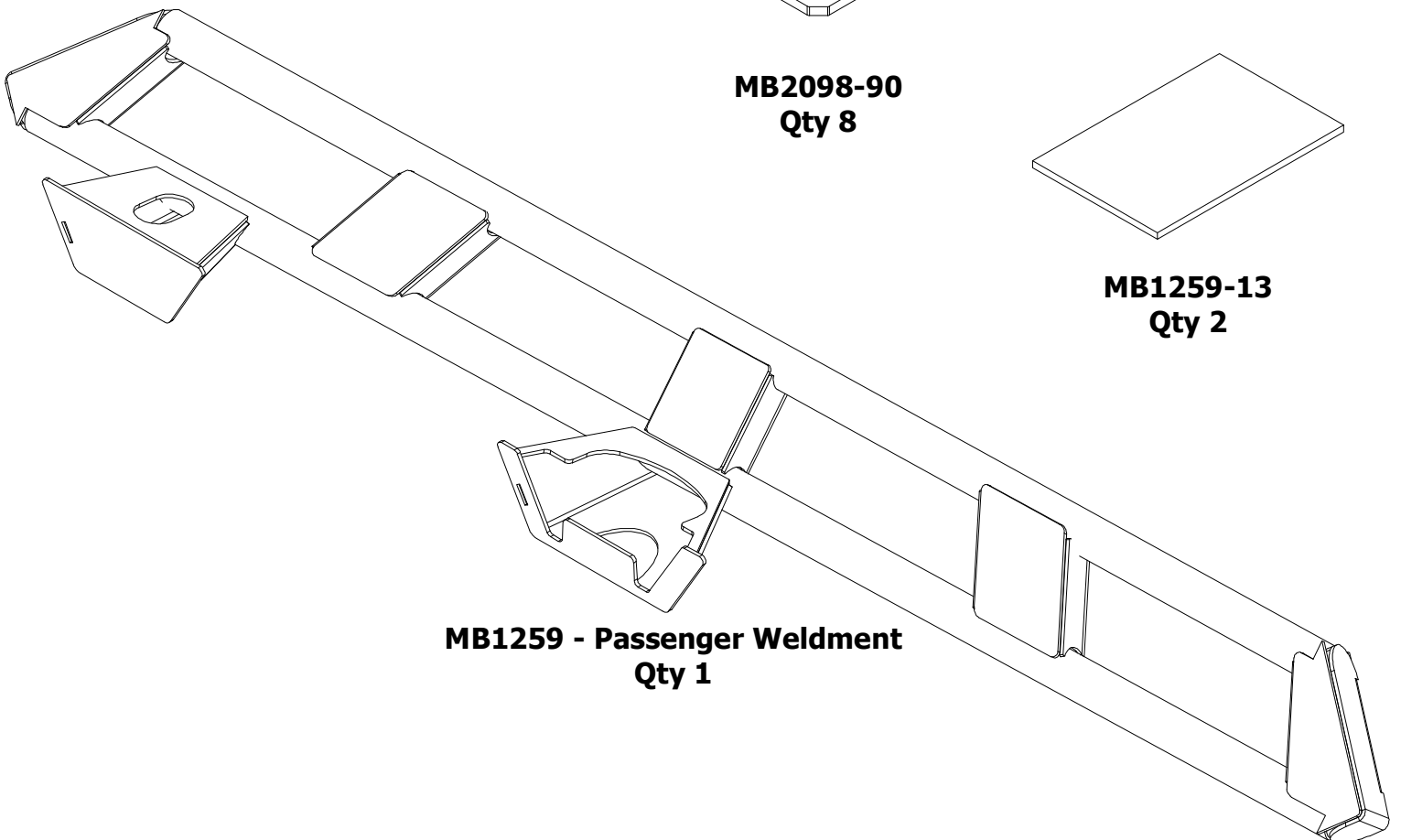
**MB1259 - Driver Weldment
Qty 1**



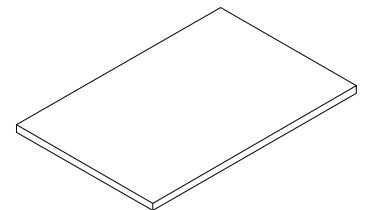
**MB1259 - Tube 03
Qty 2**



**MB2098-90
Qty 8**

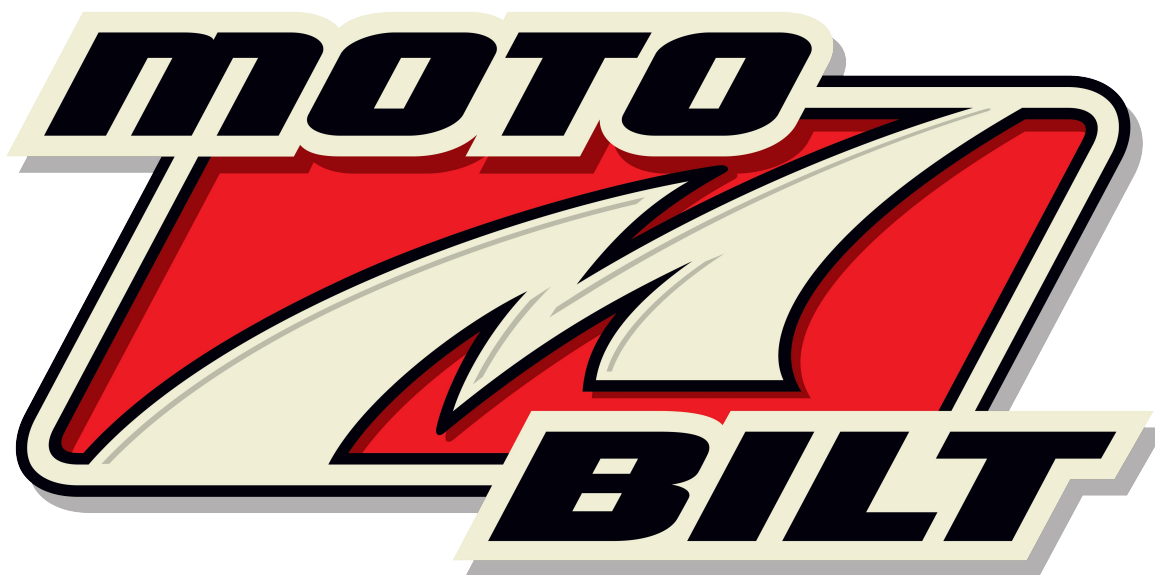


**MB1259 - Passenger Weldment
Qty 1**



**MB1259-13
Qty 2**

MB1259 - Assembly Instructions Frame Mounted Rocker Guards for Jeep JT

**Preparation and Installation Guide**

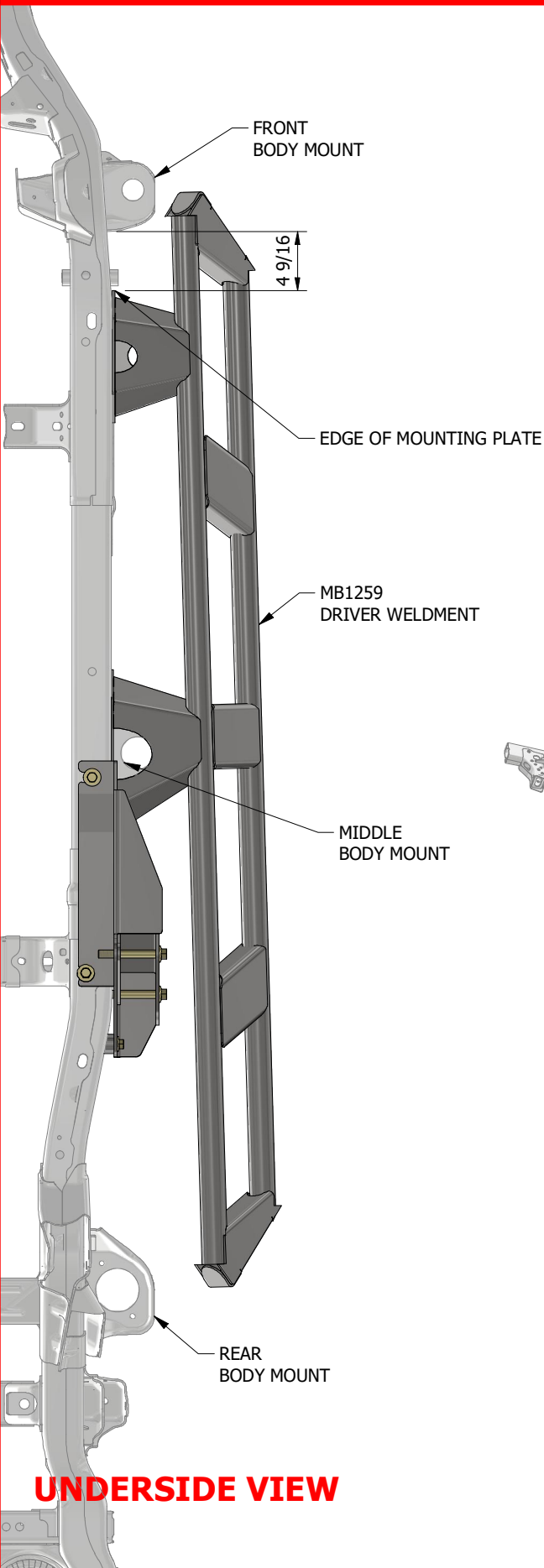
Compatibility: This product fits Jeep JT Gladiator.

- 1. Disconnect Batteries:** Before starting the installation, disconnect all batteries.
- 2. Install Lower Rocker Armor:** If you plan to install lower rocker armor (e.g., MB1107 for Jeep Gladiator), do this first before proceeding with the weld-on Rocker Guards.
- 3. Prepare for Welding:**
Cover or mask all painted areas, glass, mirrors, and trim.
Ensure you have a fire extinguisher on hand.
- 4. Paint or Powder Coat Parts:** Paint or powder coat all parts before installation. Note that welding will require touch-ups on painted areas.
- 5. Remove Factory Paint:** Remove factory paint from the frame where welding will occur.
- 6. Weld the Product:** Weld the product to the frame of the vehicle.
- 7. Touch Up Paint:** After welding, touch up the frame and any affected areas with paint.

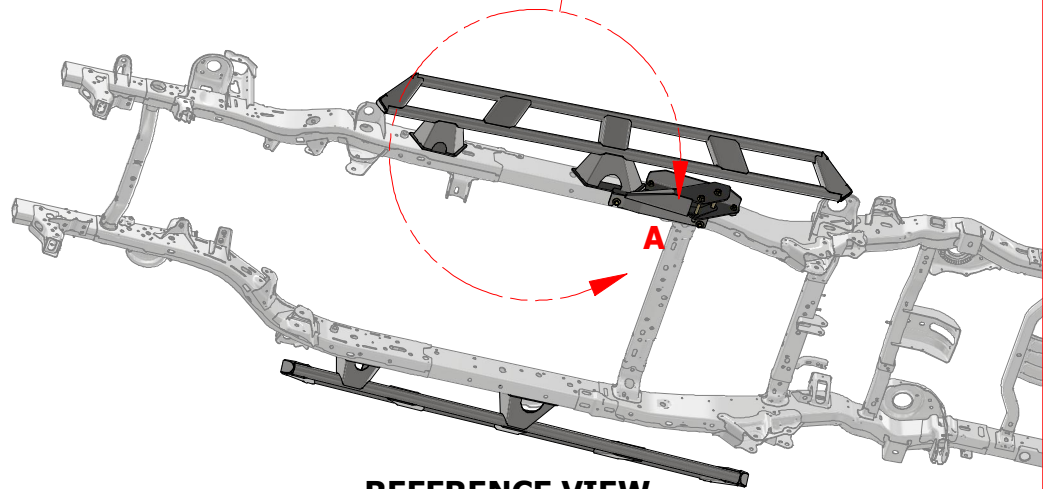
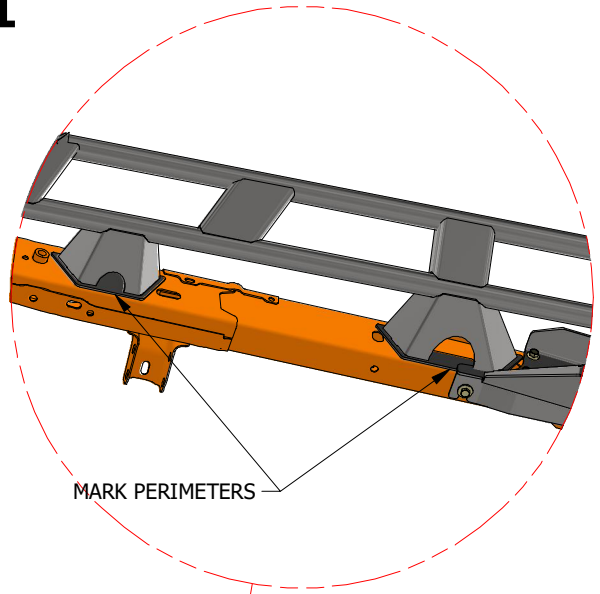
Pro Tip: Use STEEL-IT paint, which can be welded through and easily touched up afterward.

MB1259 - Assembly Instructions Frame Mounted Rocker Guards for Jeep JT

STEP 1



UNDERSIDE VIEW



REFERENCE VIEW

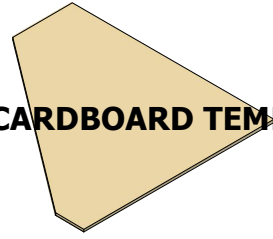
1. CLAMP THE DRIVER WELDMENT TO THE FRAME IN THE POSITION AS SHOWN.
2. MARK THE PERIMETER OF THE MOUNTING PLATES.
3. UNCLAMP & REMOVE THE DRIVER WELDMENT.
4. GRIND PAINT OFF FRAME IN MARKED LOCATIONS.
5. REINSTALL & CLAMP DRIVER WELDMENT IN POSITION SHOWN.
6. TACK WELD MOUNTING PLATES TO FRAME.

REPEAT ON PASSENGER SIDE

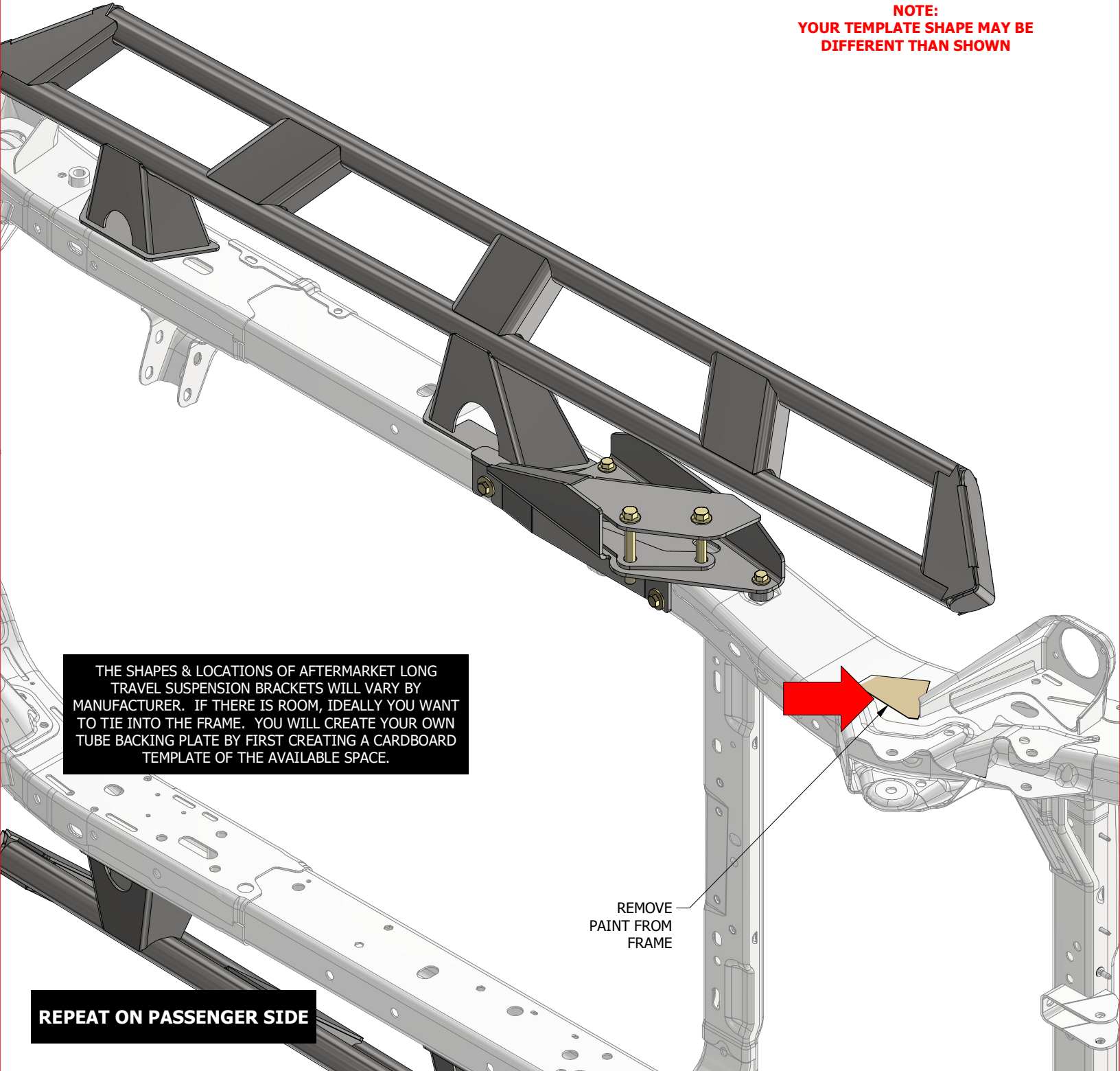
MB1259 - Assembly Instructions Frame Mounted Rocker Guards for Jeep JT

STEP 2

YOUR CARDBOARD TEMPLATE



**NOTE:
YOUR TEMPLATE SHAPE MAY BE
DIFFERENT THAN SHOWN**



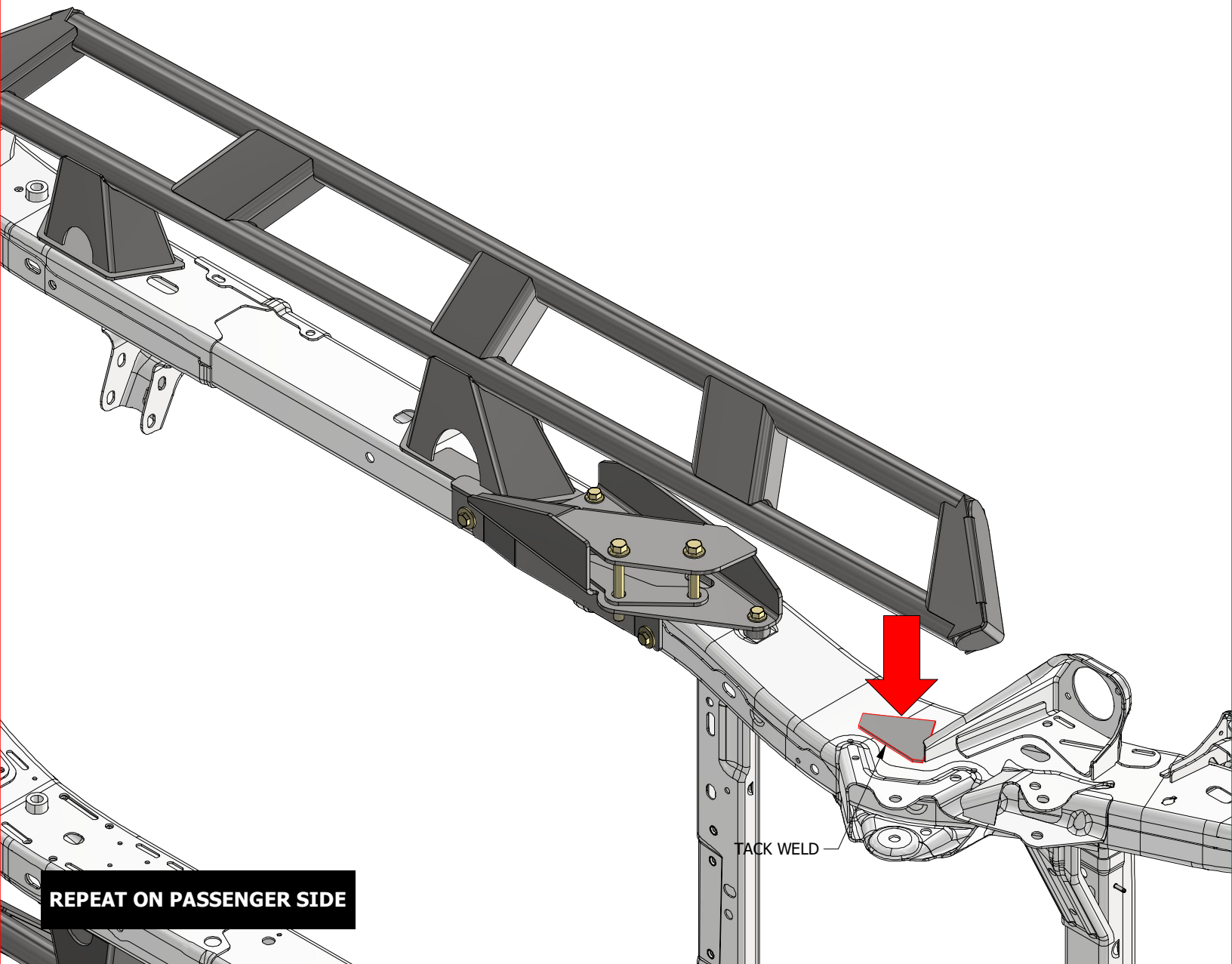
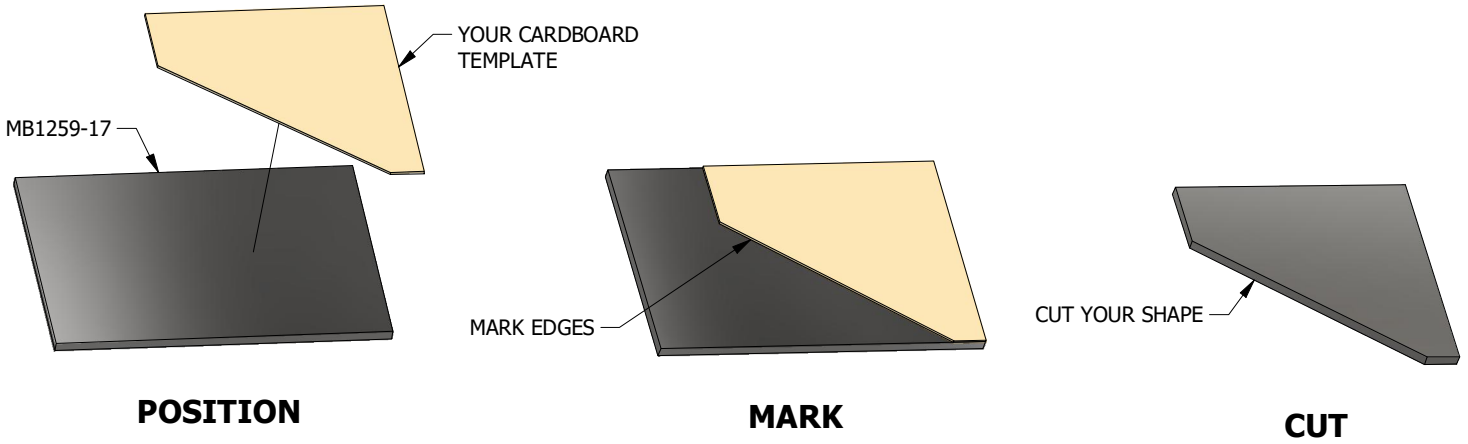
THE SHAPES & LOCATIONS OF AFTERMARKET LONG TRAVEL SUSPENSION BRACKETS WILL VARY BY MANUFACTURER. IF THERE IS ROOM, IDEALLY YOU WANT TO TIE INTO THE FRAME. YOU WILL CREATE YOUR OWN TUBE BACKING PLATE BY FIRST CREATING A CARDBOARD TEMPLATE OF THE AVAILABLE SPACE.

REMOVE
PAINT FROM
FRAME

REPEAT ON PASSENGER SIDE

MB1259 - Assembly Instructions Frame Mounted Rocker Guards for Jeep JT

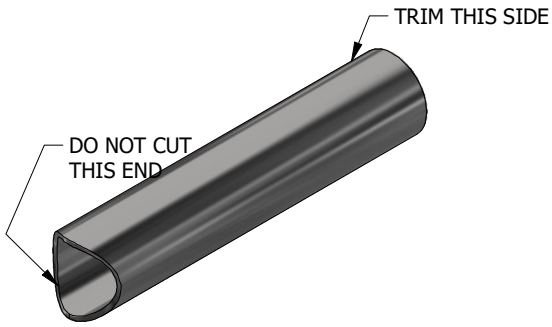
STEP 3



REPEAT ON PASSENGER SIDE

MB1259 - Assembly Instructions Frame Mounted Rocker Guards for Jeep JT

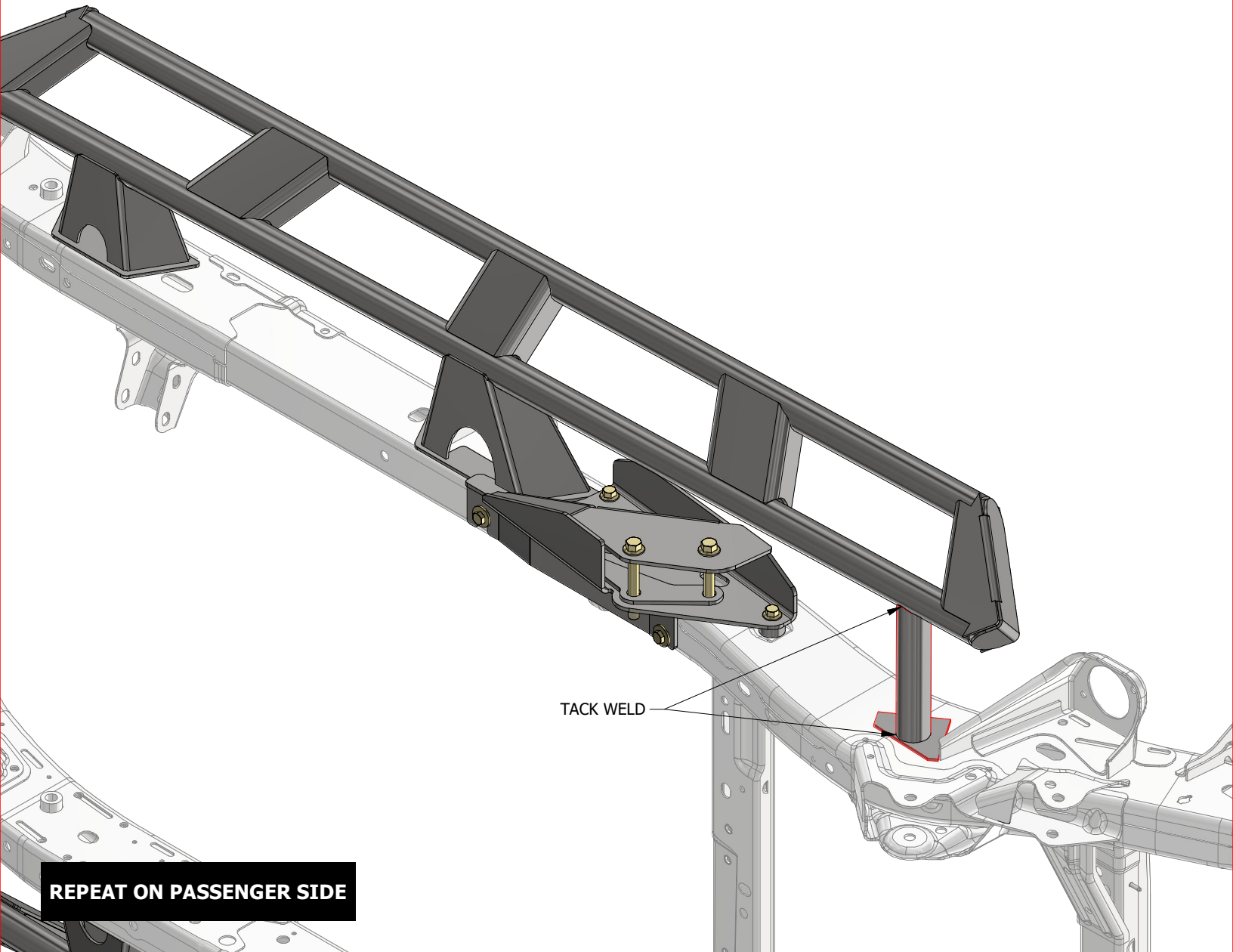
STEP 4



**MB1259-TUBE 03
BEFORE YOUR CUSTOM TRIMMING**



**MB1259-TUBE 03
AFTER YOUR CUSTOM TRIMMING**

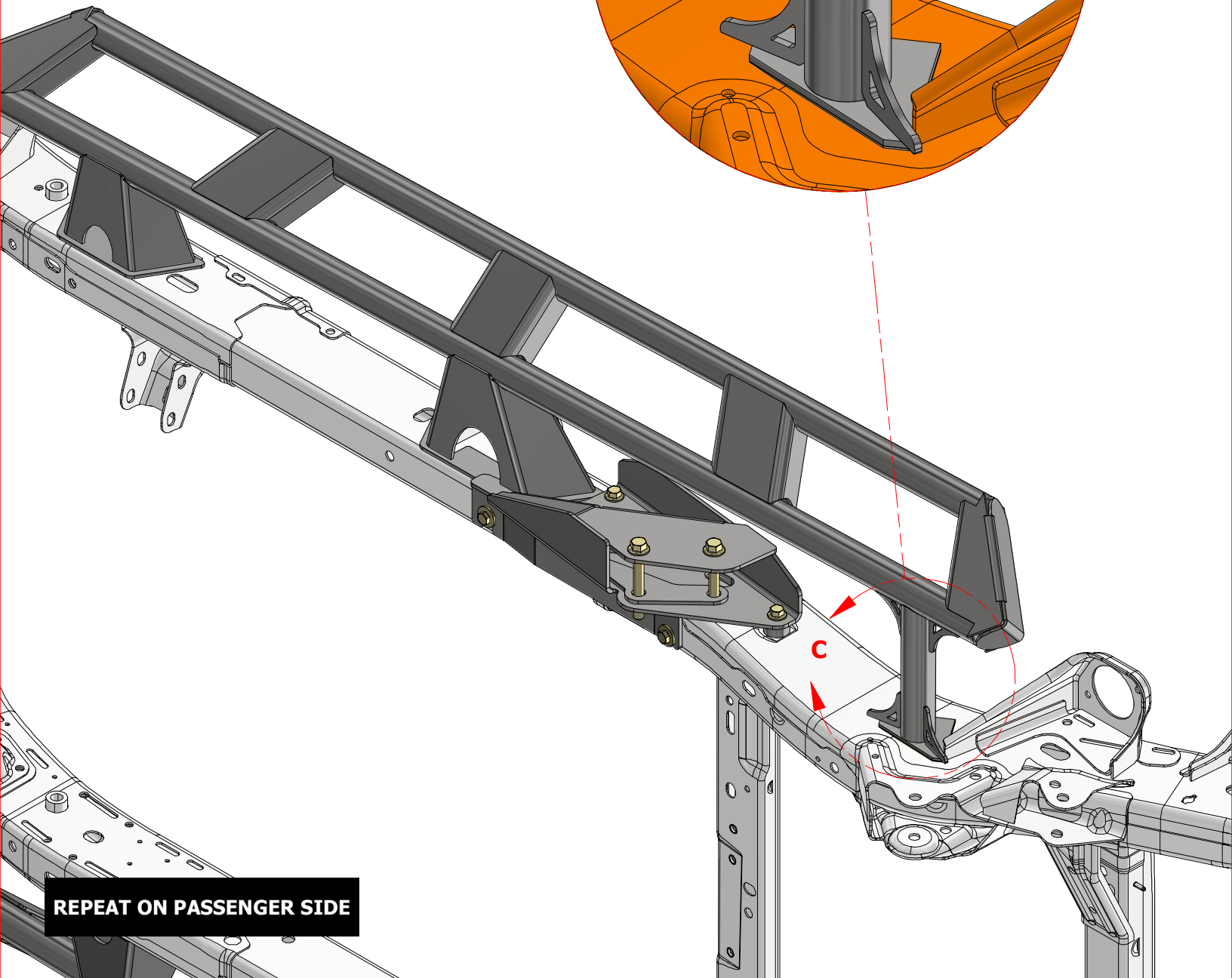
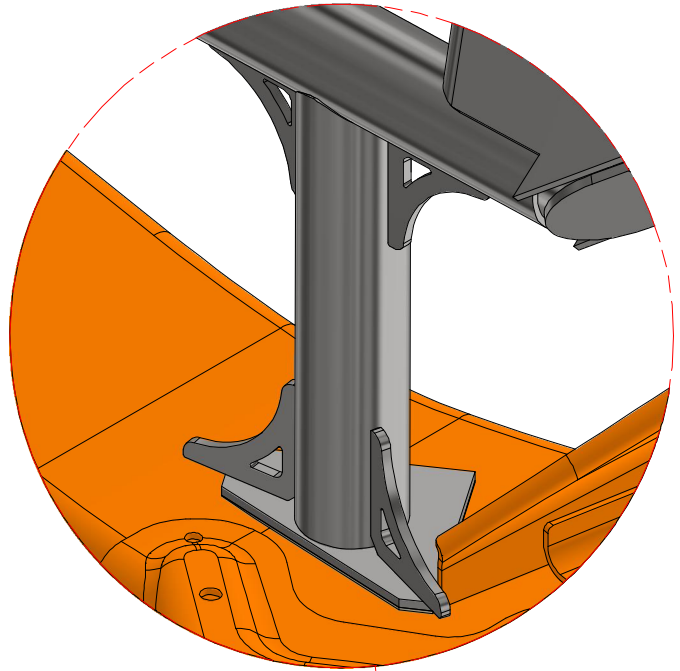


REPEAT ON PASSENGER SIDE

MB1259 - Assembly Instructions Frame Mounted Rocker Guards for Jeep JT**STEP 5**

ONCE ALL PARTS ARE INSTALLED & TACK WELDED,
FULLY WELD THE PERIMETERS OF THE
MOUNTING PLATES AND TUBES YOU INSTALLED.

TOUCH UP ALL PAINT WHERE NEEDED.



REPEAT ON PASSENGER SIDE