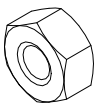
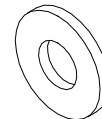
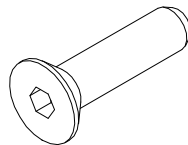
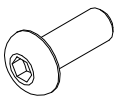
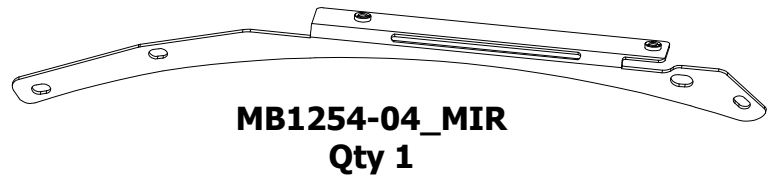
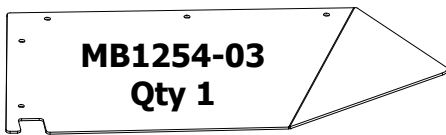
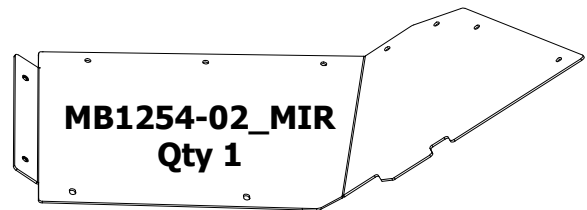
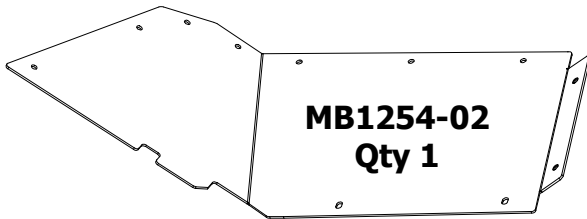
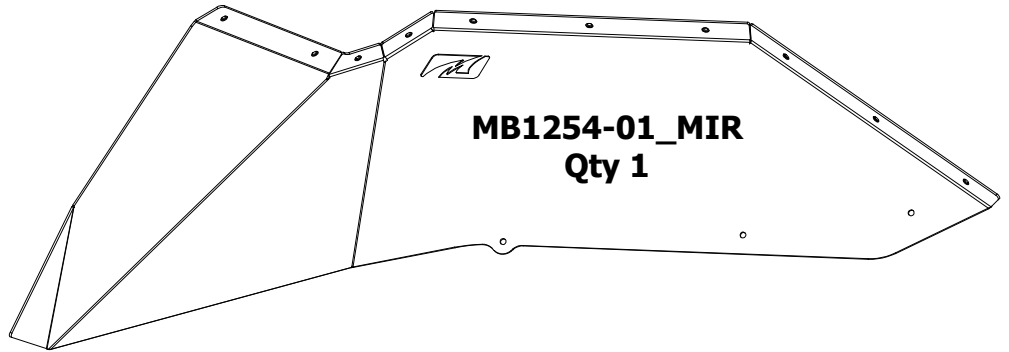
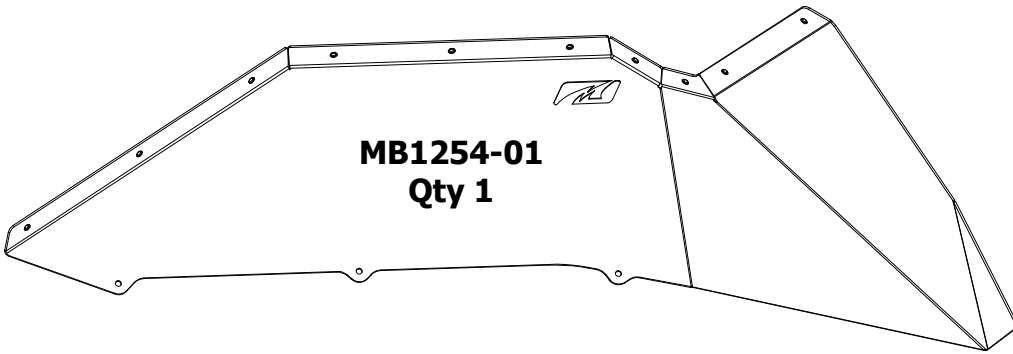


**MB1254 - Shipping High Clearance Rear Inner Fender for JL/JLU**



**Button Head Screw**  
#10-24 x 1/2" Long  
Qty 36  
(includes 2 spares)

**Nylock Nut**  
#10-24  
Qty 8  
(Includes 2 spares)

**Countersunk Screw**  
1/4"-20 x 1" Long  
Qty 4

**Flat Washer**  
1/4"  
Qty 4

**Nylock Nut**  
1/4"-20  
Qty 4