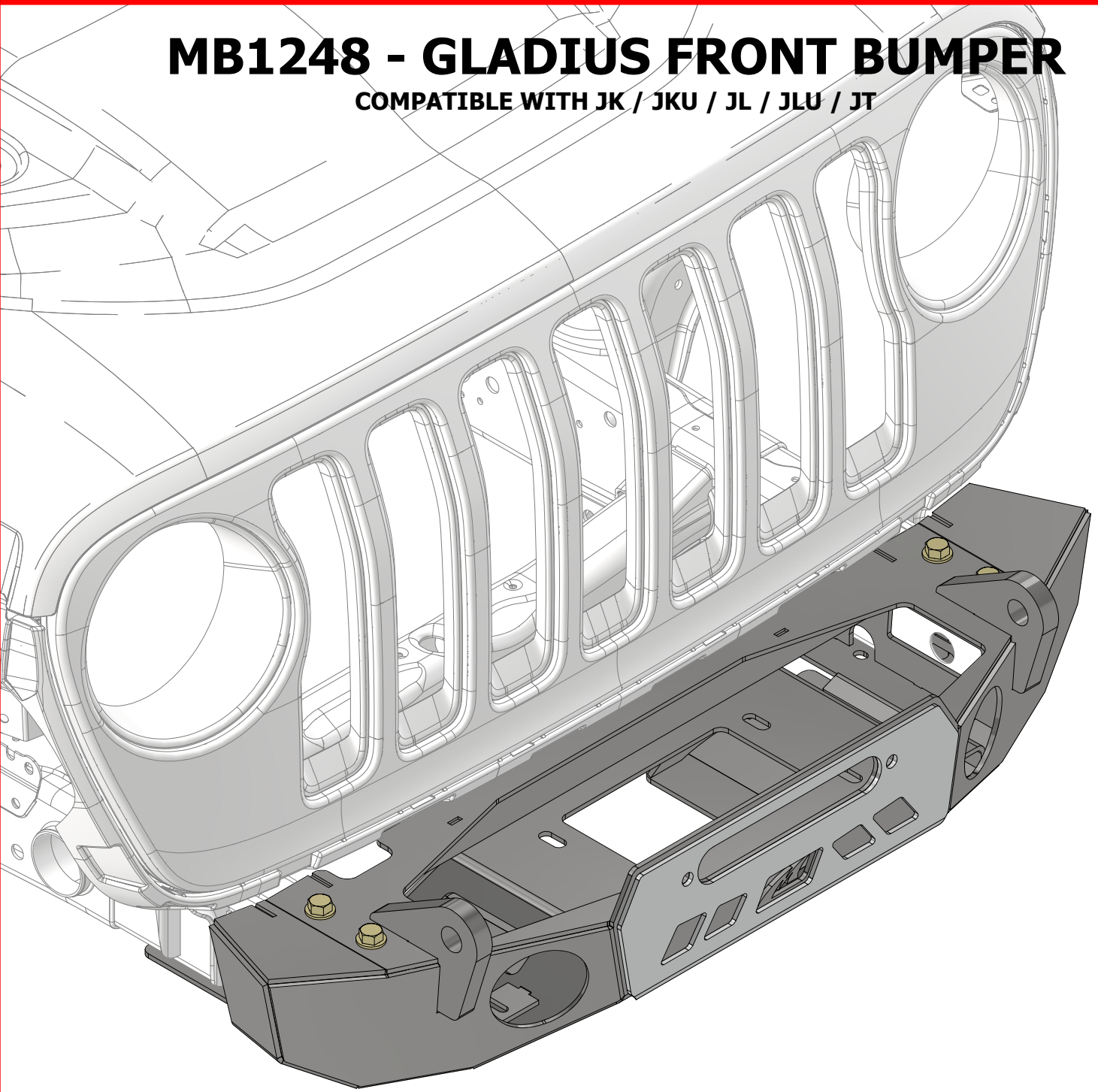


MB1248 - Assembly Instructions Gladius Frame Chop Front Bumper

MB1248 - GLADIUS FRONT BUMPER

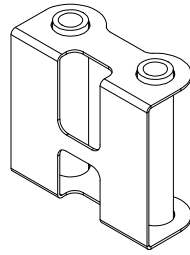
COMPATIBLE WITH JK / JKU / JL / JLU / JT



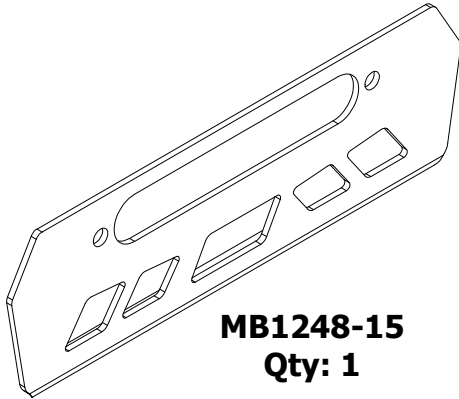
ASSEMBLY INSTRUCTIONS

MB1248 - Shipping JK JL JT Gladius Frame Chop Front Bumper

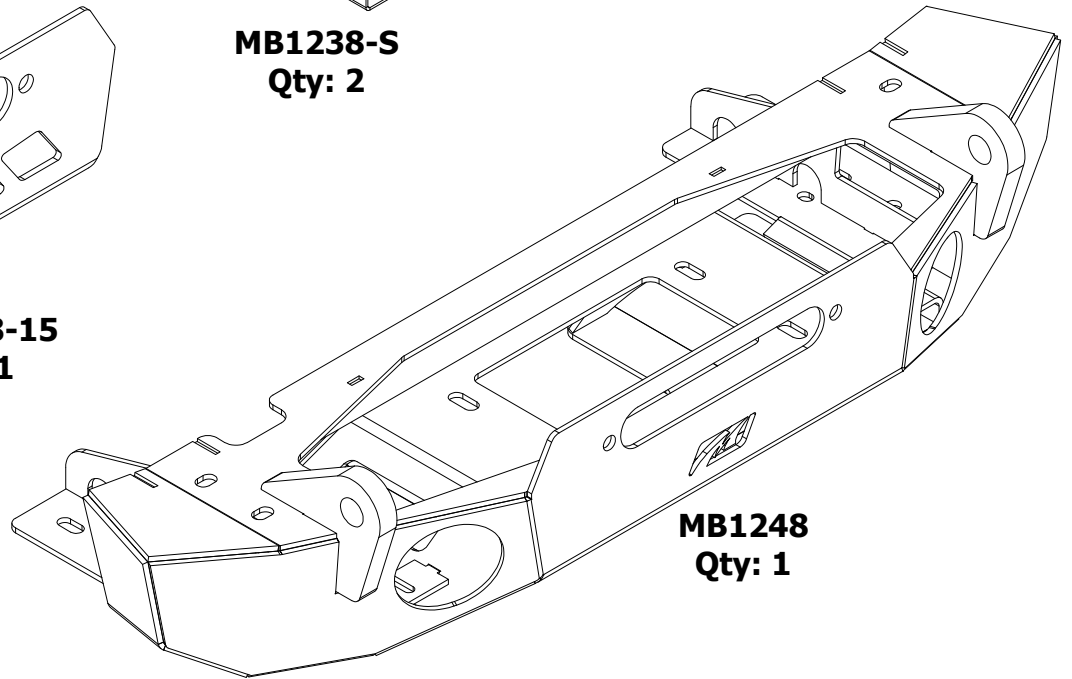
CONTENTS



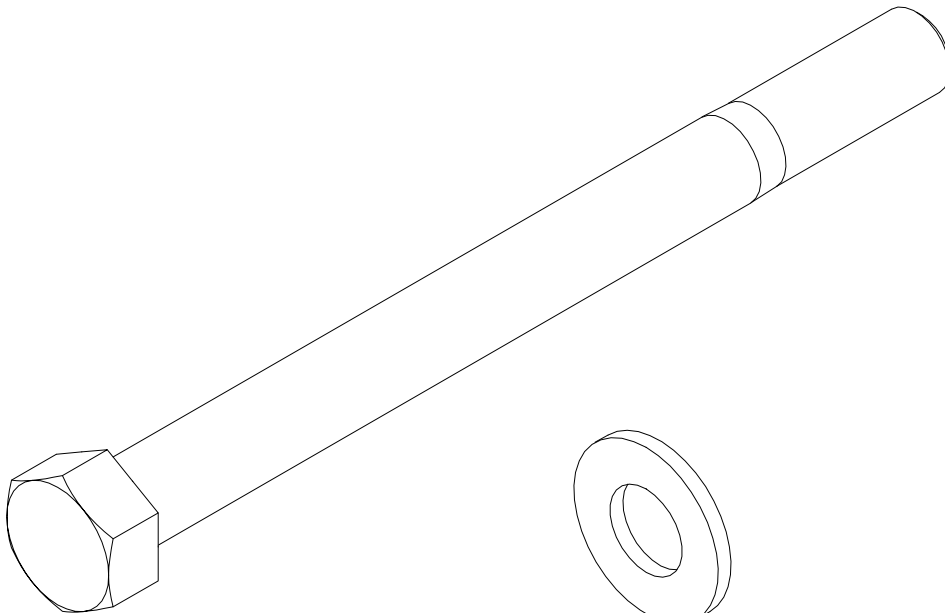
MB1238-S
Qty: 2



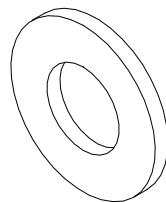
MB1248-15
Qty: 1



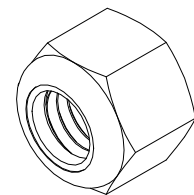
MB1248
Qty: 1



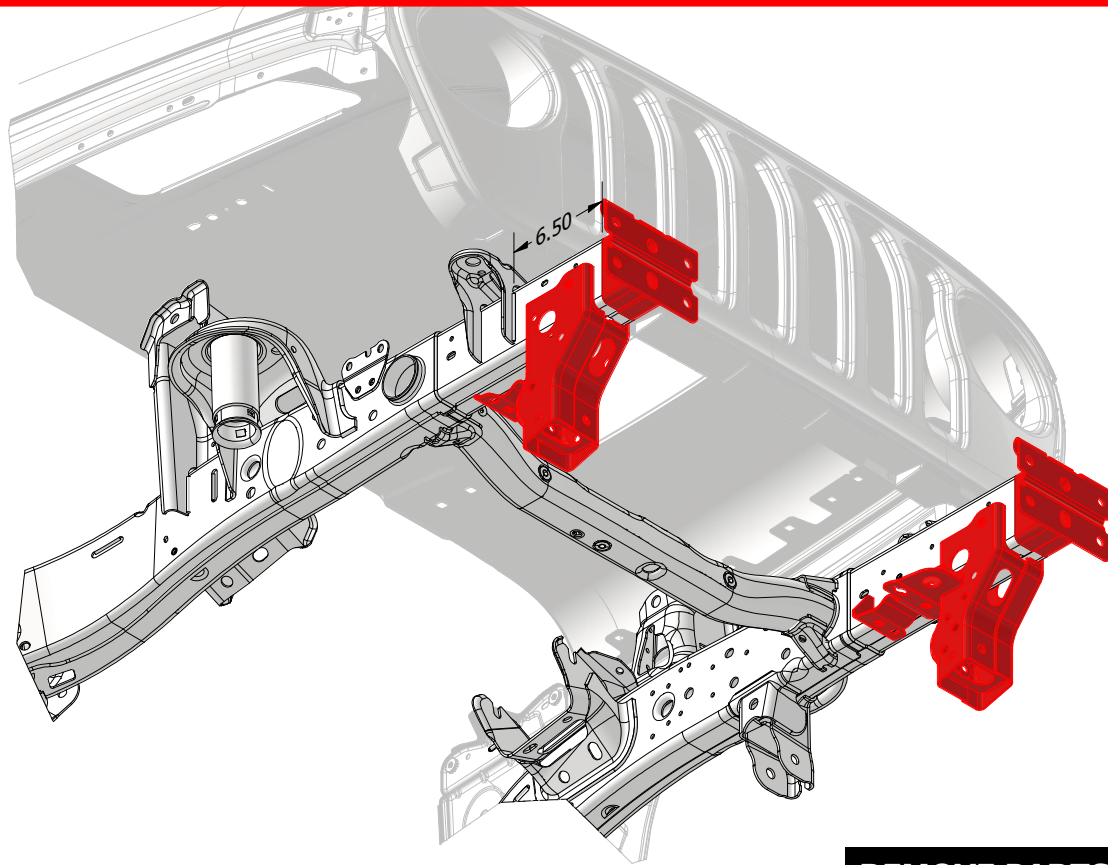
1/2"-13 x 6" Hex Bolt
Qty: 4



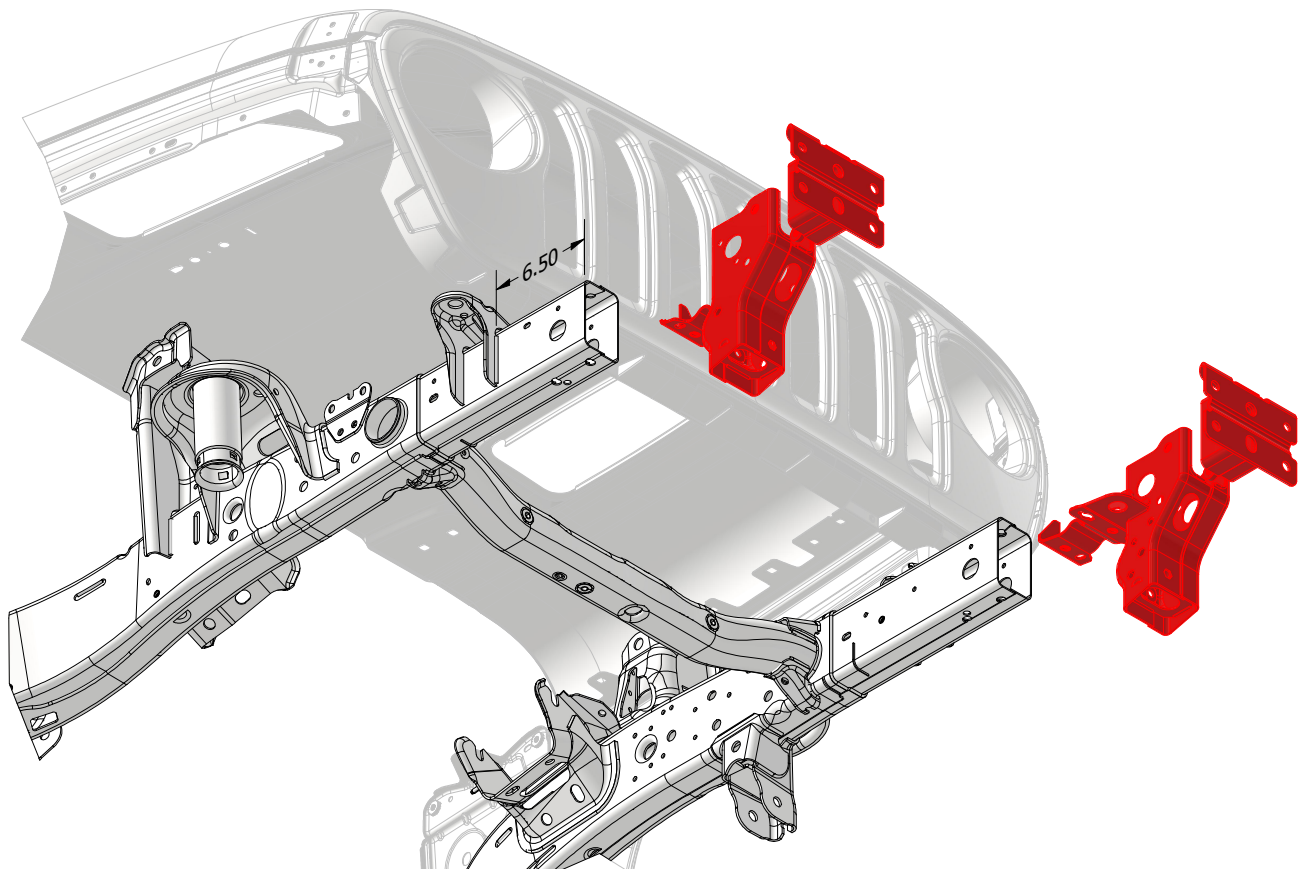
1/2" Flat Washer
Qty: 8



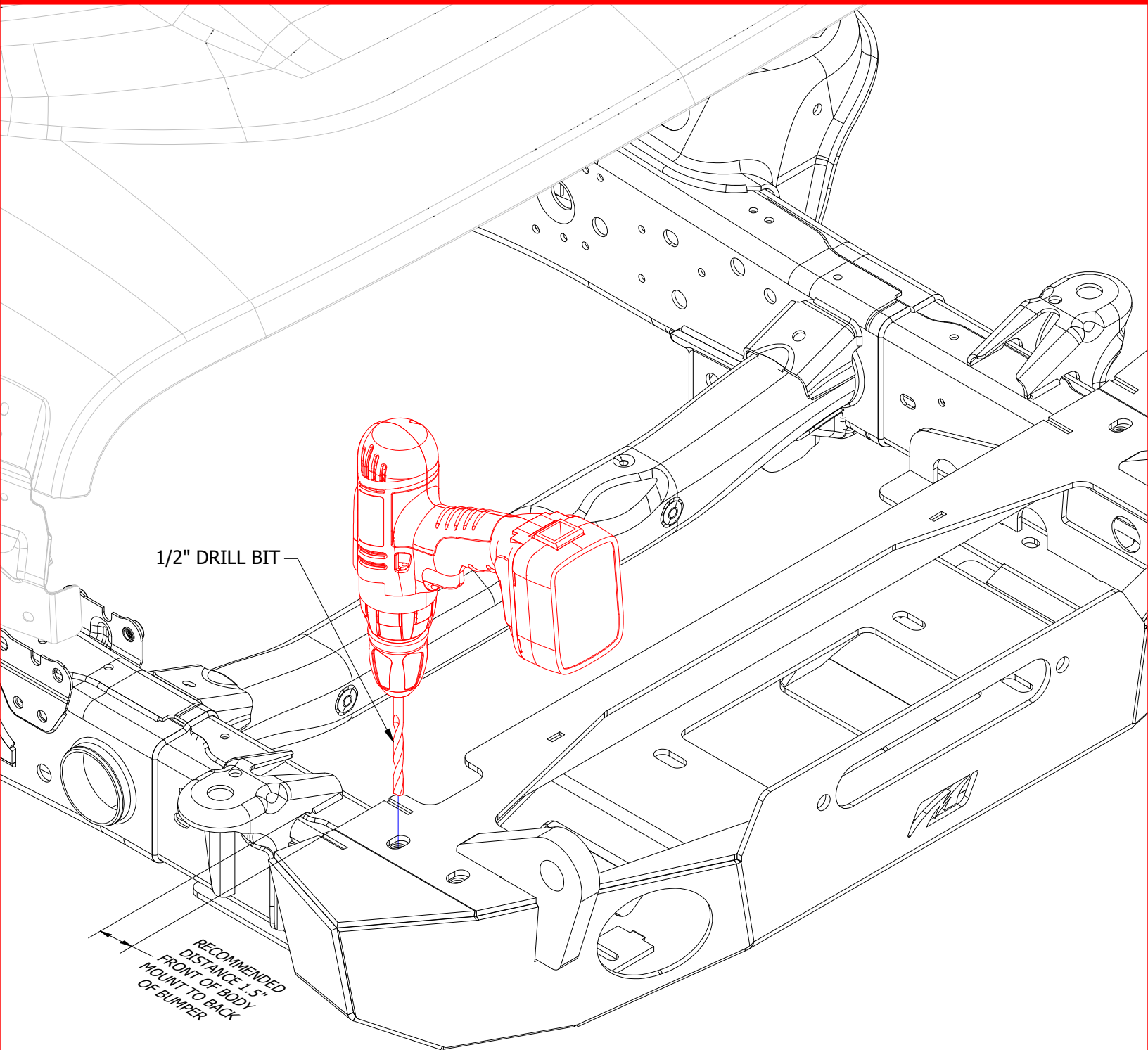
1/2"-13 - Nylon Locknut
Qty: 4

MB1248 - Assembly Instructions Gladius Frame Chop Front Bumper

**REMOVE PARTS HIGHLIGHTED
IN RED, MEASURE 6.5" FROM
FRONT OF BODY MOUNT**



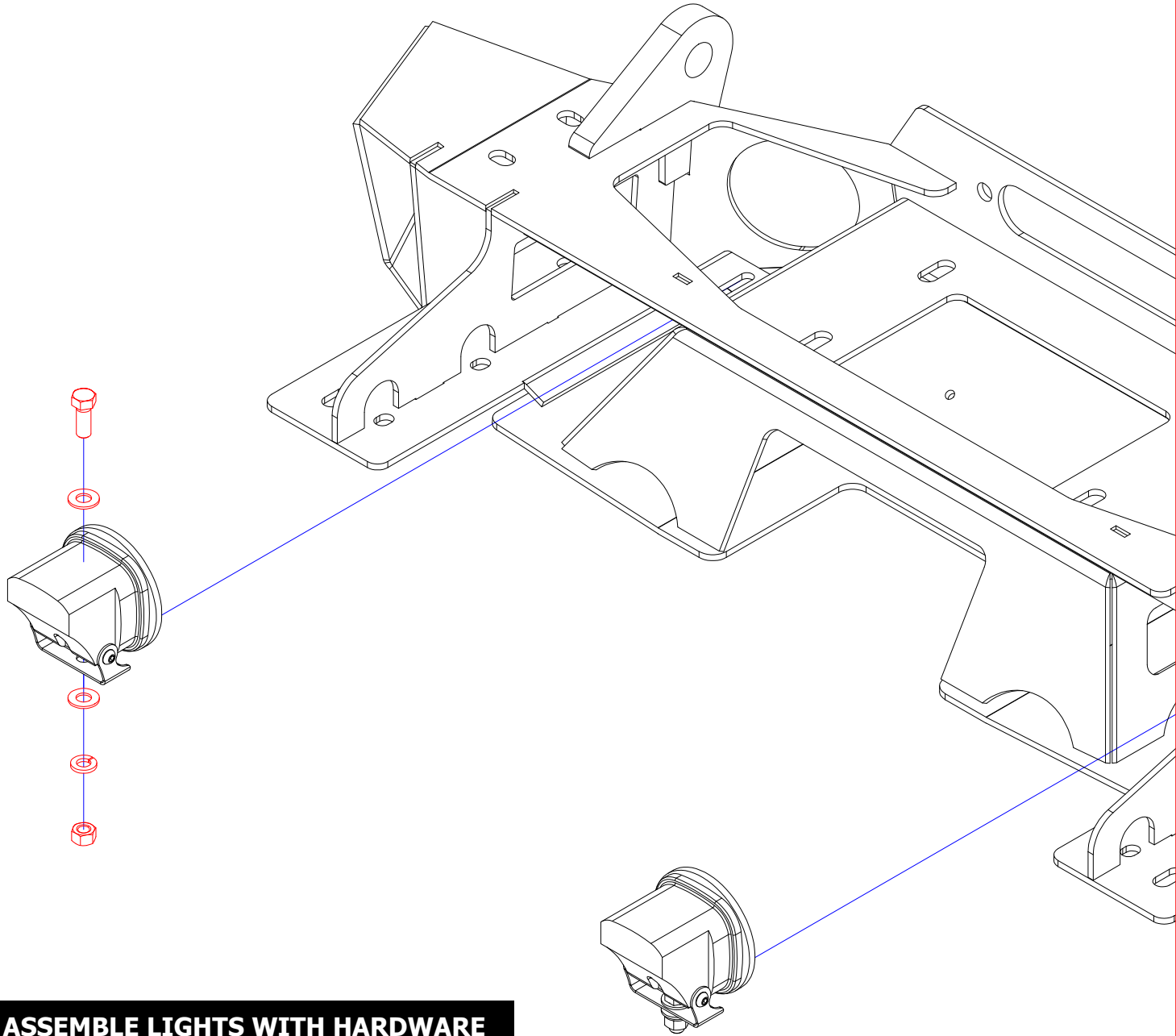
MB1248 - Assembly Instructions Gladius Frame Chop Front Bumper



1/2" DRILL BIT

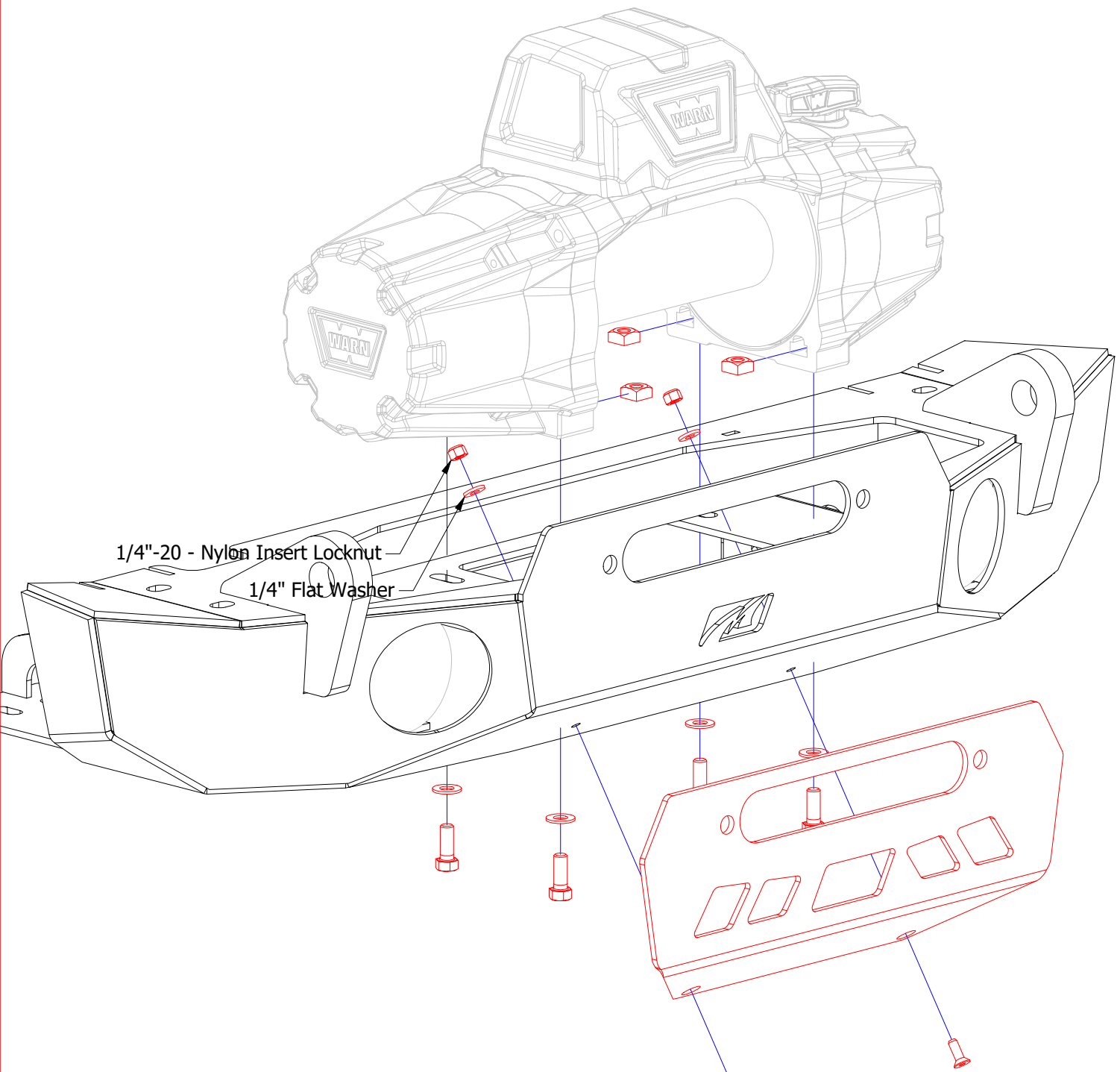
RECOMMENDED
DISTANCE 1.5"
FRONT OF BODY
MOUNT TO BACK
OF BUMPER

**USE BUMPER TO MARK HOLES TOP AND BOTTOM
REMOVE BUMPER AND DRILL HOLES
DO NOT DRILL THROUGH TOP AND BOTTOM AT THE SAME TIME**

MB1248 - Assembly Instructions Gladius Frame Chop Front Bumper

ASSEMBLE LIGHTS WITH HARDWARE PROVIDED BY MFG LOOSE, TO ALLOW LIGHT TO SLIDE LIGHT ONTO BRACKET

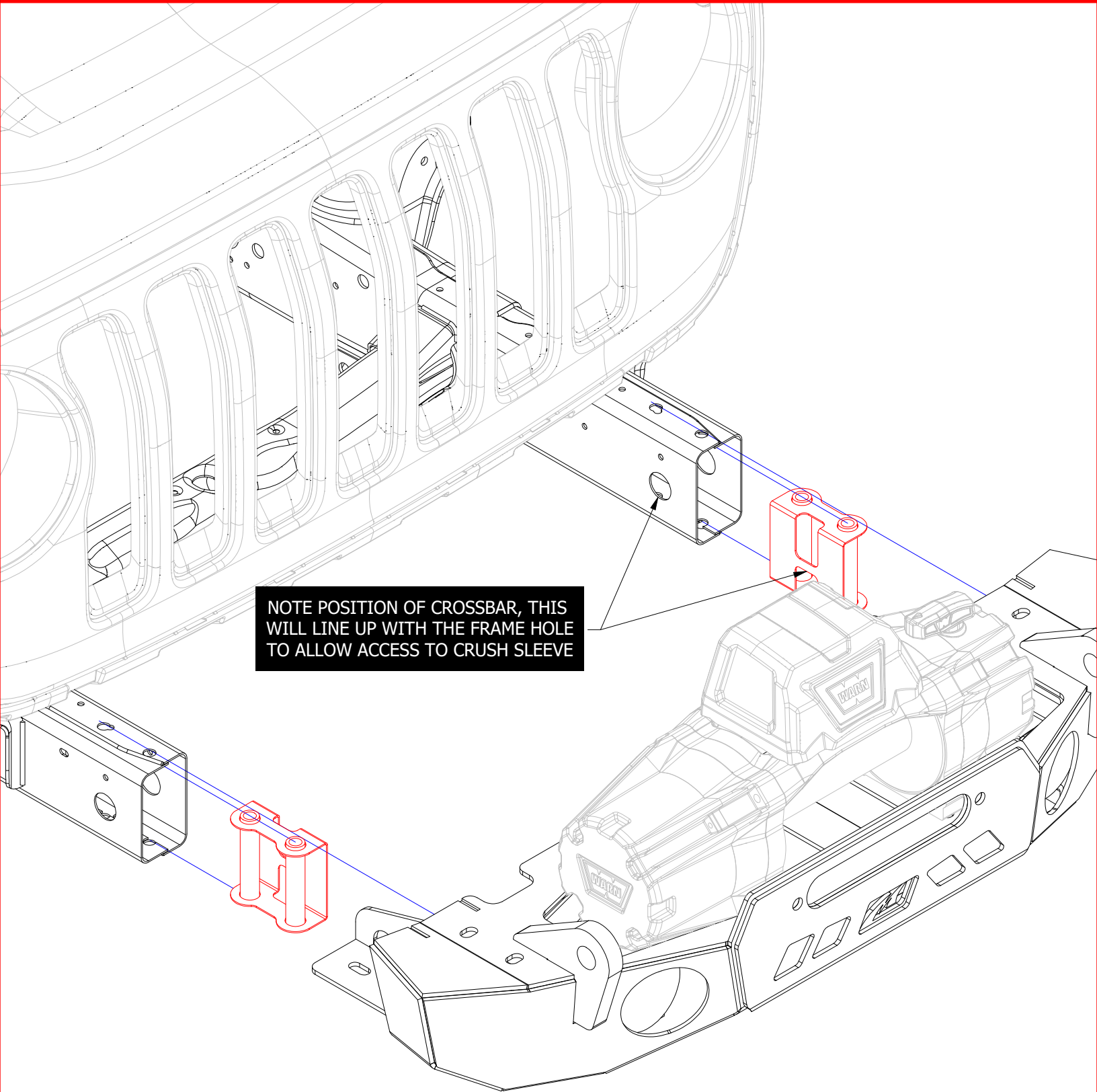
MB1248 - Assembly Instructions Gladius Frame Chop Front Bumper



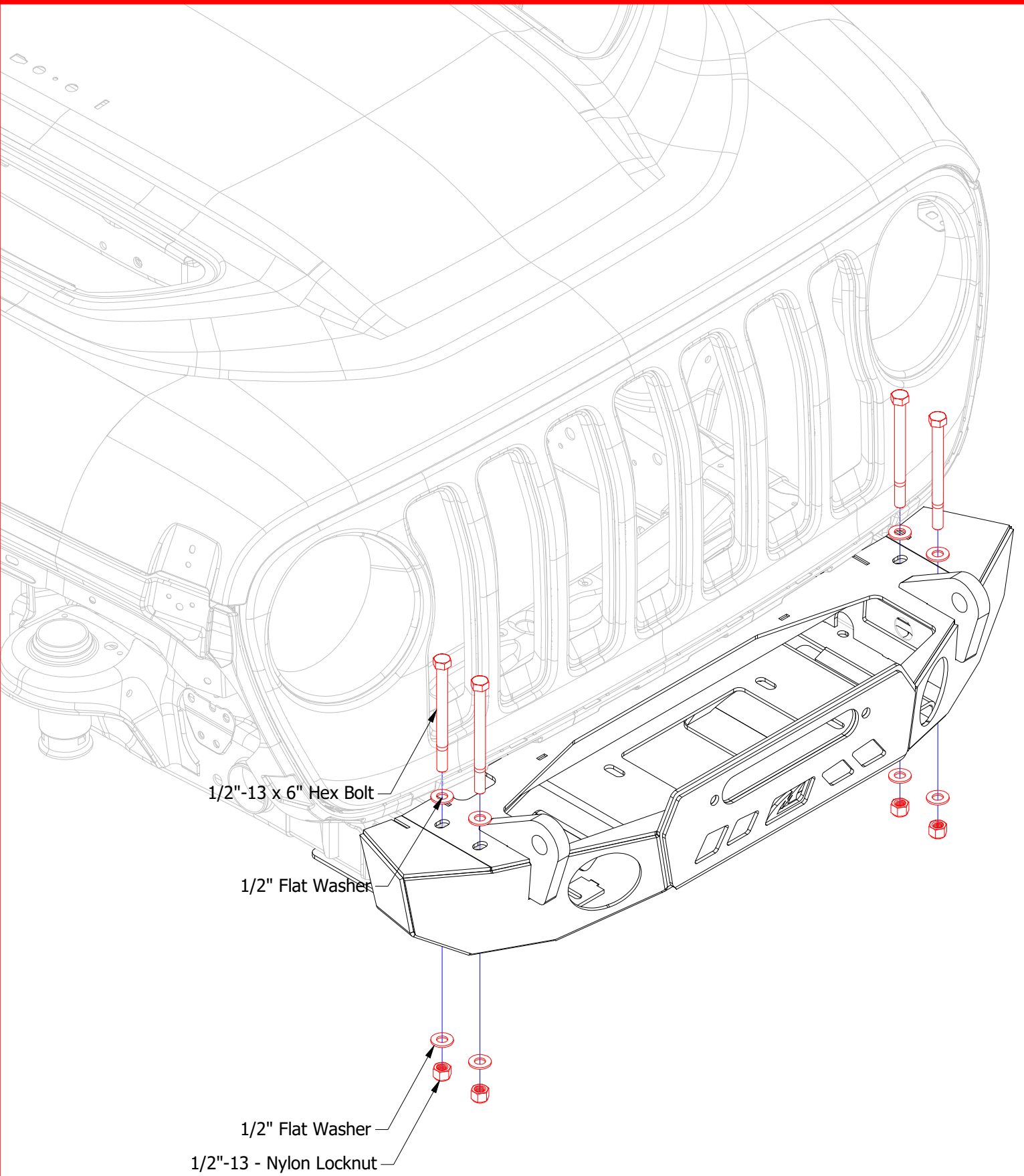
1/4"-20 - Nylon Insert Locknut
1/4" Flat Washer

**NOTE: WINCH AND WINCH
HARDWARE NOT INCLUDED**

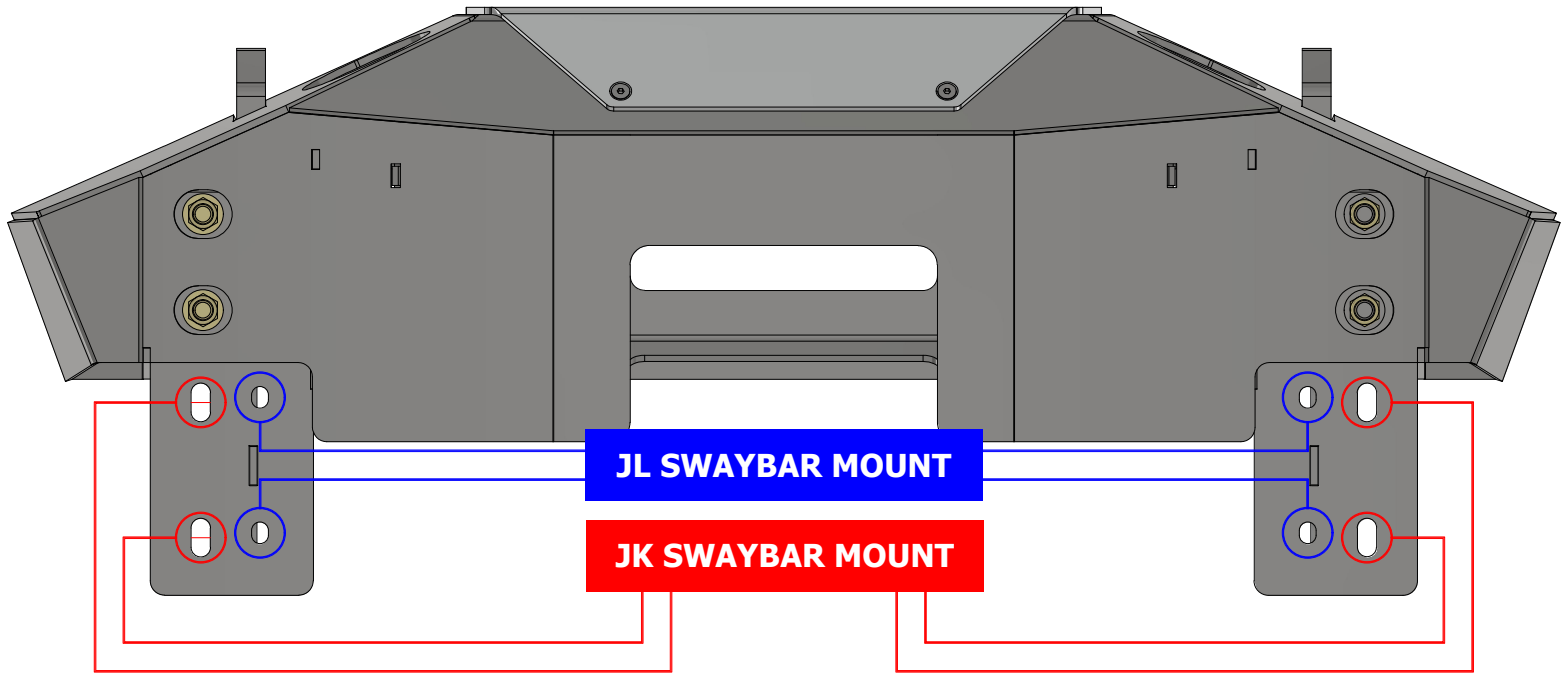
1/4"-20 Countersunk Flat Hex Socket

MB1248 - Assembly Instructions Gladius Frame Chop Front Bumper

MB1248 - Assembly Instructions Gladius Frame Chop Front Bumper



MB1248 - Assembly Instructions Gladius Frame Chop Front Bumper



Jeep JL/JLU/JT Swaybar Compatibility:

The factory swaybar can be modified to fit this product, however the Rubicon swaybar with electronic disconnect IS NOT COMPATIBLE with this bumper.

This product is also compatible with the following Rockjock Antirock Swaybars:
 CE-9900JLF
 CE-9900JLFA

Jeep JK/JKU Swaybar Compatibility:

The factory swaybar can be modified to fit this product, however the Rubicon swaybar with electronic disconnect IS NOT COMPATIBLE with this bumper.

This product is also compatible with the following Rockjock Antirock Swaybars:
 CE-9900JKF
 CE-9900JKFA