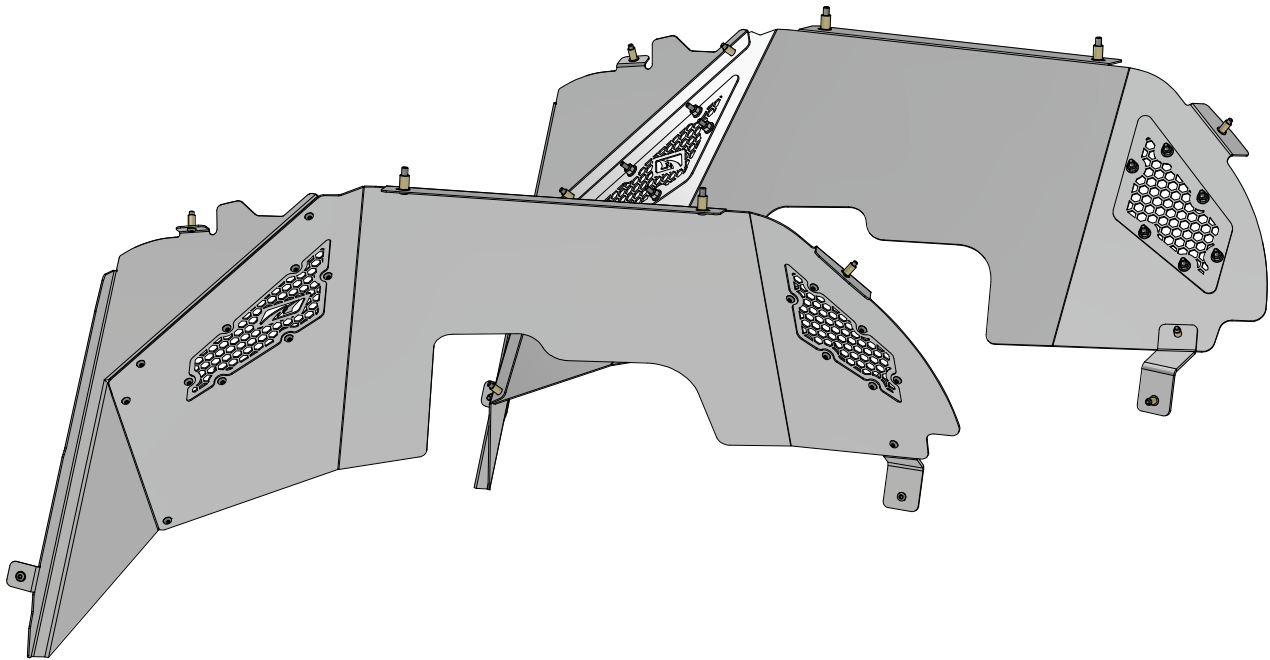
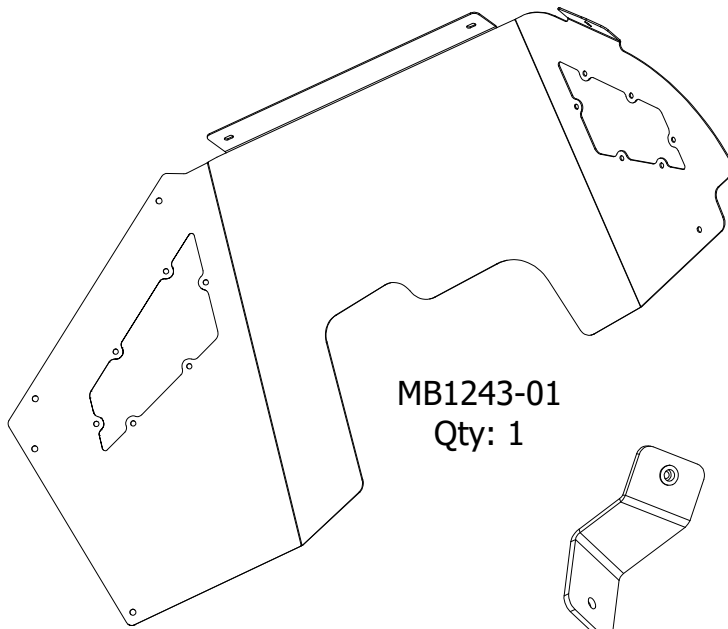


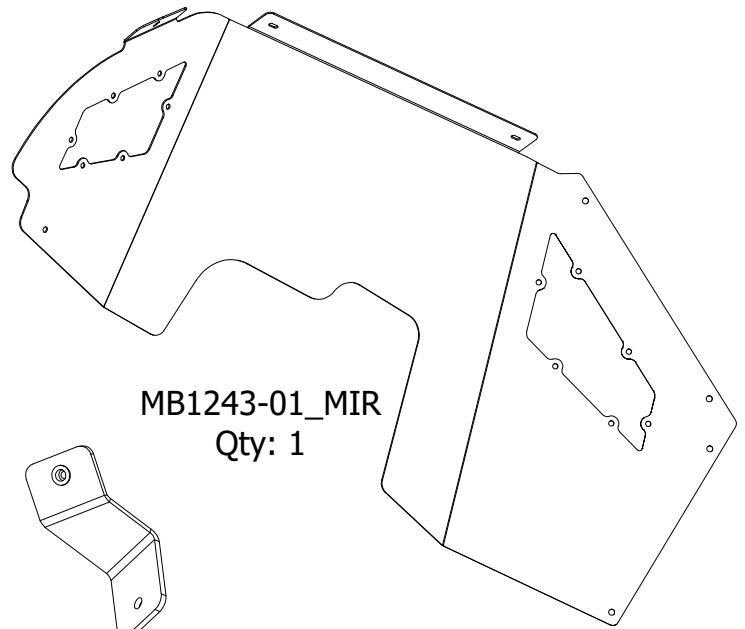
**MB1243 - Assembly Instructions JL / JLU / JT High Clearance Front Inner Fender****MB1243 - HIGH CLEARANCE INNER FENDER**

COMPATIBLE WITH JL / JLU / JT

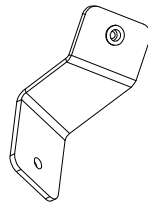
**ASSEMBLY INSTRUCTIONS**

**MB1243 - Shipping JL / JLU / JT High Clearance Front Inner Fender****CONTENTS**

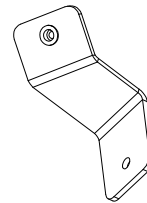
**MB1243-01**  
Qty: 1



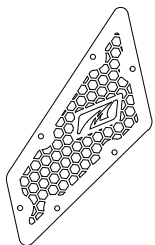
**MB1243-01\_MIR**  
Qty: 1



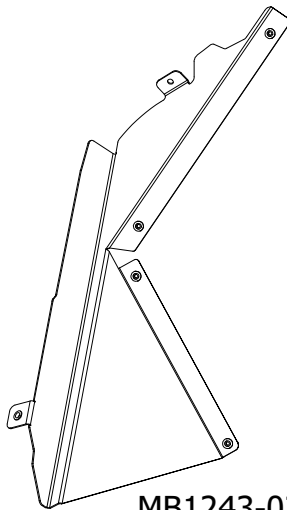
**MB1243-03**  
Qty: 1



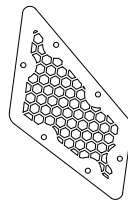
**MB1243-03\_MIR**  
Qty: 1



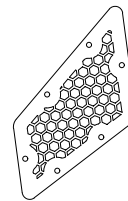
**MB1243-05**  
Qty: 1



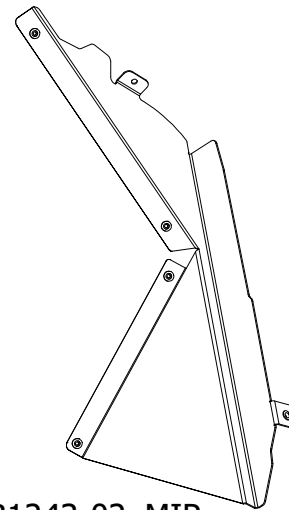
**MB1243-02**  
Qty: 1



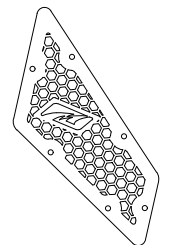
**MB1243-04**  
Qty: 1



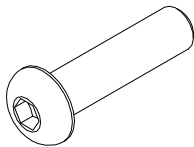
**MB1243-04\_MIR**  
Qty: 1



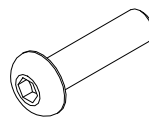
**MB1243-02\_MIR**  
Qty: 1



**MB1243-05\_MIR**  
Qty: 1



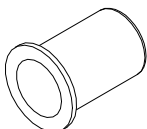
**1/4"x20 x 1" Button Head Screw**  
Qty: 4



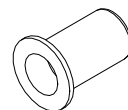
**#10-24 x 3/4" Button Head Screw**  
Qty: 42



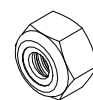
**#10 Flat Washer**  
Qty: 24



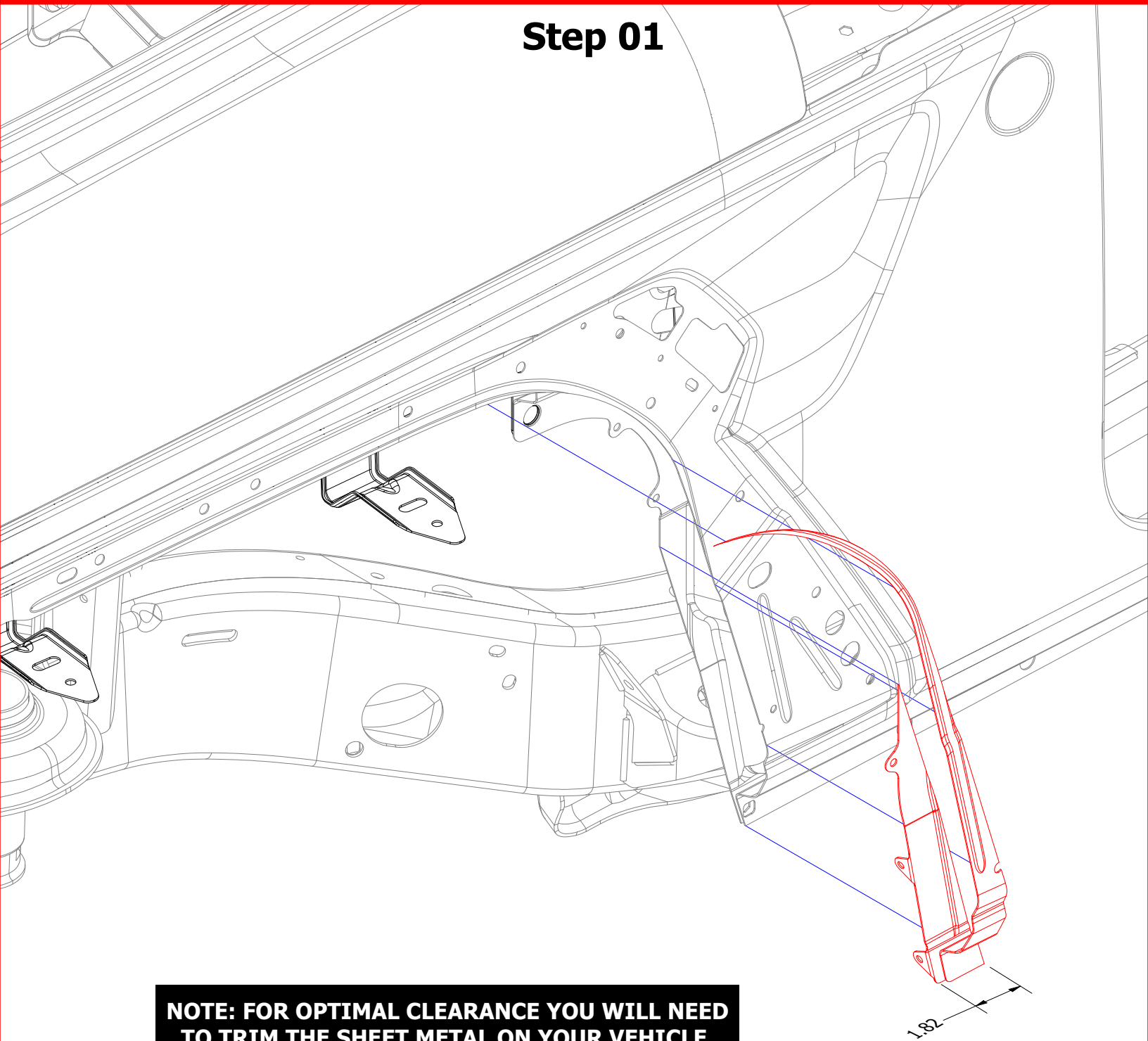
**1/4"-20 Rivnut**  
Qty: 6



**#10-24 Rivnut**  
Qty: 10



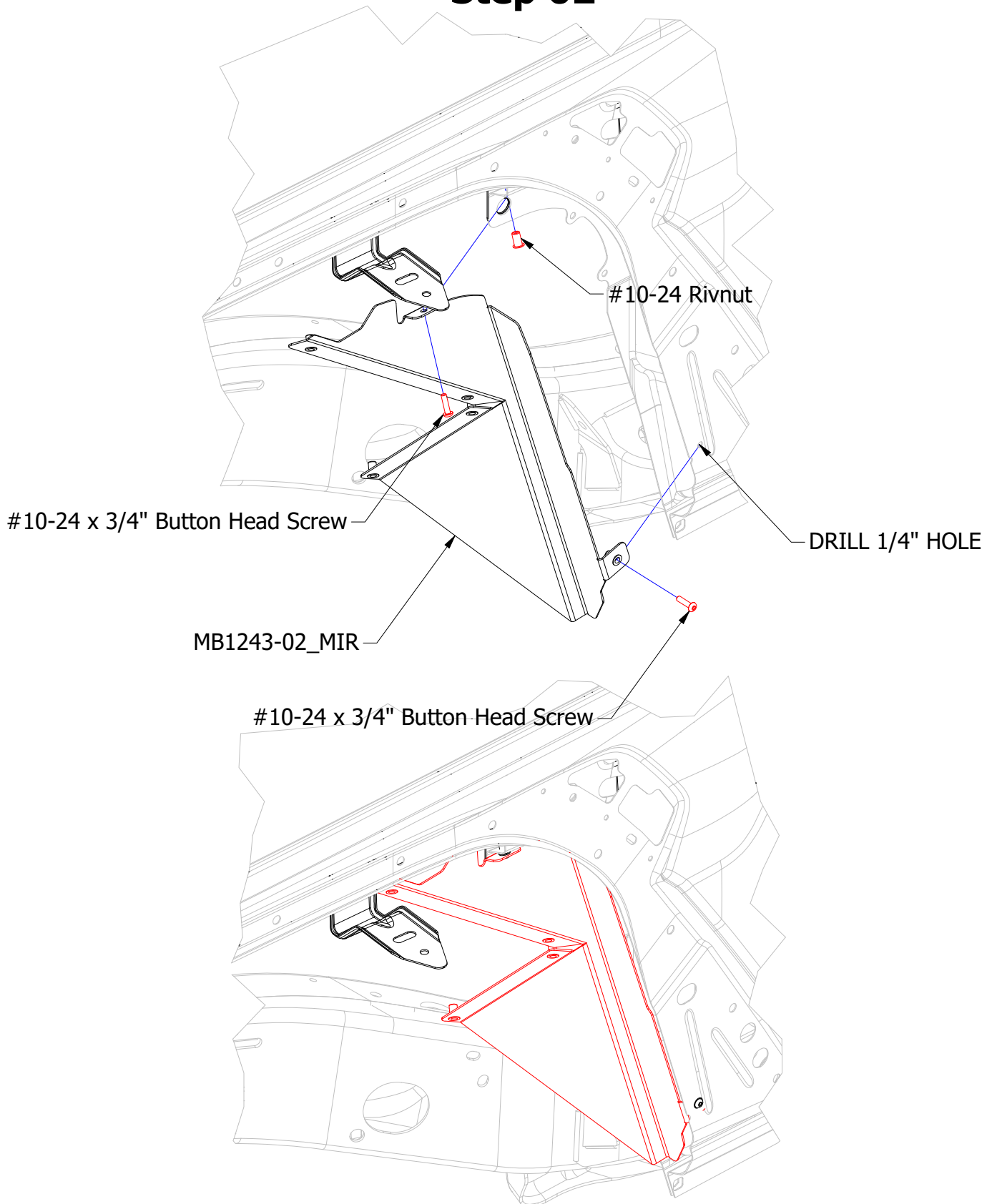
**#10-24 Nylon Insert Locknut**  
Qty: 24

**MB1243 - Assembly Instructions JL / JLU / JT High Clearance Front Inner Fender****Step 01**

**NOTE: FOR OPTIMAL CLEARANCE YOU WILL NEED TO TRIM THE SHEET METAL ON YOUR VEHICLE. MEASUREMENT FOR REFERENCE ONLY, VEHICLE SETUP WILL VARY.**

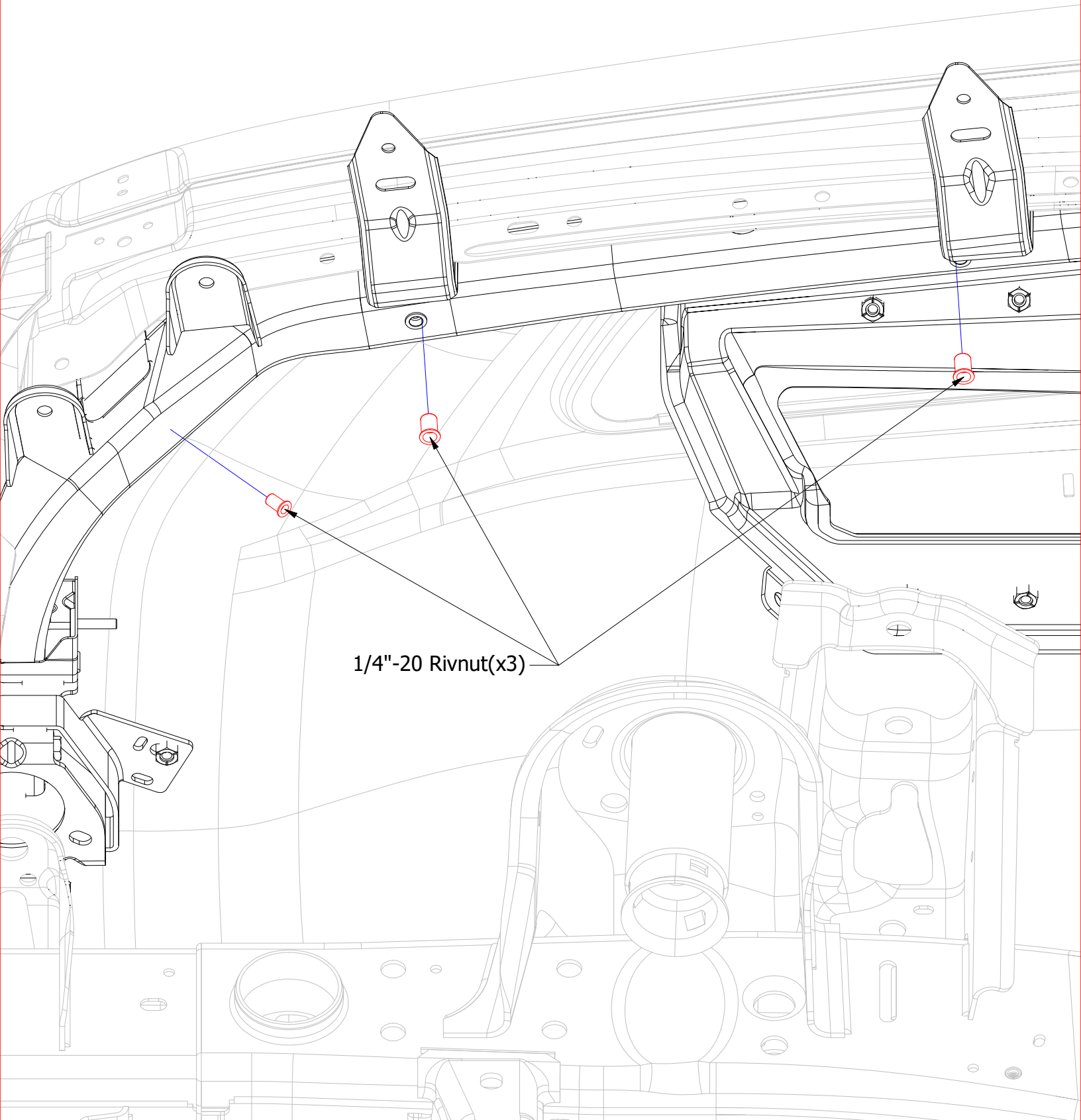
**MB1243 - Assembly Instructions JL / JLU / JT High Clearance Front Inner Fender**

**Step 02**



**MB1243 - Assembly Instructions JL / JLU / JT High Clearance Front Inner Fender**

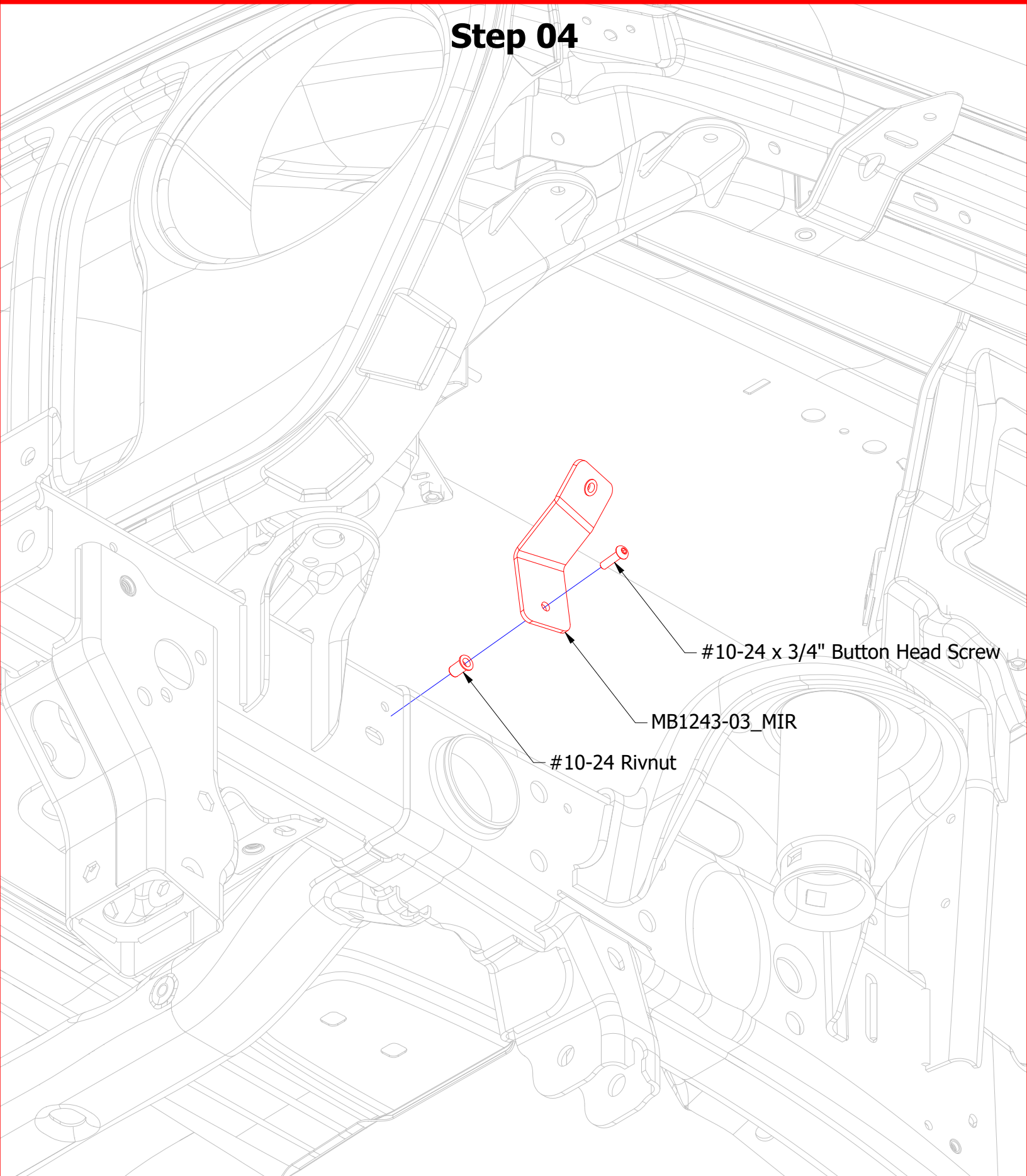
**Step 03**



1/4"-20 Rivnut(x3)

**MB1243 - Assembly Instructions JL / JLU / JT High Clearance Front Inner Fender**

**Step 04**



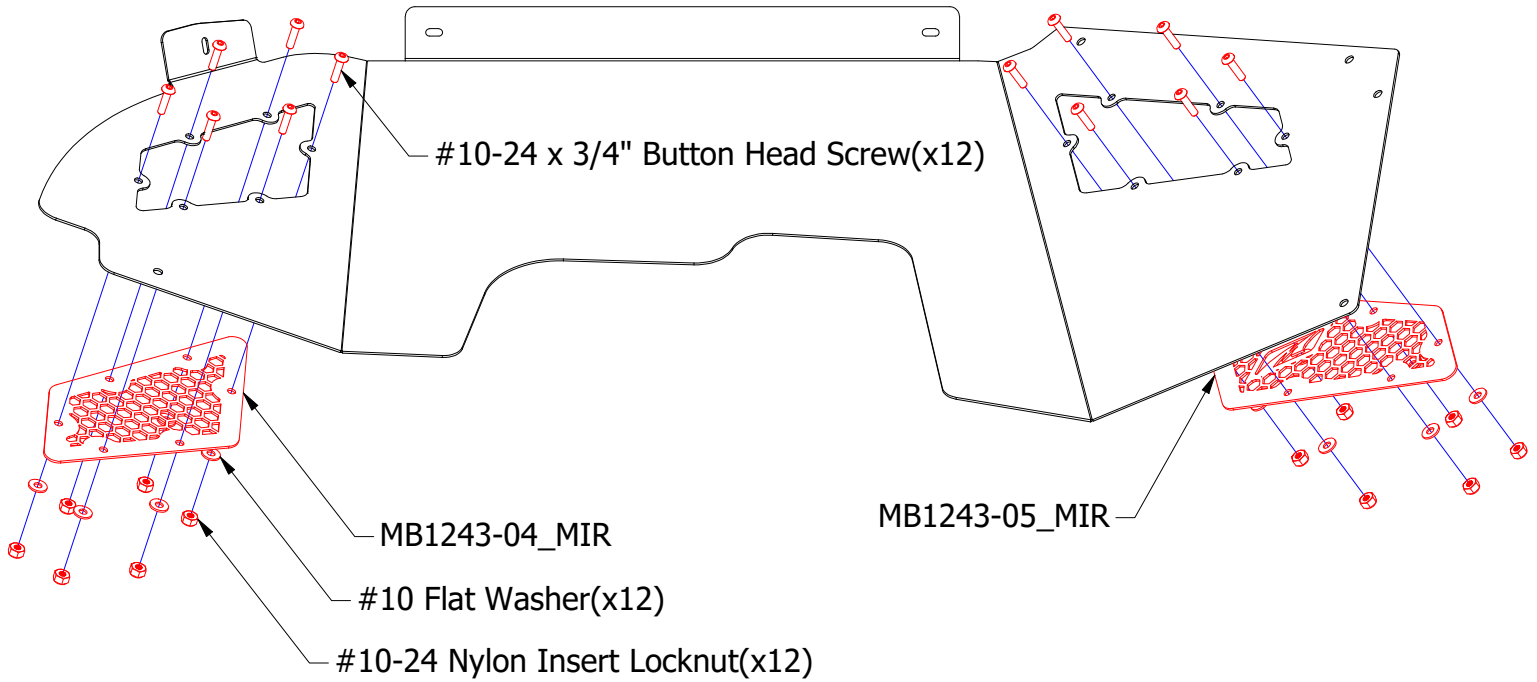
#10-24 x 3/4" Button Head Screw

MB1243-03\_MIR

#10-24 Rivnut

MB1243 - Assembly Instructions JL / JLU / JT High Clearance Front Inner Fender

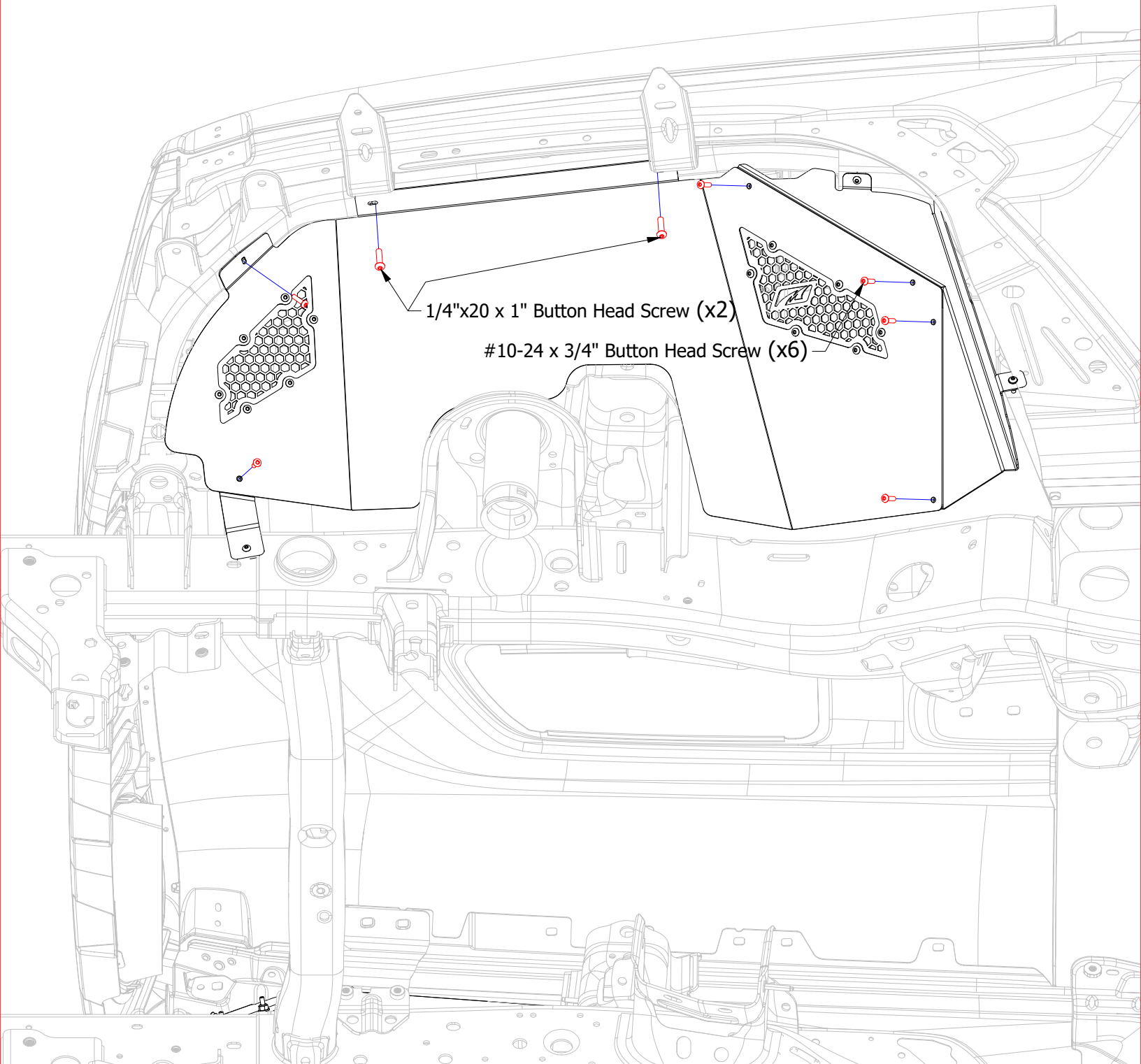
Step 05



**NOTE: VENT PANELS CAN BE MOUNTED ON EITHER SIDE. M LOGO SHOULD APPEAR AS SHOWN.**

**MB1243 - Assembly Instructions JL / JLU / JT High Clearance Front Inner Fender**

**Step 06**



1/4"x20 x 1" Button Head Screw (x2)

#10-24 x 3/4" Button Head Screw (x6)