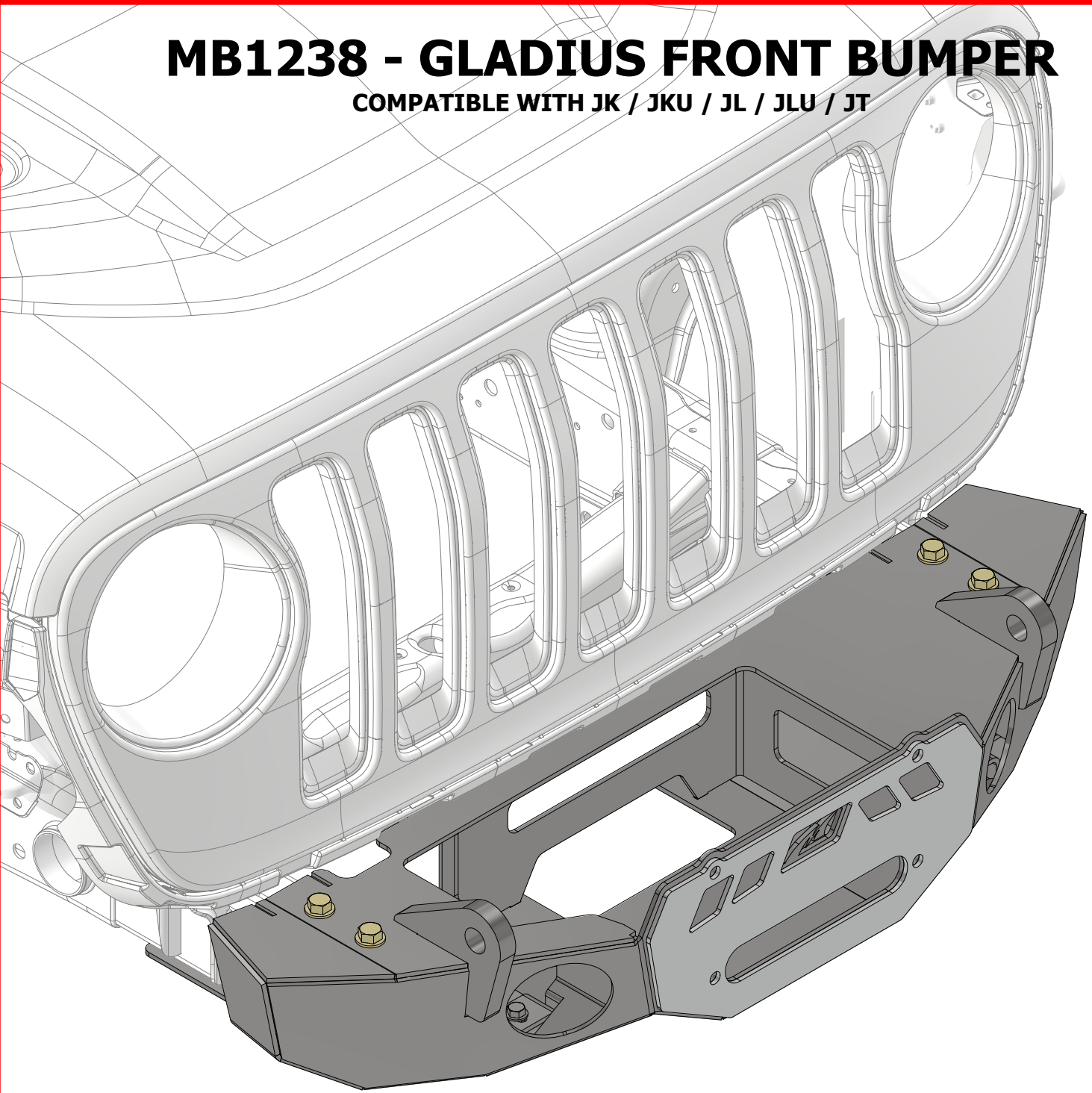


MB1238 - GLADIUS FRONT BUMPER

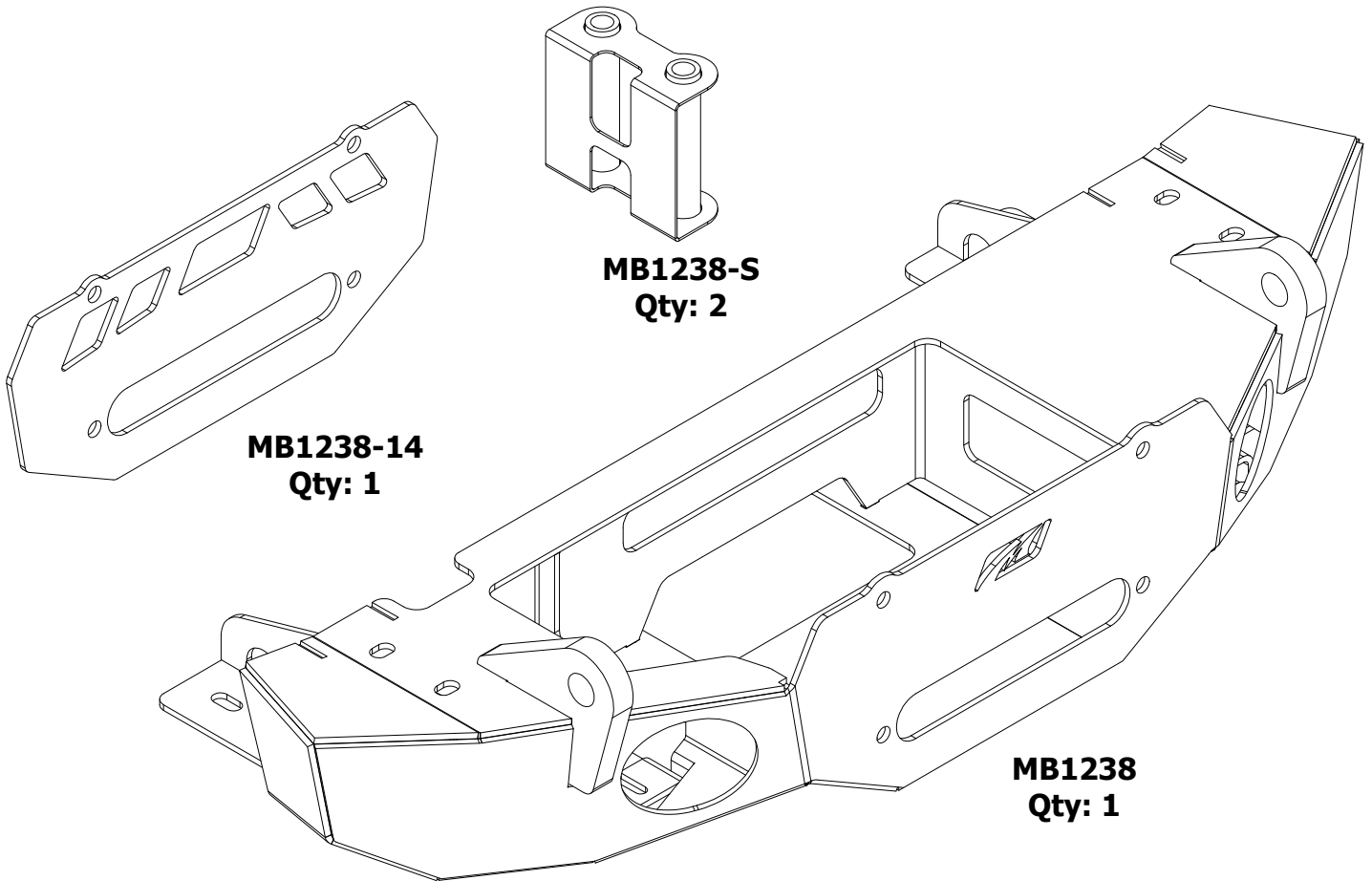
COMPATIBLE WITH JK / JKU / JL / JLU / JT



ASSEMBLY INSTRUCTIONS

MB1238 - Shipping Gladius Frame Chop Front Bumper for M8274

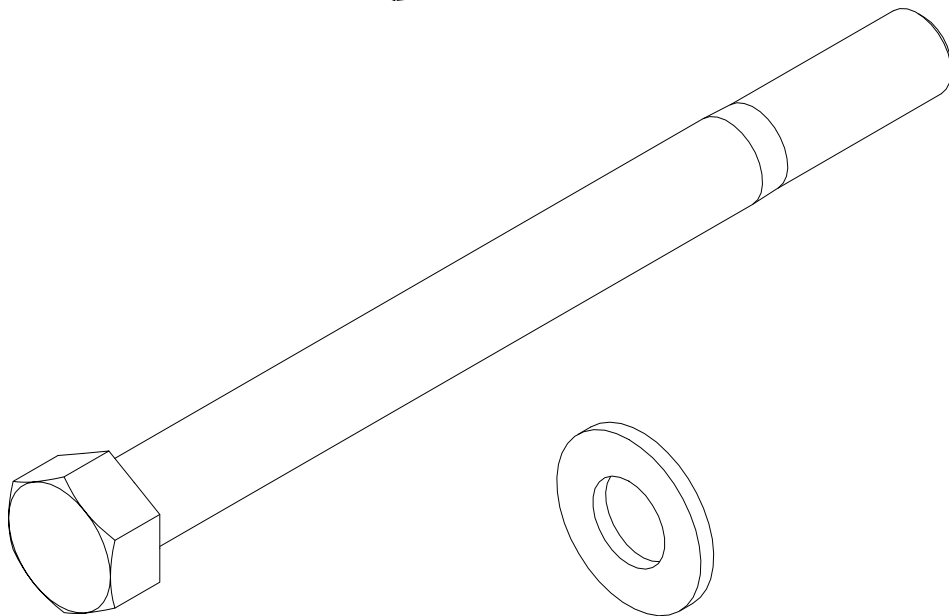
CONTENTS



MB1238-14
Qty: 1

MB1238-S
Qty: 2

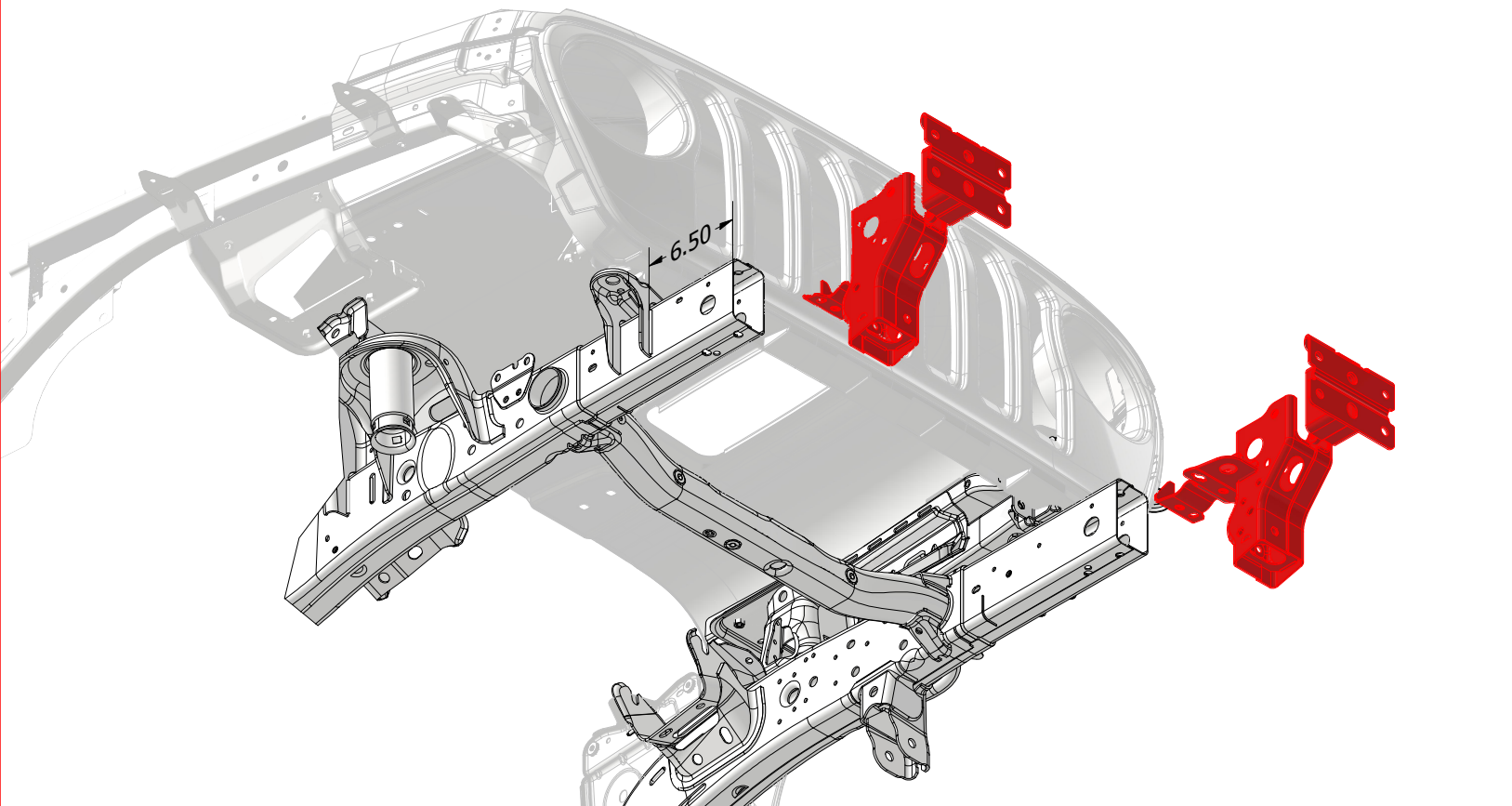
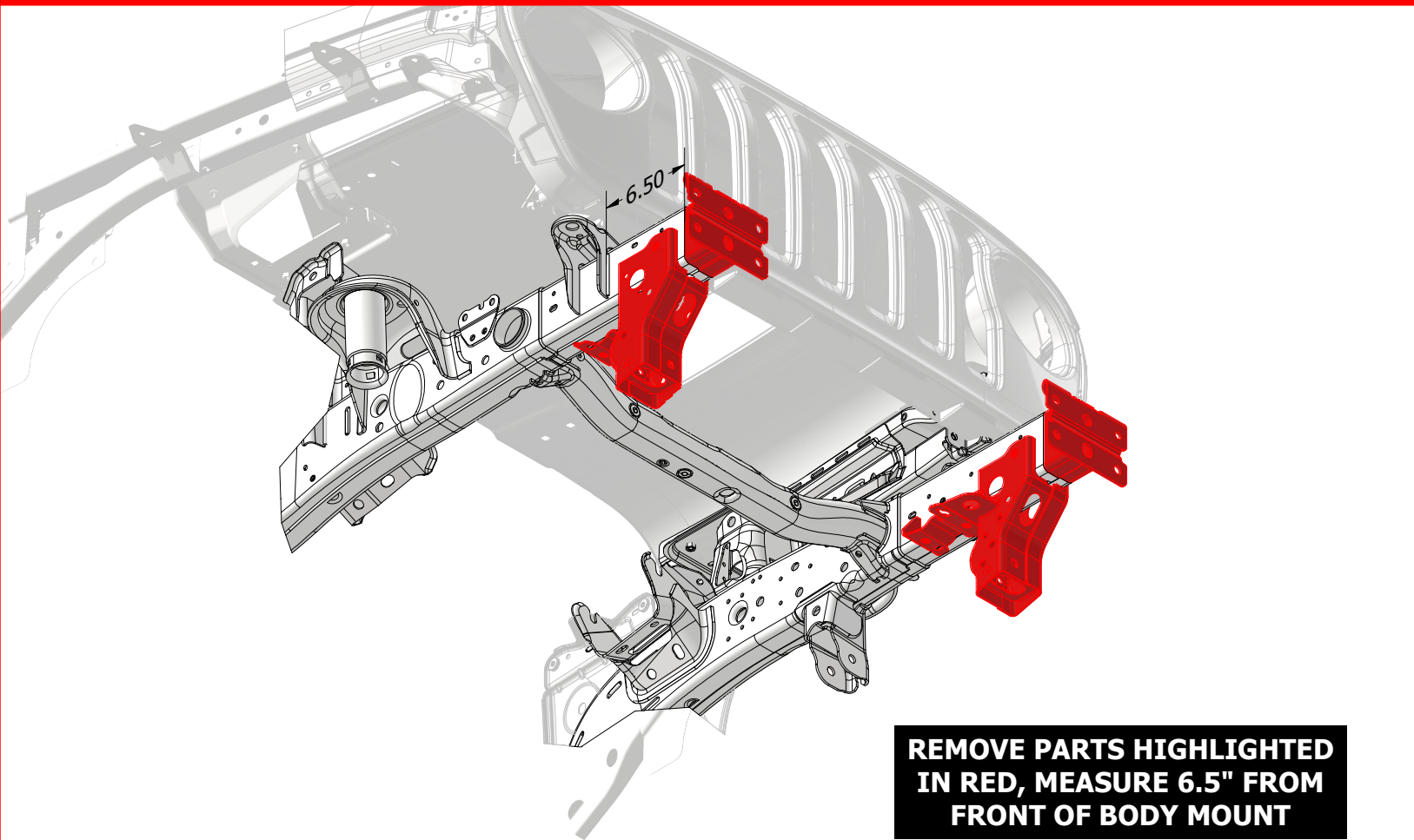
MB1238
Qty: 1

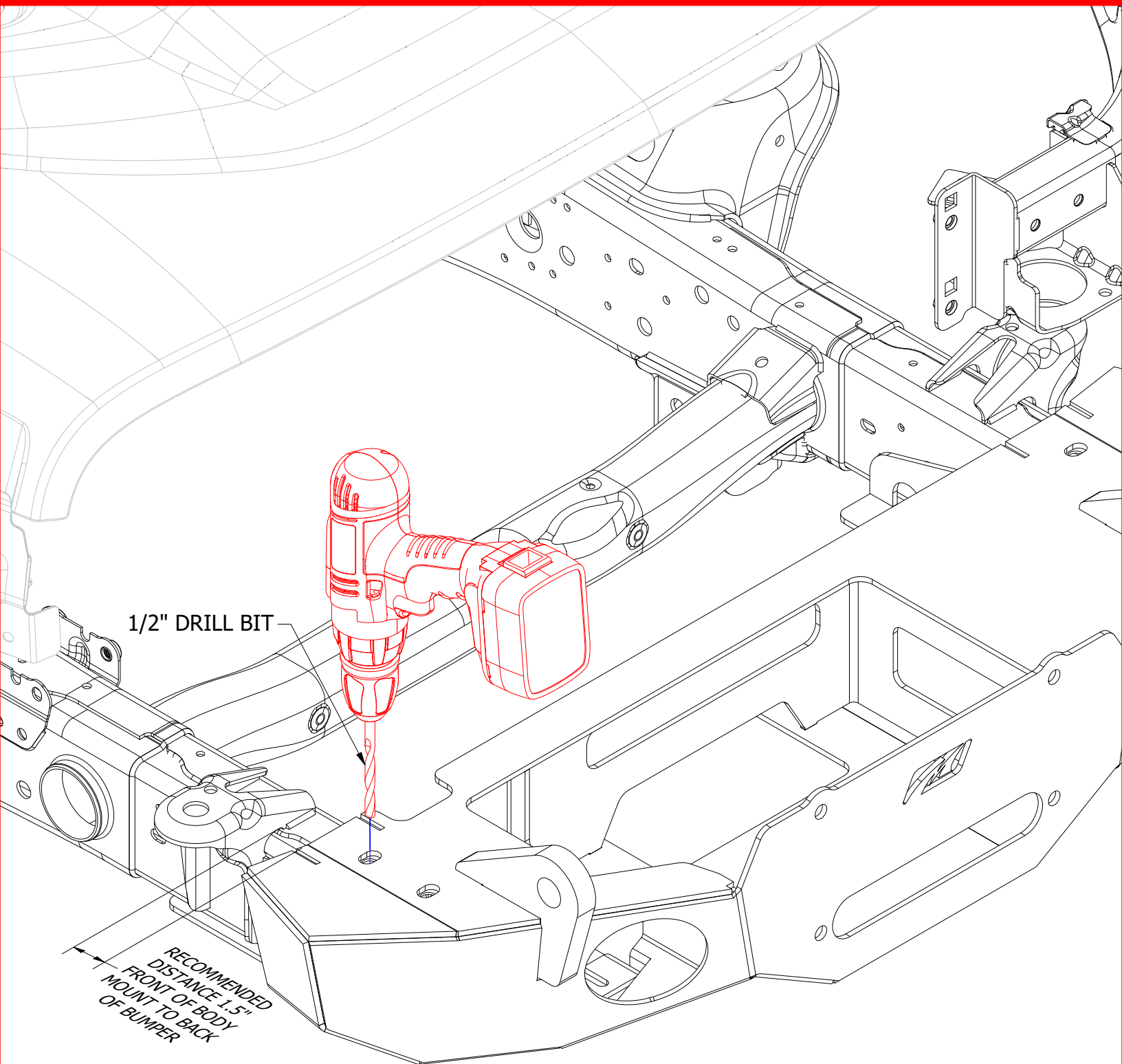


1/2"-13 x 6" Hex Bolt
Qty: 4

1/2" Flat Washer
Qty: 8

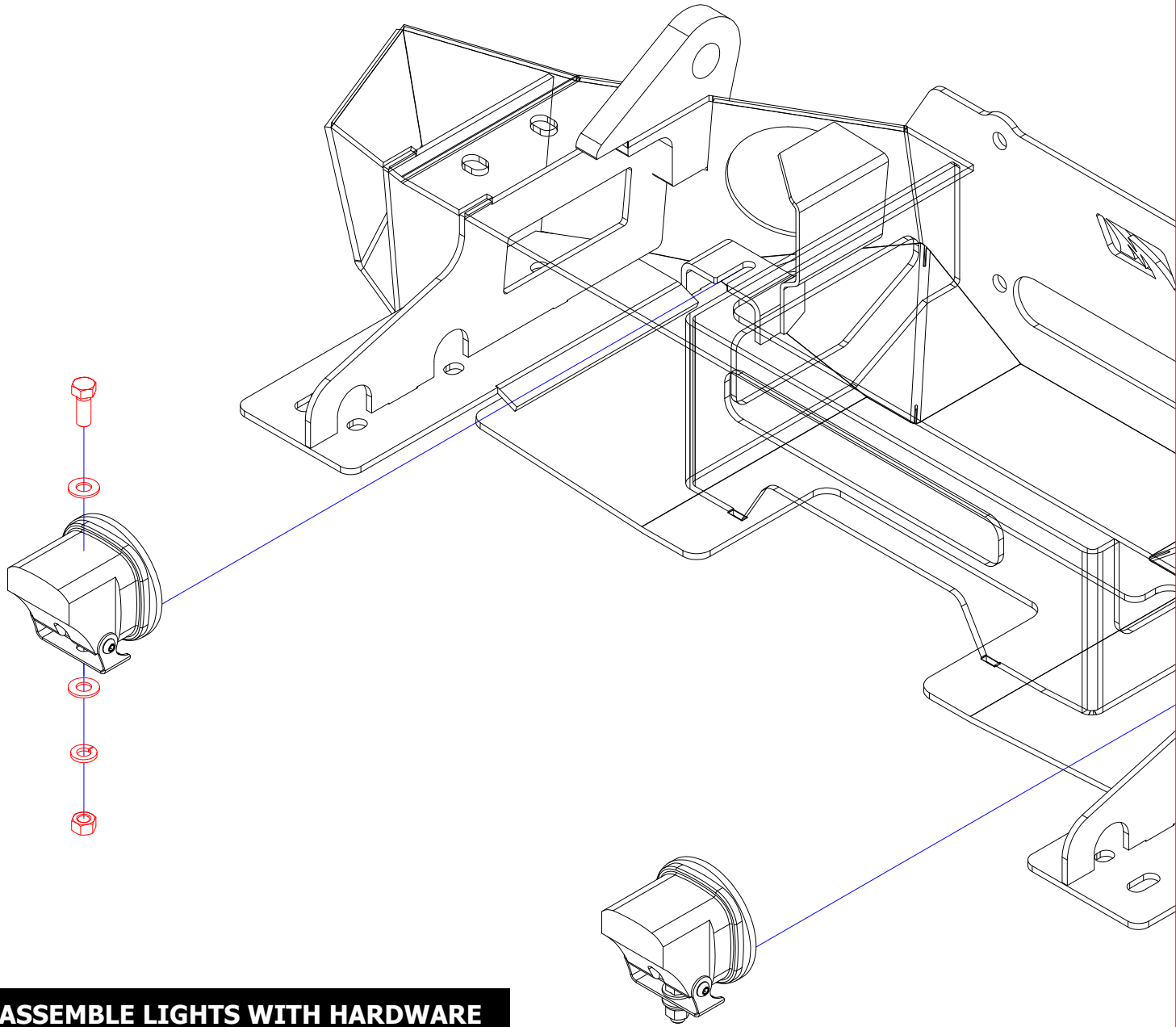
1/2"-13 - Nylon Locknut
Qty: 4

MB1238 - Assembly Instructions Gladius Frame Chop Front Bumper for M8274

MB1238 - Assembly Instructions Gladius Frame Chop Front Bumper for M8274

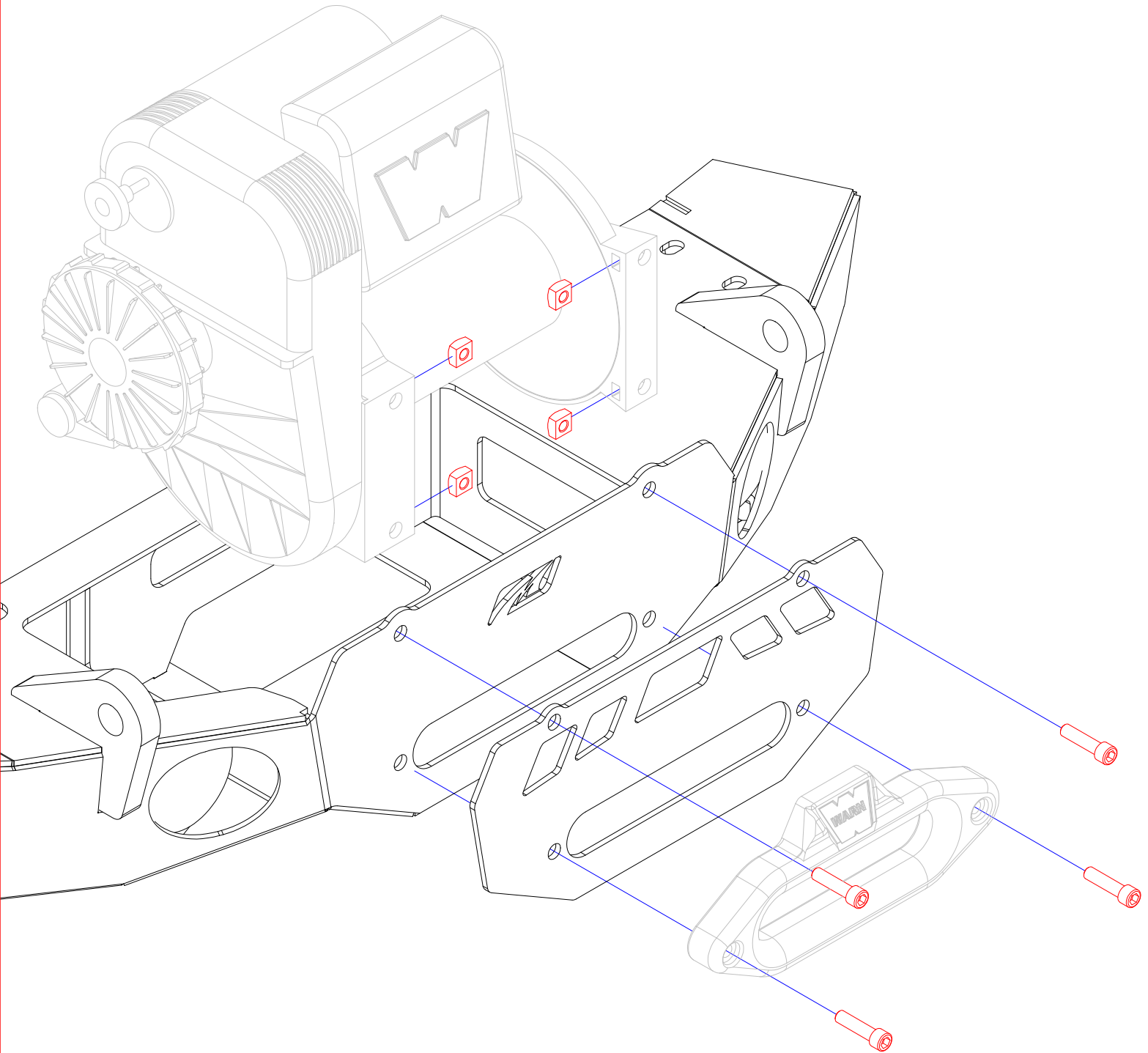
**USE BUMPER TO MARK HOLES TOP AND BOTTOM
REMOVE BUMPER AND DRILL HOLES
DO NOT DRILL THROUGH TOP AND BOTTOM AT THE SAME TIME**

MB1238 - Assembly Instructions Gladius Frame Chop Front Bumper for M8274

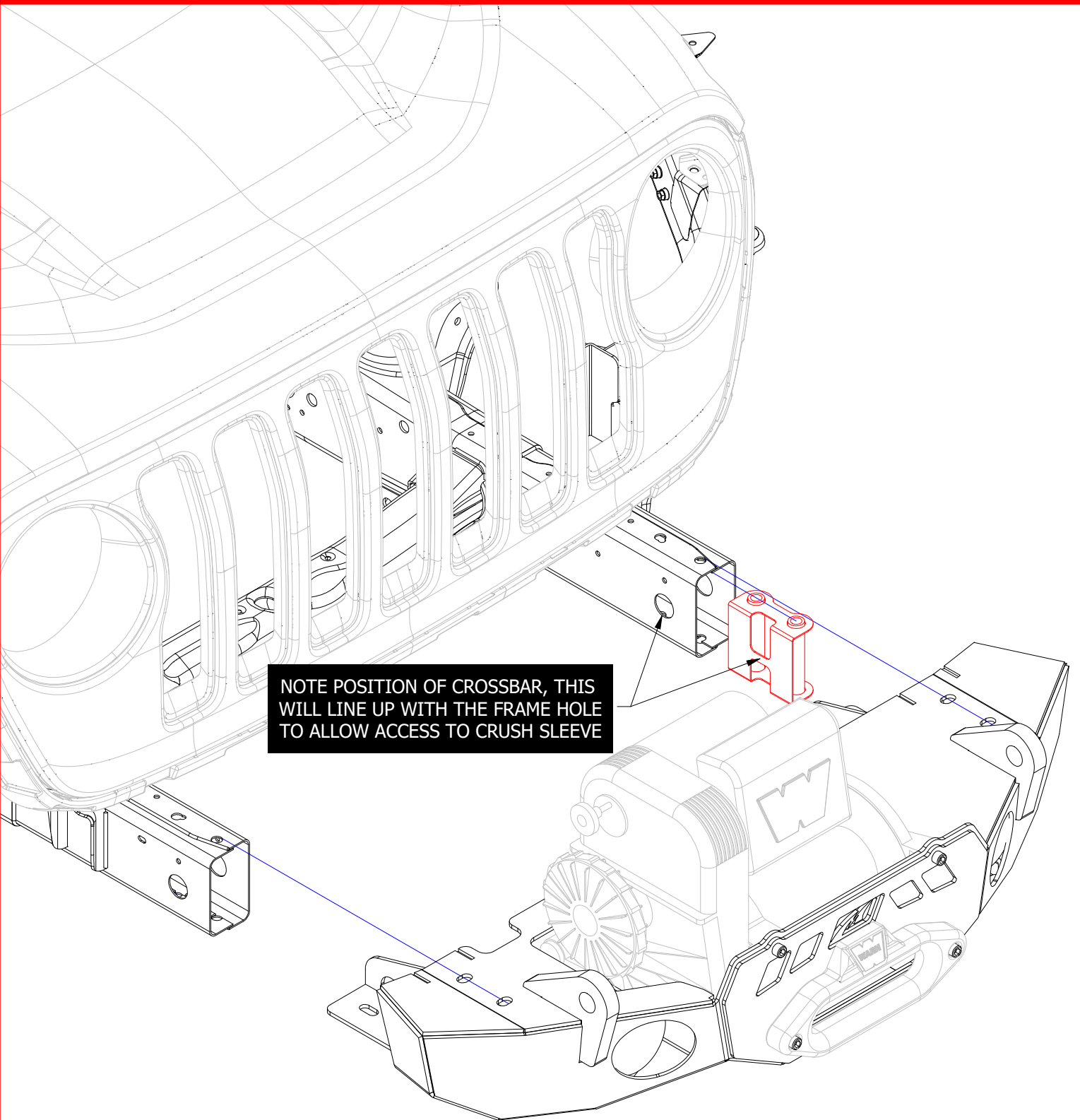


ASSEMBLE LIGHTS WITH HARDWARE PROVIDED BY MFG LOOSE, TO ALLOW LIGHT TO SLIDE LIGHT ONTO BRACKET

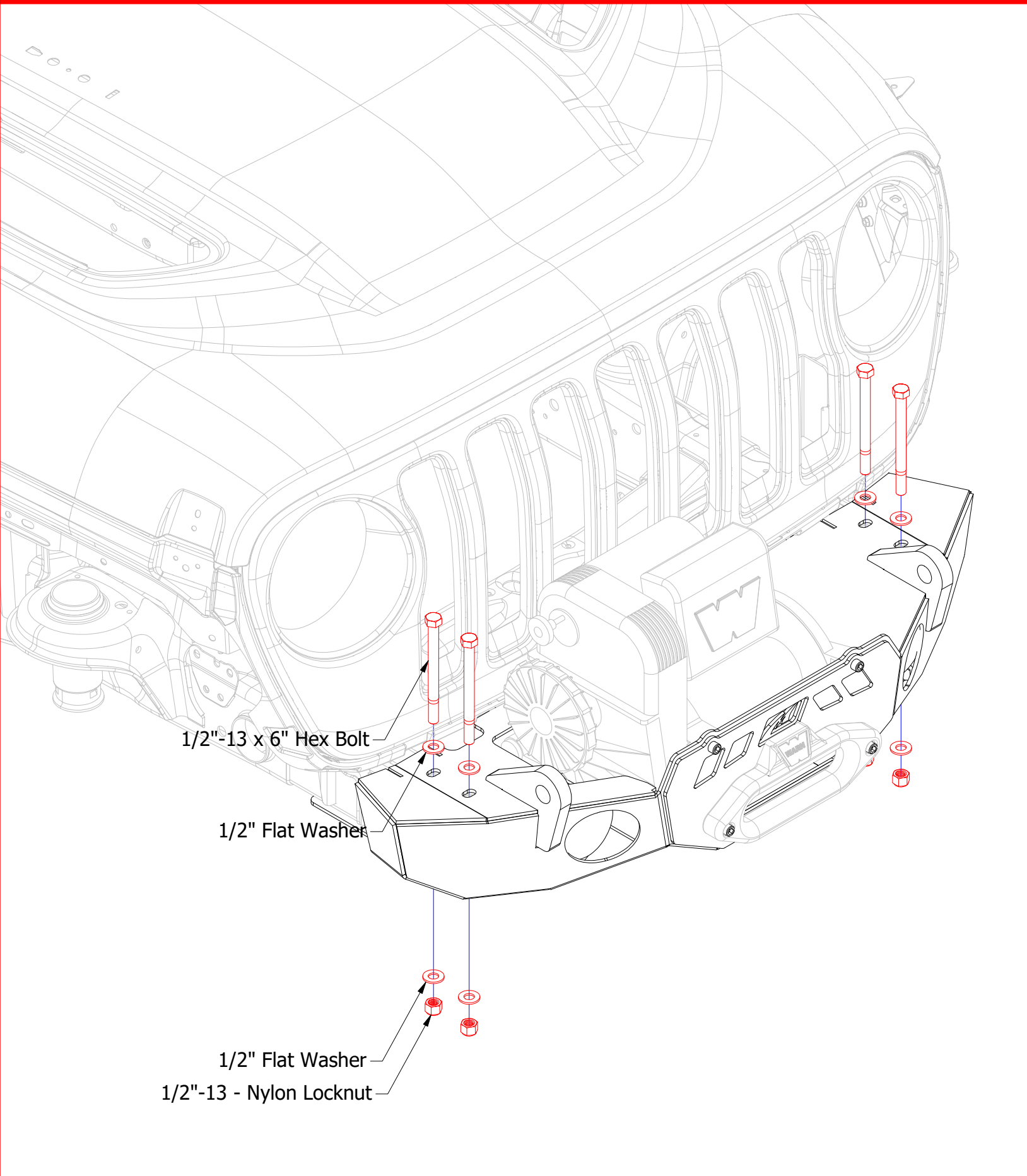
MB1238 - Assembly Instructions Gladius Frame Chop Front Bumper for M8274



**NOTE: WINCH AND WINCH
HARDWARE NOT INCLUDED**

MB1238 - Assembly Instructions Gladius Frame Chop Front Bumper for M8274

MB1238 - Assembly Instructions Gladius Frame Chop Front Bumper for M8274



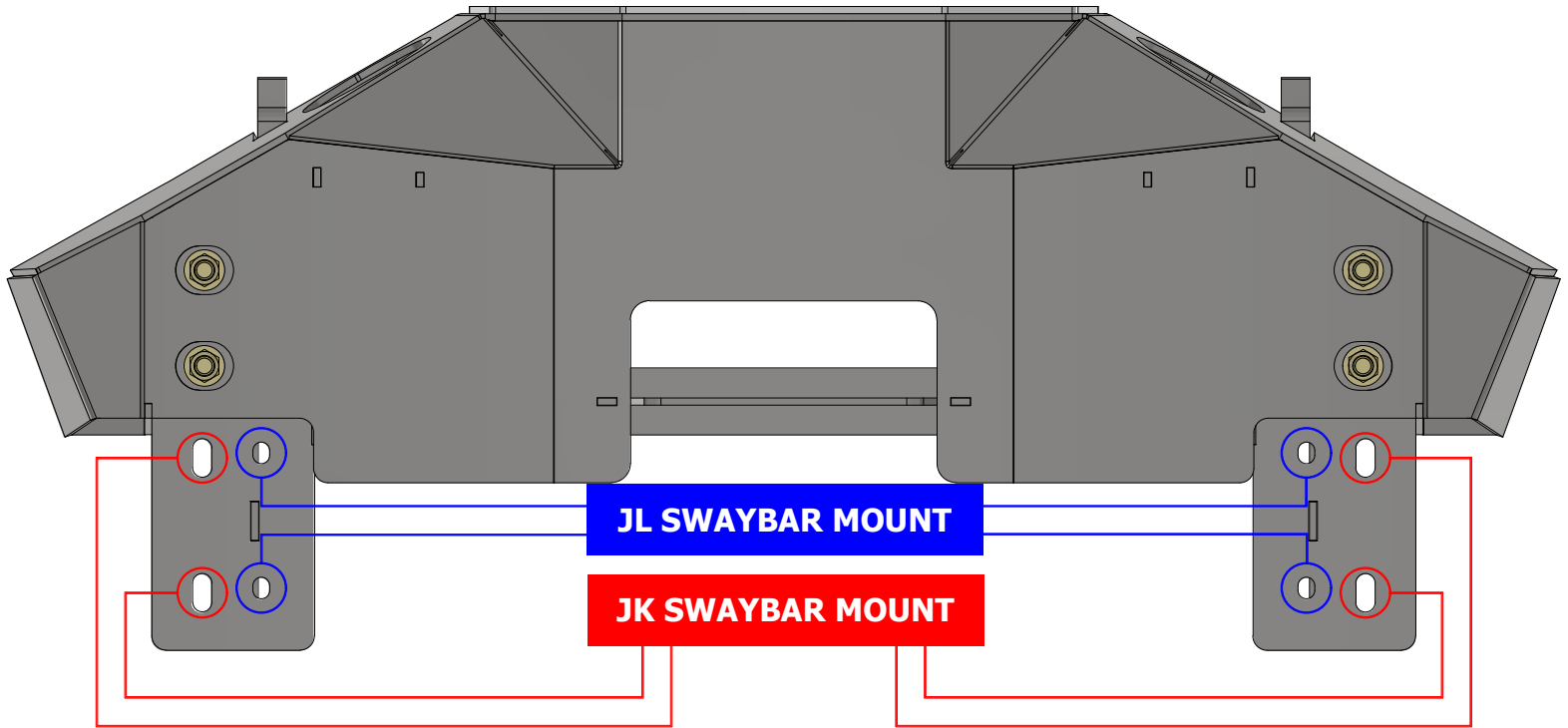
1/2"-13 x 6" Hex Bolt

1/2" Flat Washer

1/2" Flat Washer

1/2"-13 - Nylon Locknut

MB1238 - Assembly Instructions Gladius Frame Chop Front Bumper for M8274



Jeep JL/JLU/JT Swaybar Compatibility:

The factory swaybar can be modified to fit this product, however the Rubicon swaybar with electronic disconnect IS NOT COMPATIBLE with this bumper.

This product is also compatible with the following Rockjock Antirock Swaybars:

- CE-9900JLF
- CE-9900JLFA

Jeep JK/JKU Swaybar Compatibility:

The factory swaybar can be modified to fit this product, however the Rubicon swaybar with electronic disconnect IS NOT COMPATIBLE with this bumper.

This product is also compatible with the following Rockjock Antirock Swaybars:

- CE-9900JKF
- CE-9900JKFA