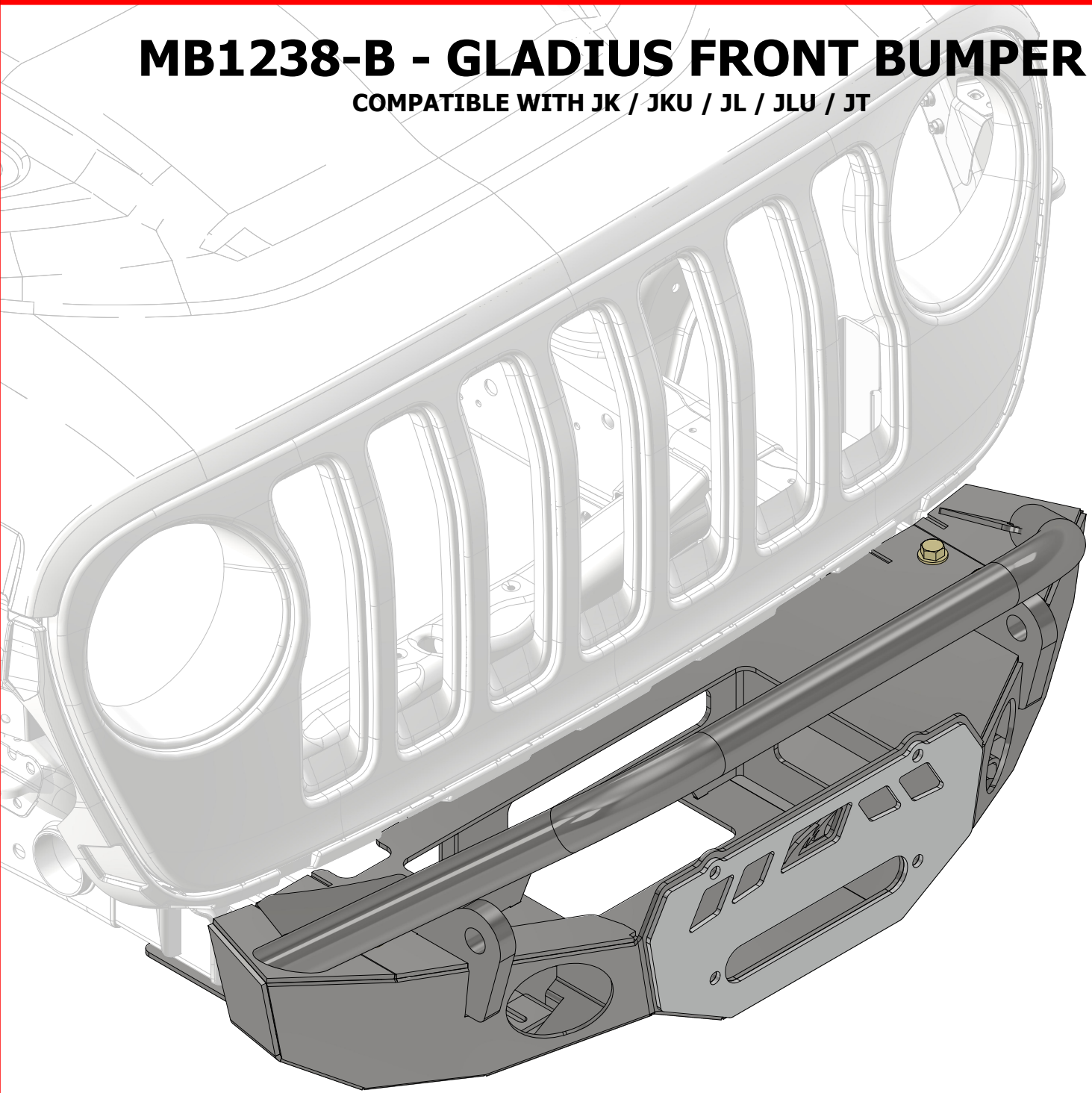


# **MB1238-B - GLADIUS FRONT BUMPER**

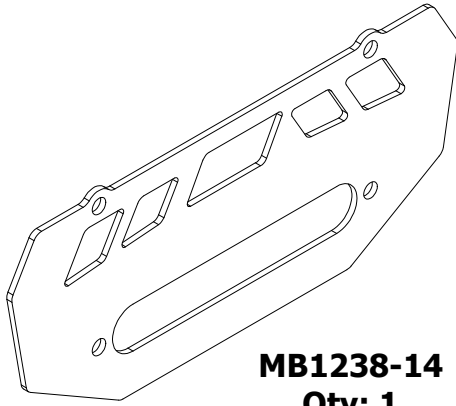
**COMPATIBLE WITH JK / JKU / JL / JLU / JT**



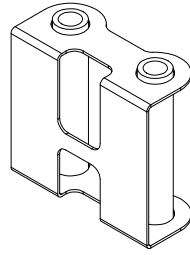
## **ASSEMBLY INSTRUCTIONS**

**MB1238-B - Shipping Gladius Frame Chop Front Bumper for M8274**

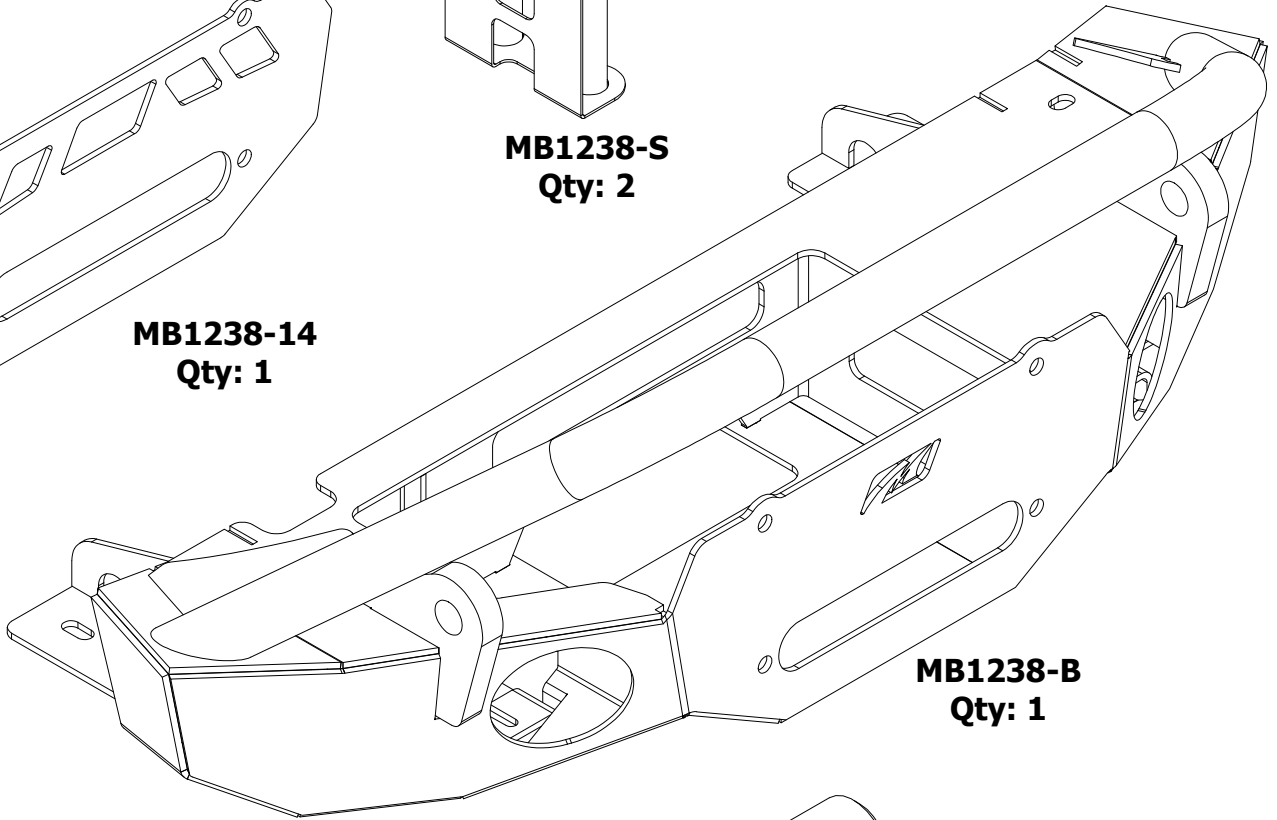
**CONTENTS**



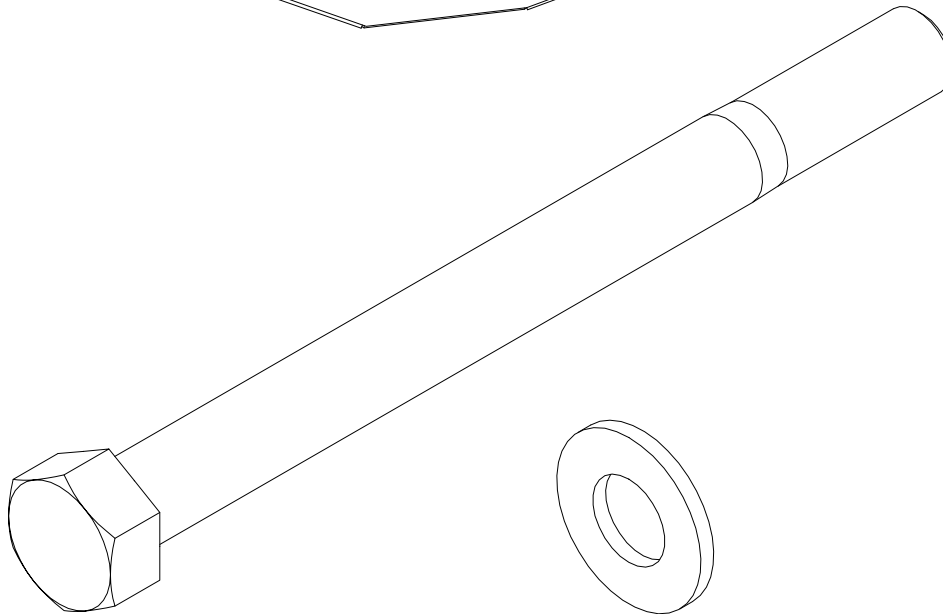
**MB1238-14**  
Qty: 1



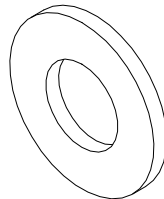
**MB1238-S**  
Qty: 2



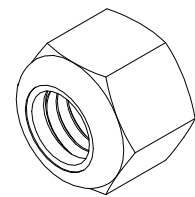
**MB1238-B**  
Qty: 1



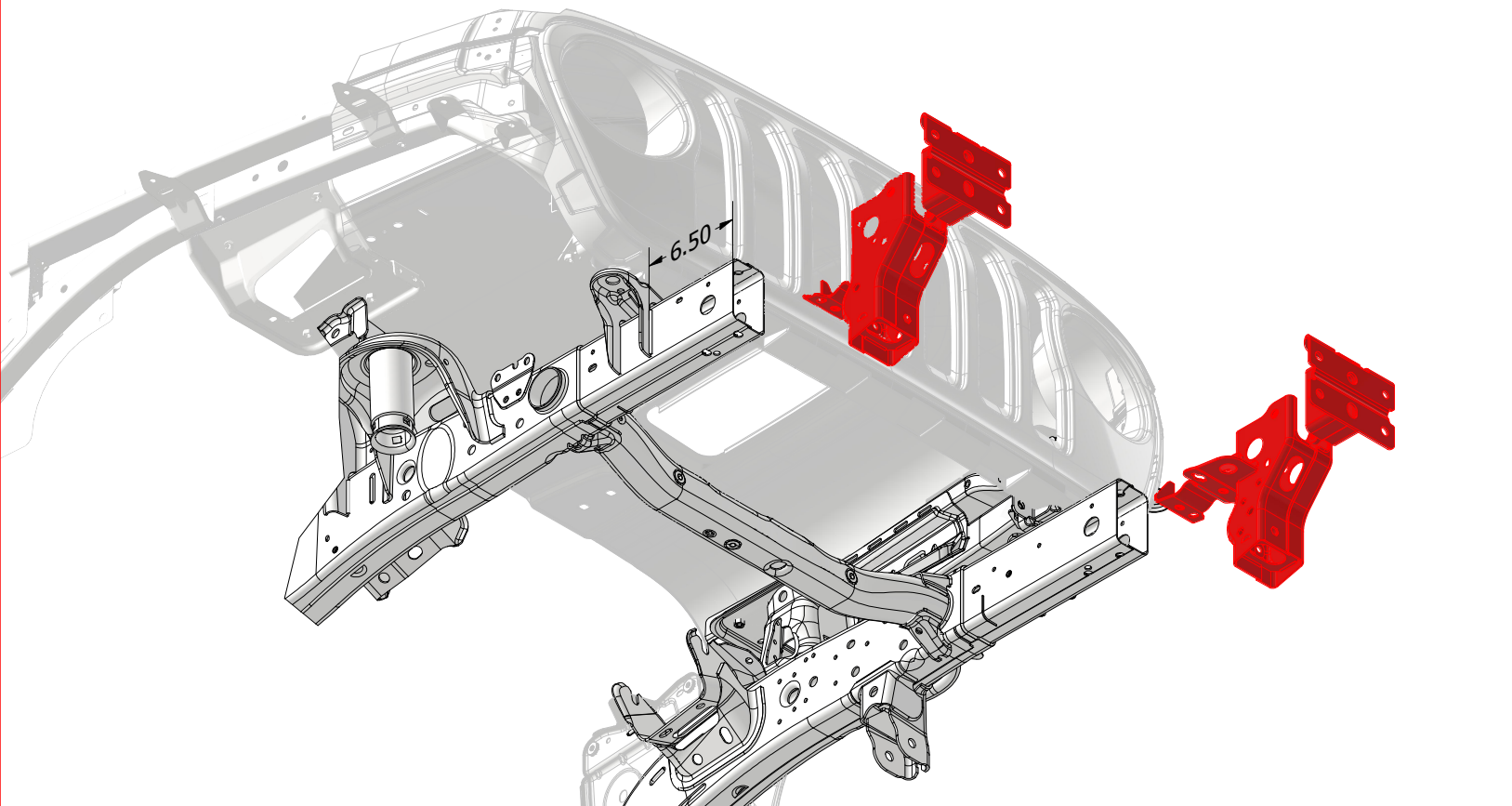
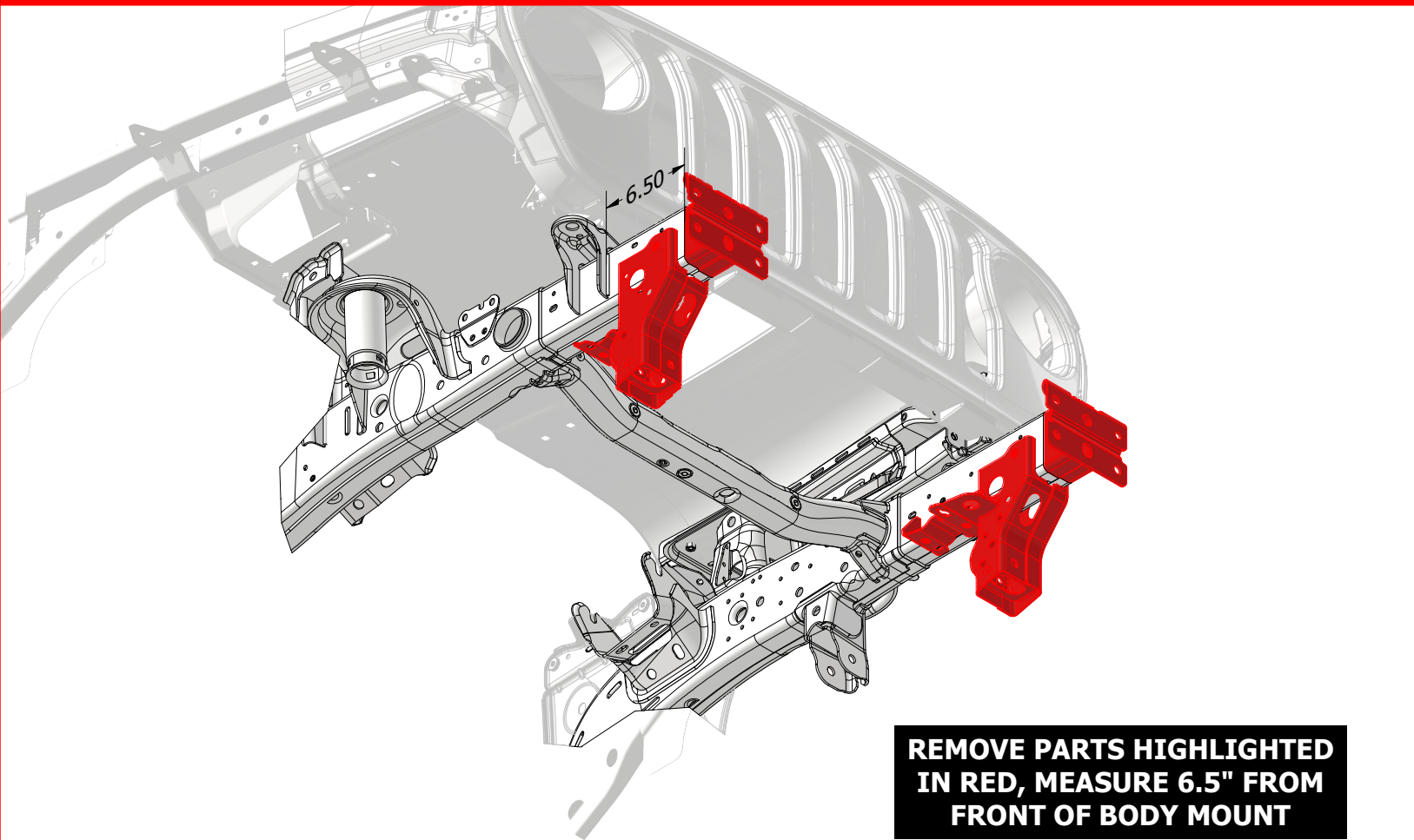
**1/2"-13 x 6" Hex Bolt**  
Qty: 4

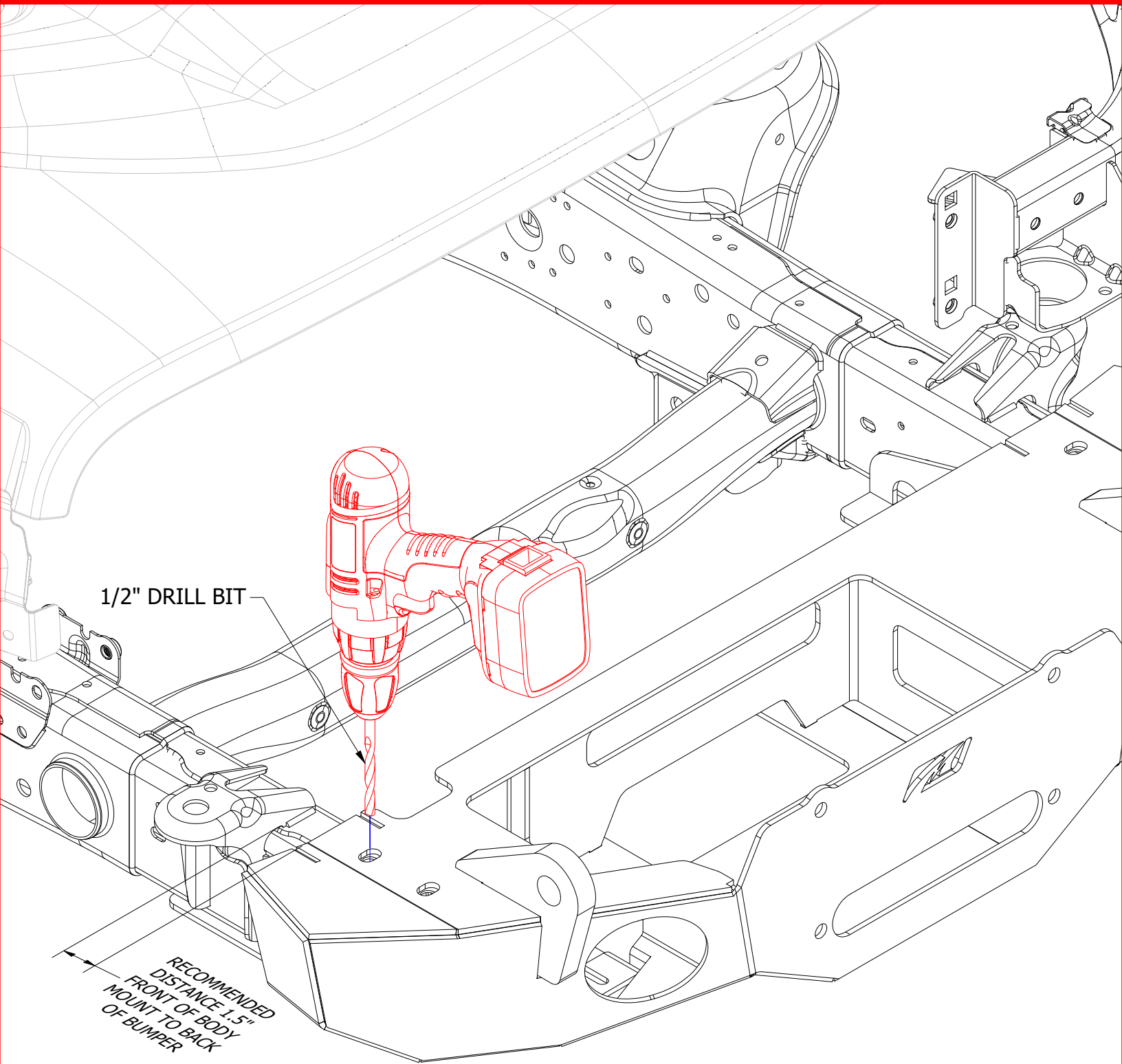


**1/2" Flat Washer**  
Qty: 8

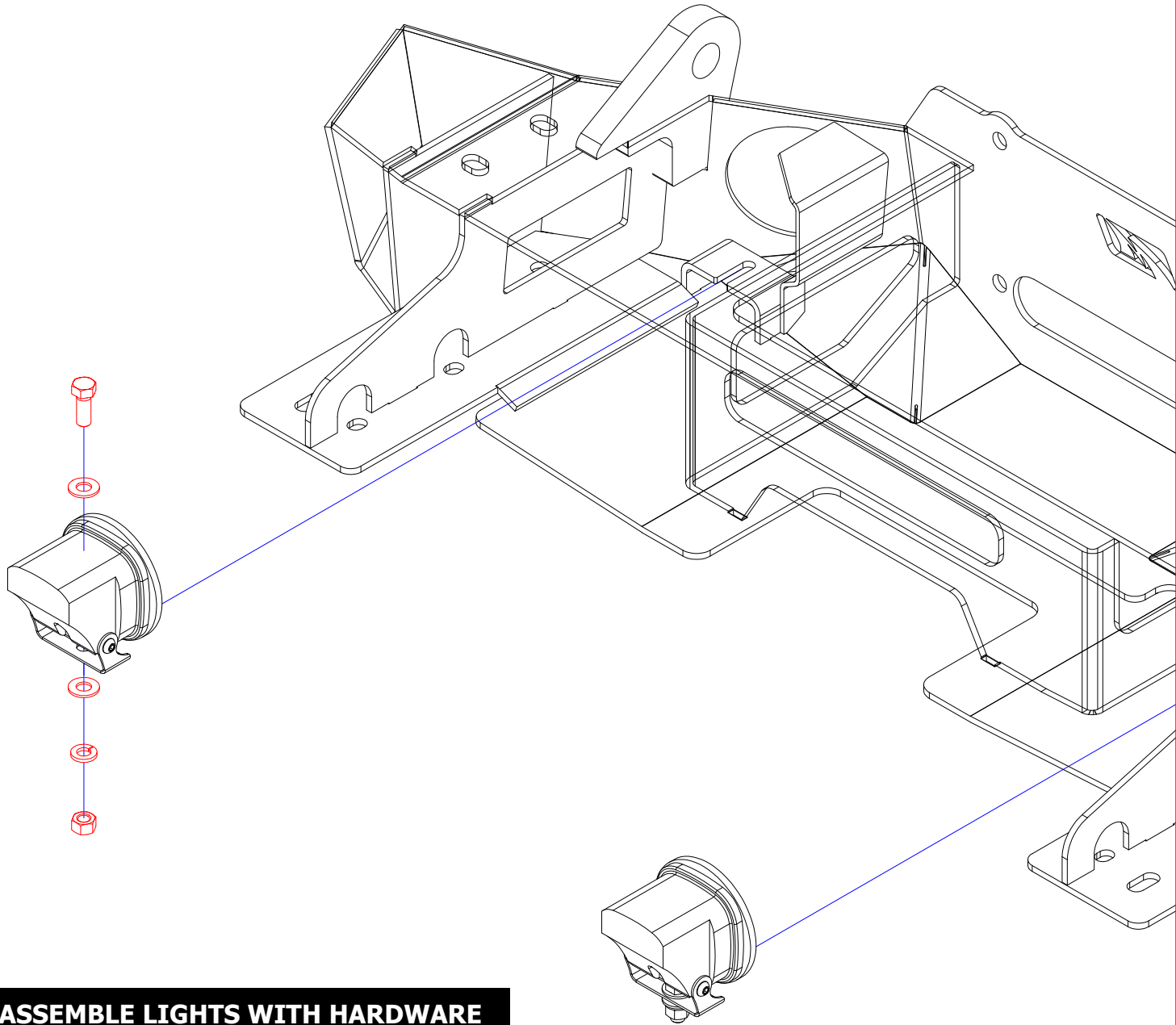


**1/2"-13 - Nylon Locknut**  
Qty: 4

**MB1238 - Assembly Instructions Gladius Frame Chop Front Bumper for M8274**

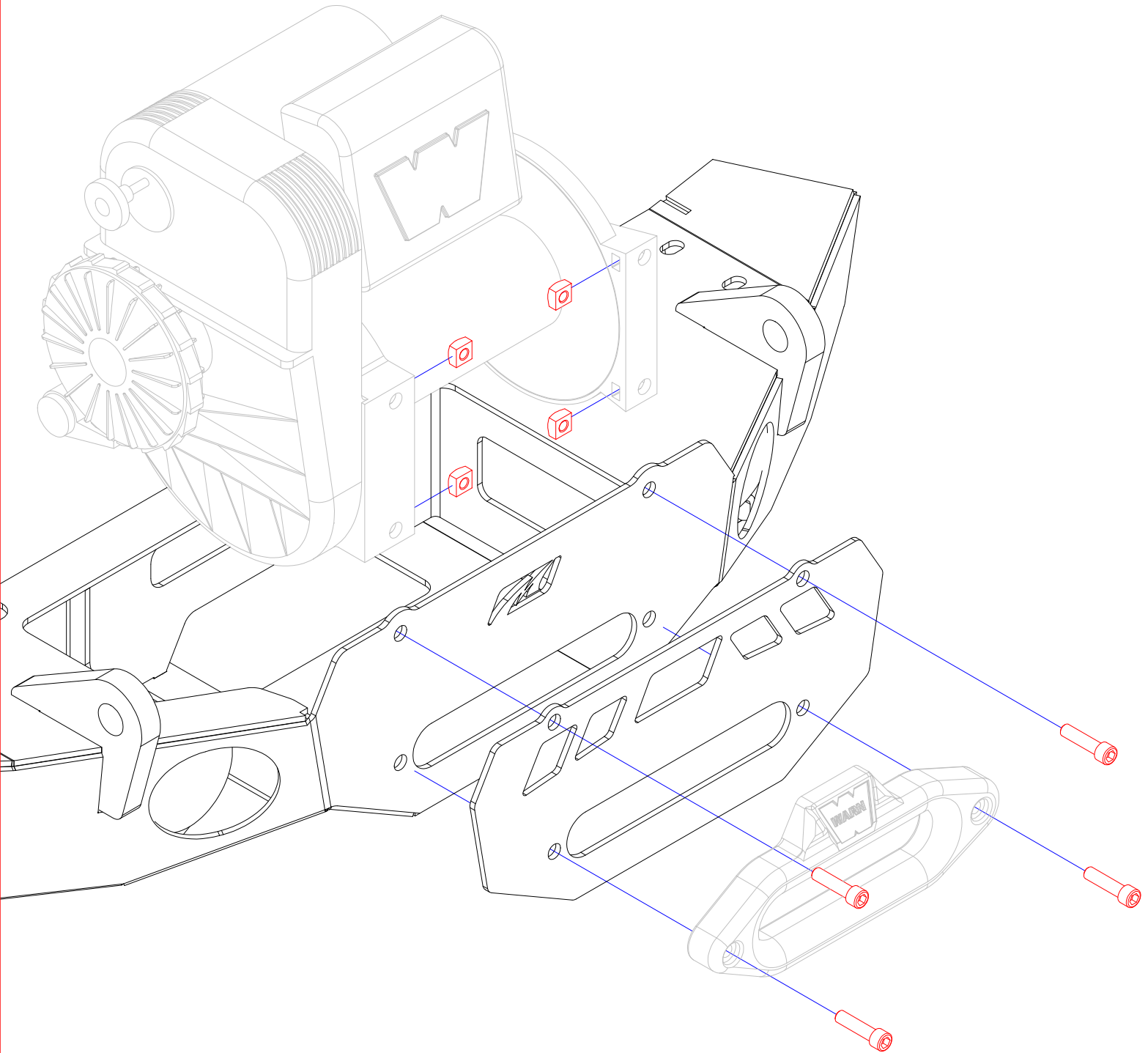
**MB1238 - Assembly Instructions Gladius Frame Chop Front Bumper for M8274**

**USE BUMPER TO MARK HOLES TOP AND BOTTOM  
REMOVE BUMPER AND DRILL HOLES  
DO NOT DRILL THROUGH TOP AND BOTTOM AT THE SAME TIME**

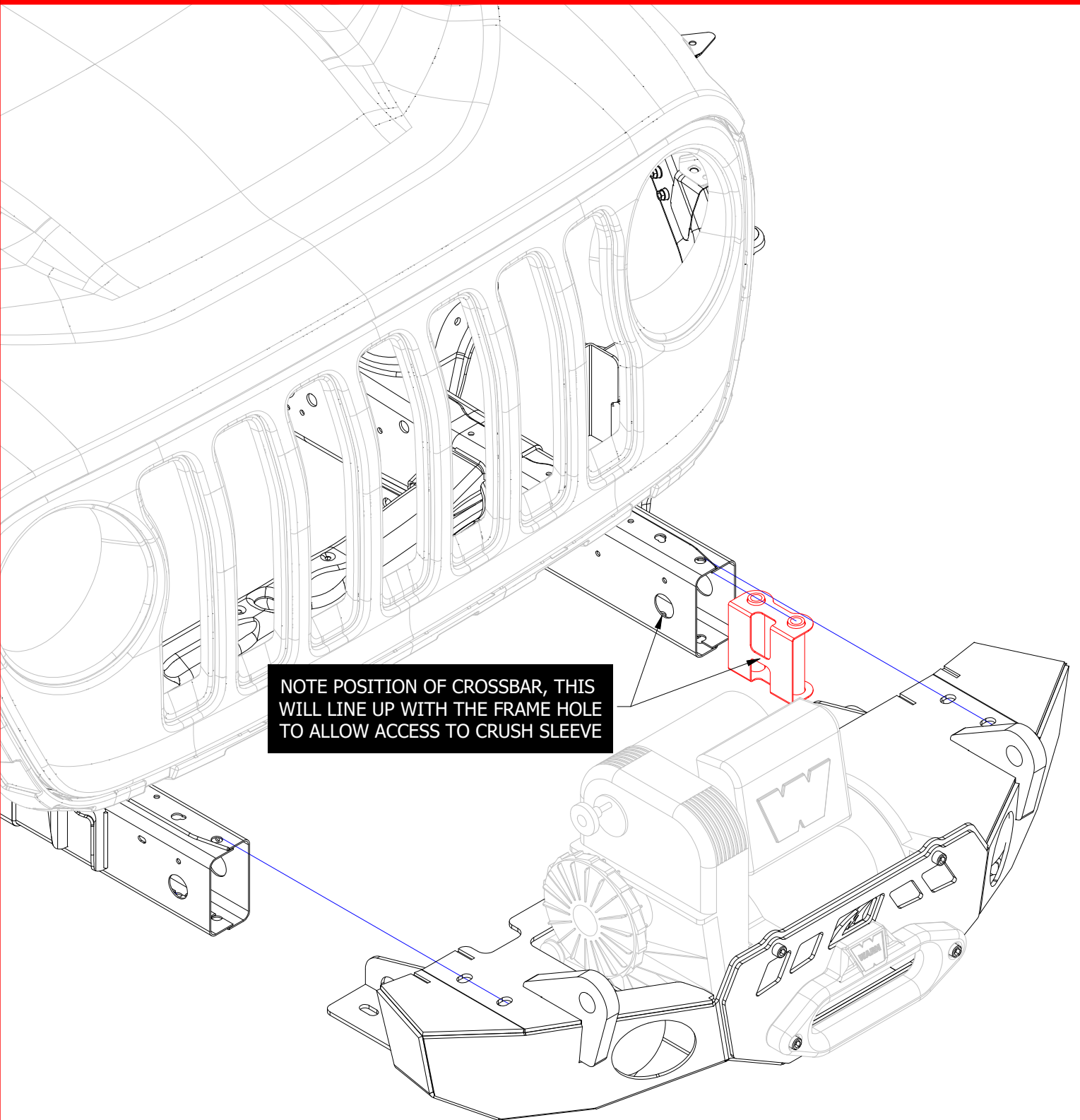
**MB1238 - Assembly Instructions Gladius Frame Chop Front Bumper for M8274**

**ASSEMBLE LIGHTS WITH HARDWARE PROVIDED BY MFG LOOSE, TO ALLOW LIGHT TO SLIDE LIGHT ONTO BRACKET**

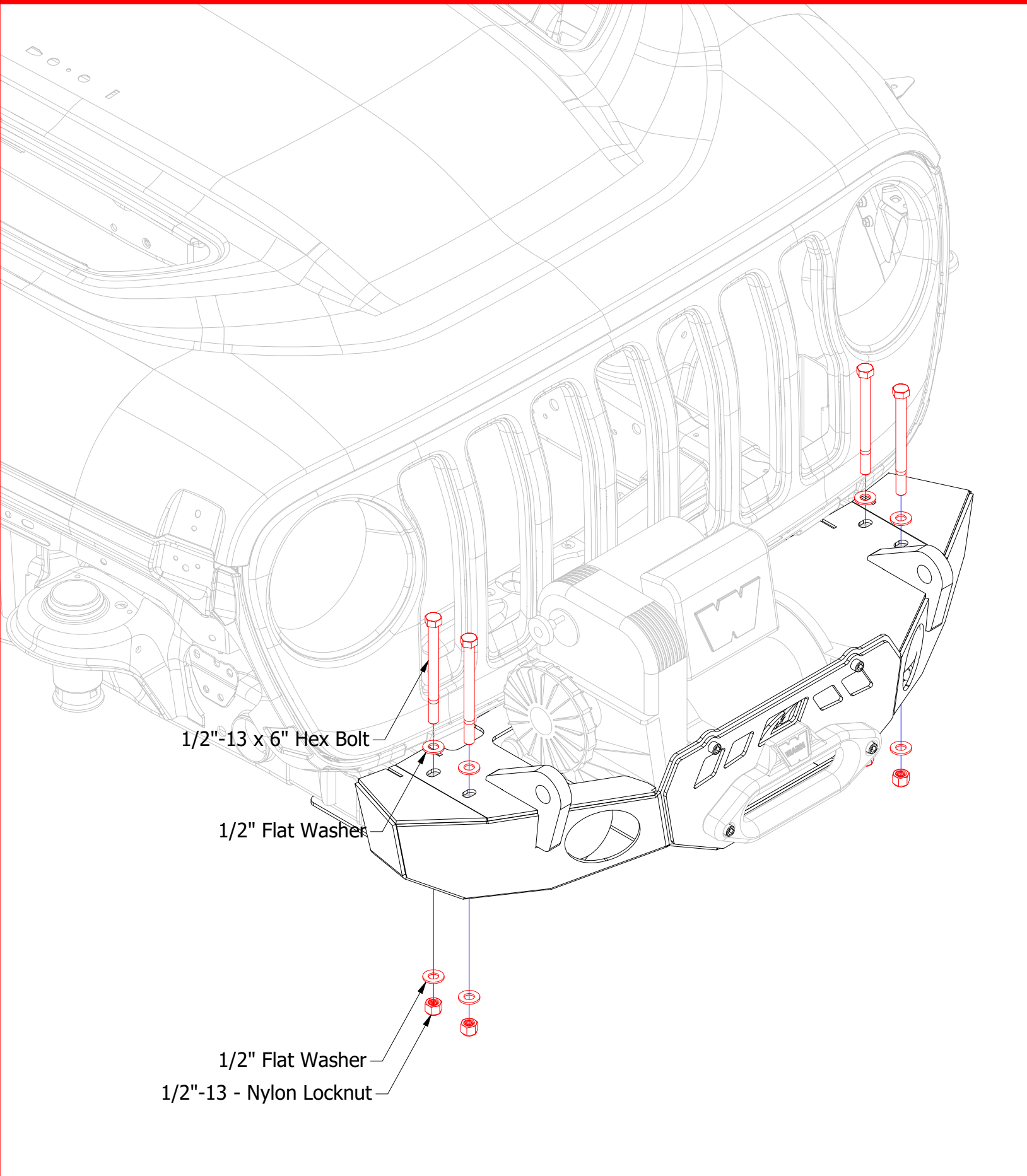
**MB1238 - Assembly Instructions Gladius Frame Chop Front Bumper for M8274**



**NOTE: WINCH AND WINCH  
HARDWARE NOT INCLUDED**

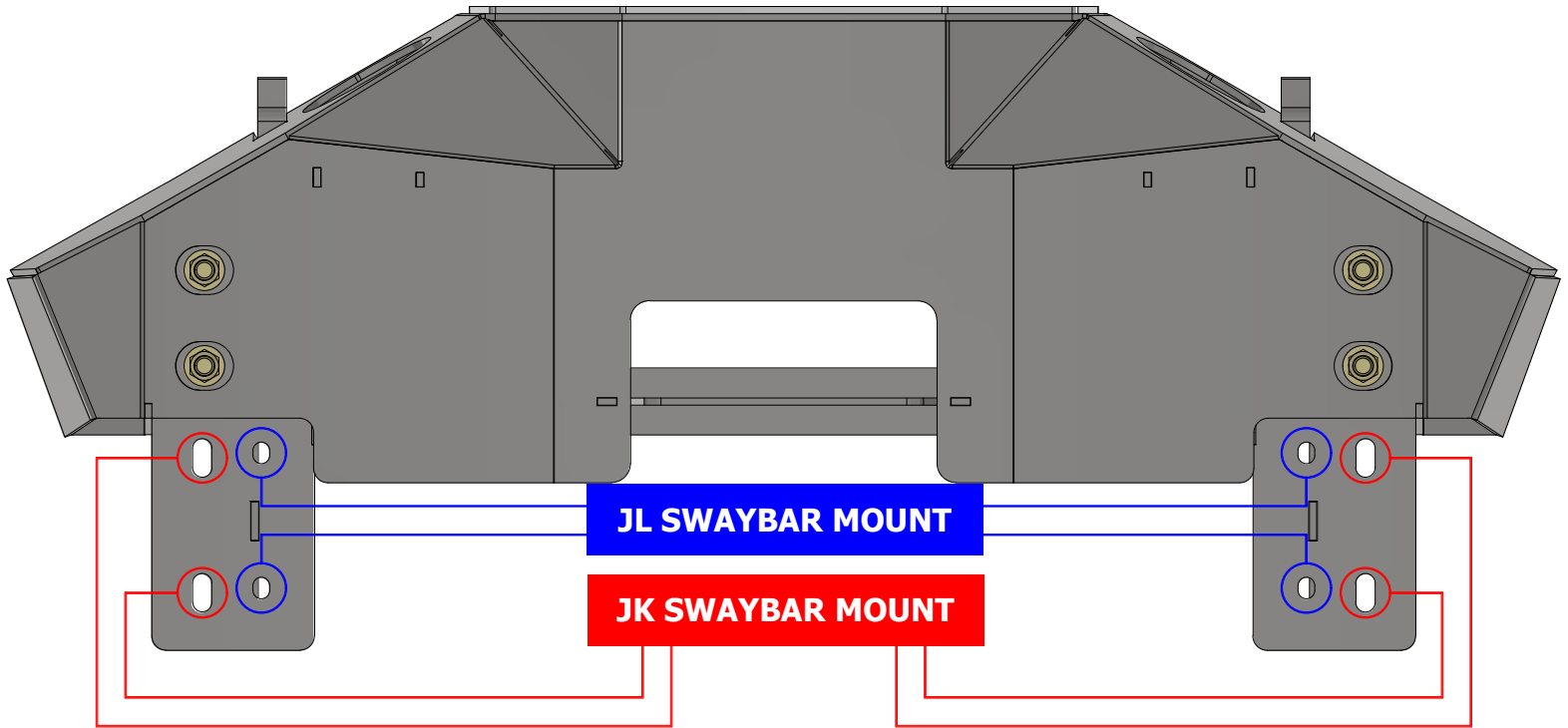
**MB1238 - Assembly Instructions Gladius Frame Chop Front Bumper for M8274**

**MB1238 - Assembly Instructions Gladius Frame Chop Front Bumper for M8274**





**MB1238-B - Assembly Instructions Gladius Frame Chop Front Bumper for M8274**



**Jeep JL/JLU/JT Swaybar Compatibility:**

The factory swaybar can be modified to fit this product, however the Rubicon swaybar with electronic disconnect IS NOT COMPATIBLE with this bumper.

This product is also compatible with the following Rockjock Antirock Swaybars:

- CE-9900JLF
- CE-9900JLFA

**Jeep JK/JKU Swaybar Compatibility:**

The factory swaybar can be modified to fit this product, however the Rubicon swaybar with electronic disconnect IS NOT COMPATIBLE with this bumper.

This product is also compatible with the following Rockjock Antirock Swaybars:

- CE-9900JKF
- CE-9900JKFA