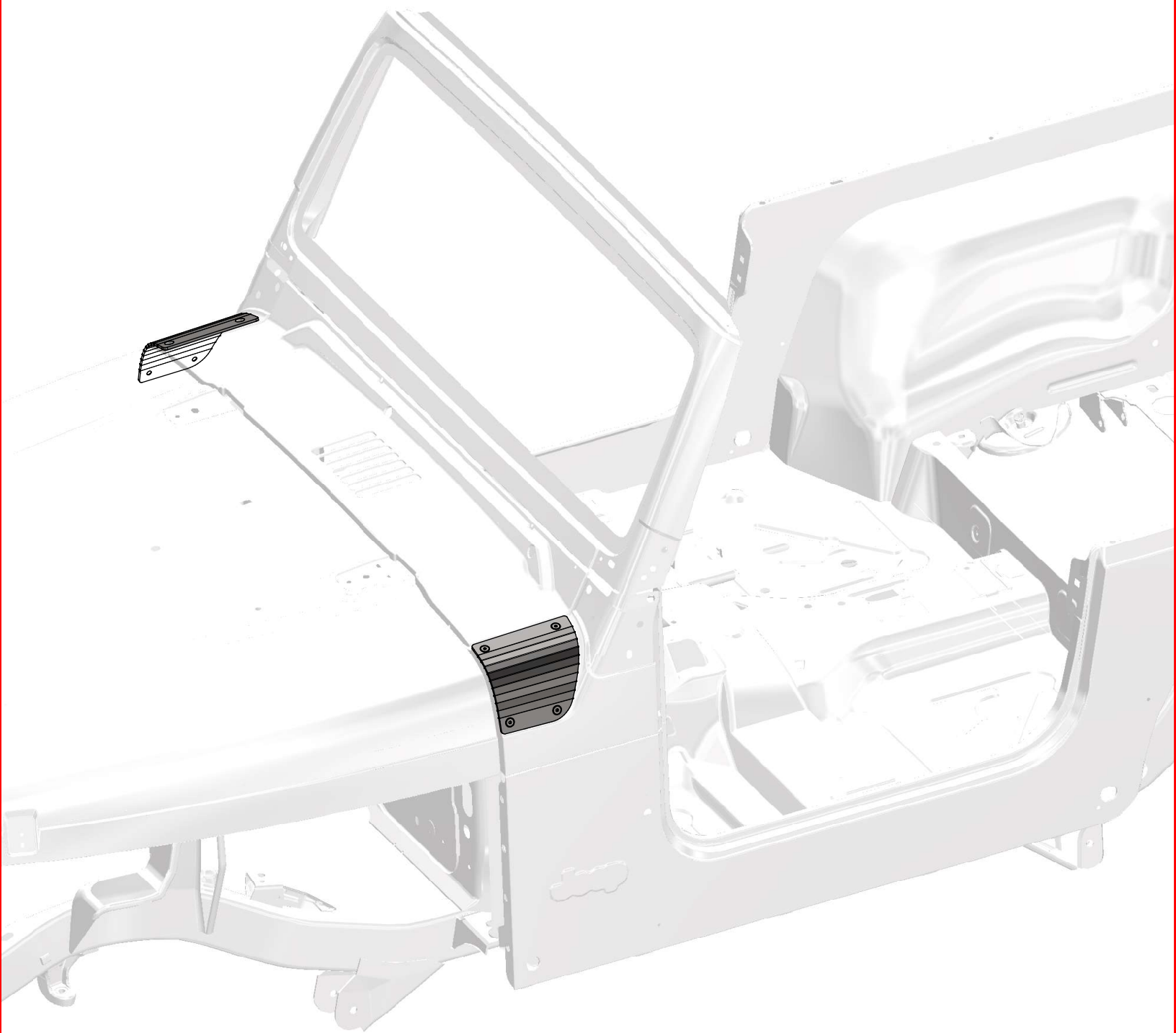


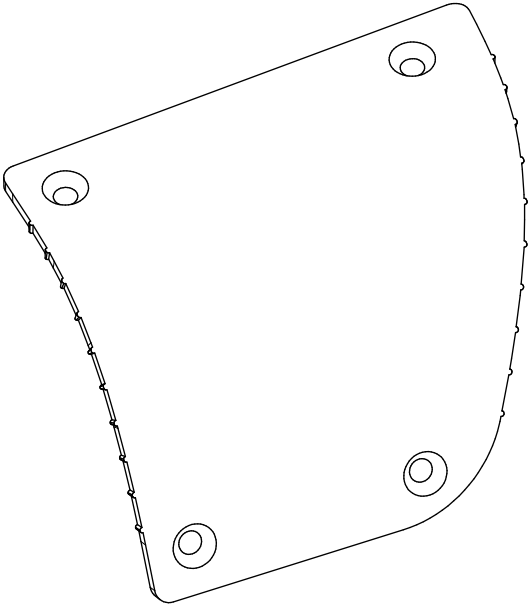
**MB1236 - Assembly TJ Cowl Armor**

**ASSEMBLY INSTRUCTIONS**

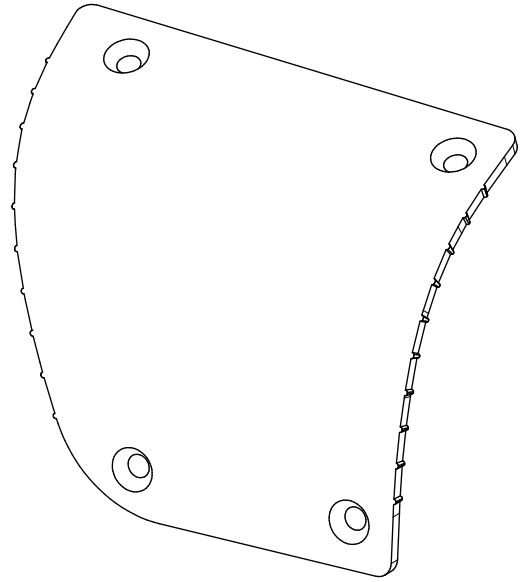


**MB1236 - Assembly TJ Cowl Armor**

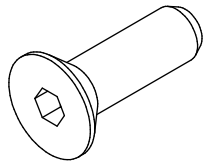
**CONTENTS**



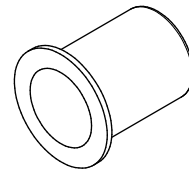
**MB1236-01**  
**Qty 1**



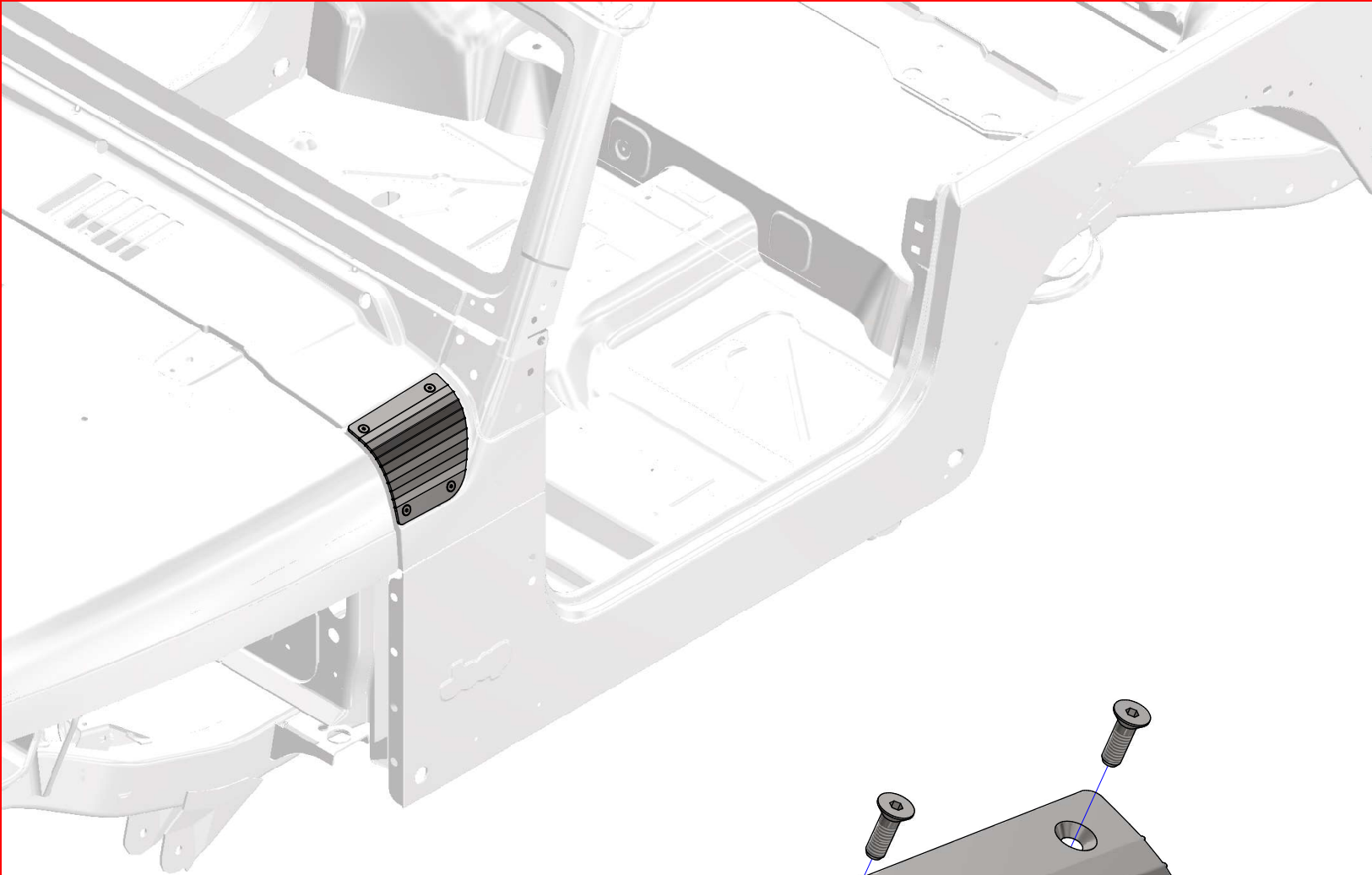
**MB1236-01\_MIR**  
**Qty 1**



**Countersunk Screw**  
**5/16"-18 x 1.00"**  
**Qty 8**



**Rivnut**  
**5/16"-18**  
**Qty 8**

**MB1236 - Assembly TJ Cowl Armor**


1. Place the Cowl Armor in position
2. Mark holes
3. Remove Cowl Armor
4. Drill holes for Rivnuts
5. Install Rivnuts into body
5. Fasten Cowl Armor using supplied Countersunk Screws
6. Repeat on opposite side

