

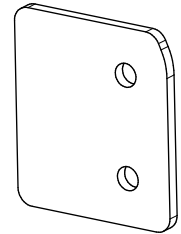
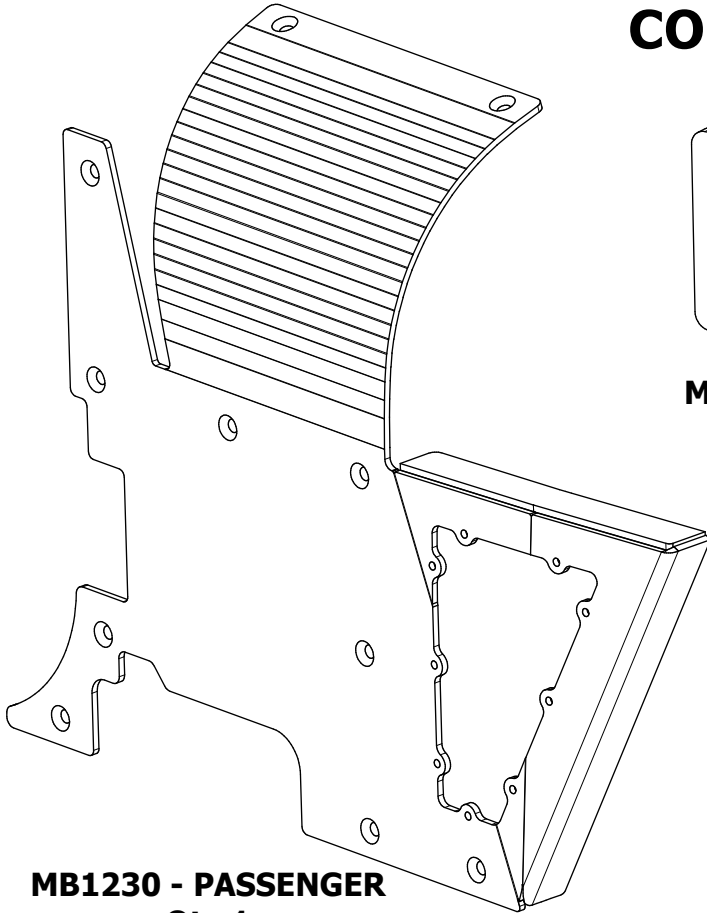
MB1230 - Assembly YJ Cowl Armor with Fenders**ASSEMBLY INSTRUCTIONS**

This Assembly Instructions package is the same for MB1230 Steel version or MB1230-A Aluminum version

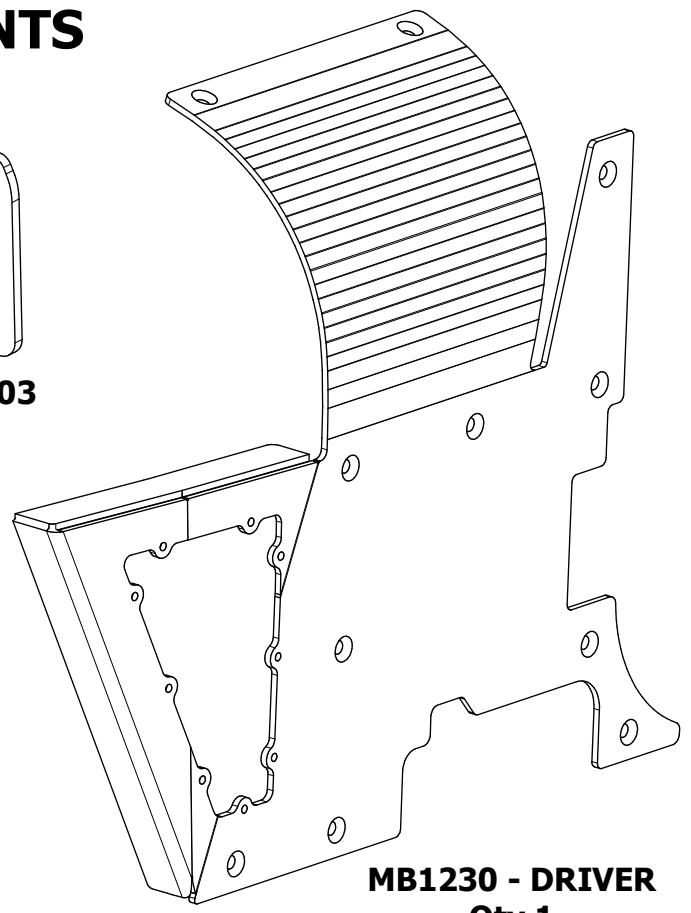


MB1230 - Assembly YJ Cowl Armor with Fenders

CONTENTS

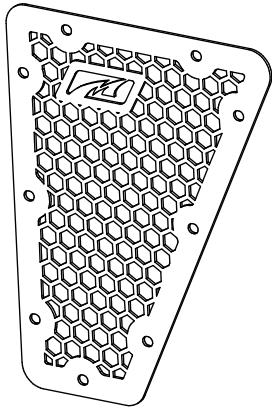


MB1230-03
Qty 2

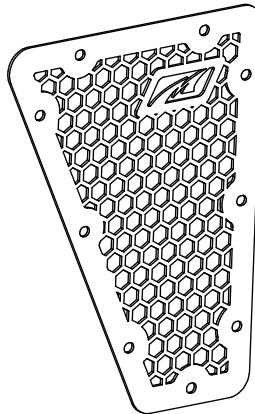


MB1230 - PASSENGER
Qty 1

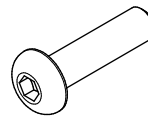
MB1230 - DRIVER
Qty 1



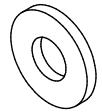
MB1230-04_MIR
Qty 1



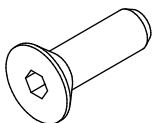
MB1230-04
Qty 1



Button Head Screw
#10-24 x 3/4"
Qty 20
(Includes 2 Spares)



Flat Washer
M6
Qty 20
(Includes 2 Spares)



Countersunk Screw
5/16"-18 x 1.00"
Qty 24
(Includes 2 Spares)



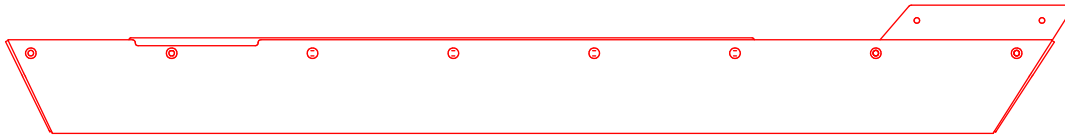
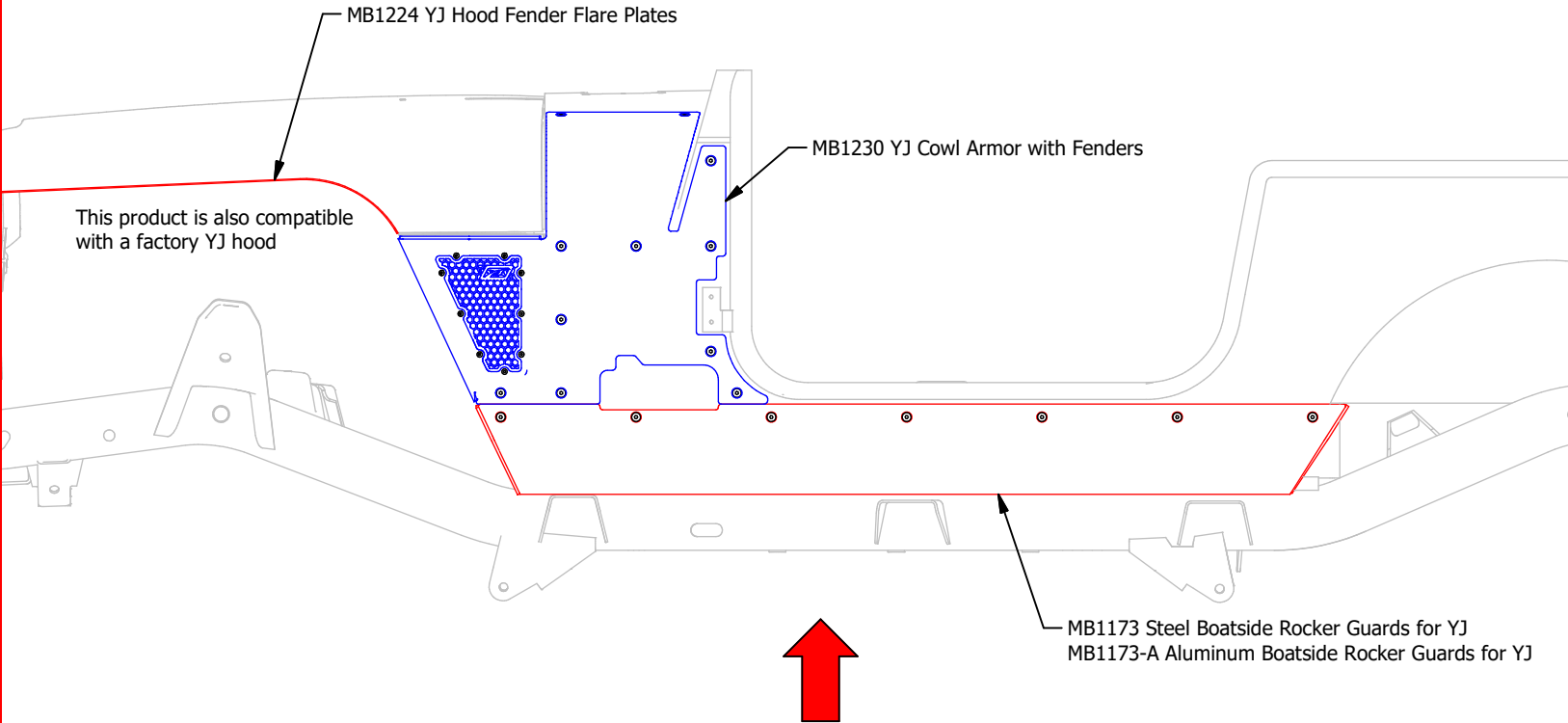
Flat Washer
5/16"
Qty 24
(Includes 2 Spares)



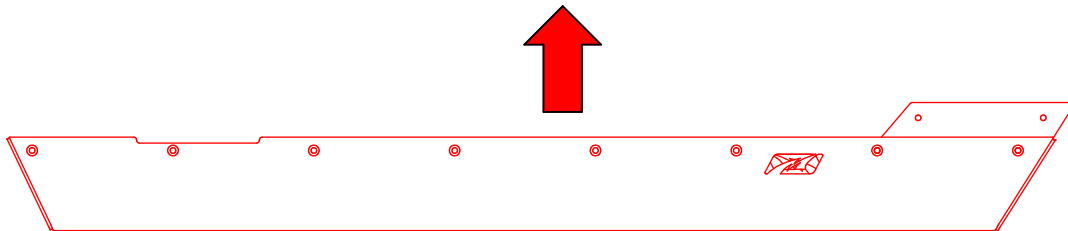
Nylock Nut
5/16"-18
Qty 24
(Includes 2 Spares)



Nylock Nut
#10-24
Qty 20
(Includes 2 Spares)

MB1230 - Assembly YJ Cowl Armor with Fenders**COMPATIBLE MOTOBILT PRODUCTS**

MB1171 Steel 15" Stretch Boatside Rocker Guards for YJ
MB1171-A Aluminum 15" Stretch Boatside Rocker Guards for YJ



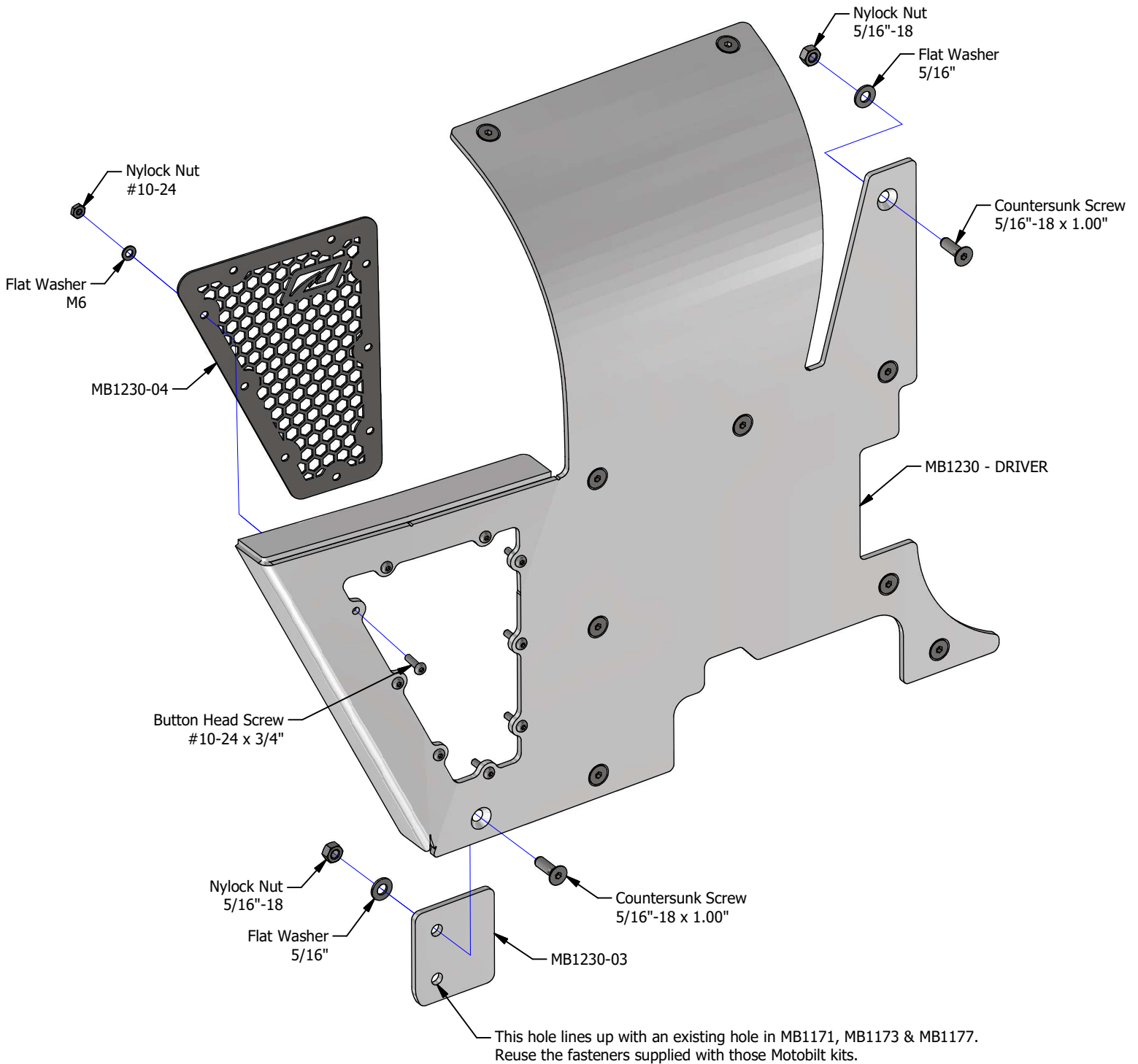
MB1177 Steel 15" Stretch Rocker Guards for YJ
MB1177-A Aluminum 15" Stretch Rocker Guards for YJ

NOTE:
THIS PRODUCT IS NOT COMPATIBLE WITH
MB1043 COMP CUT ROCKER GUARDS FOR YJ
MB1043-S COMP CUT ROCKER GUARDS w/ TUBE STEP FOR YJ

MB1230 - Assembly YJ Cowl Armor with Fenders

STEP 1

1. Remove factory inner & outer fenders from both the driver & passenger sides.
2. See diagram below for general parts & fasteners assembly.



MB1230 - Assembly YJ Cowl Armor with Fenders

STEP 2

Drill 11/32" diameter holes through the body & install fasteners (10 locations each side)

Align Cut Outs in MB1230 with Cut Outs in Rocker Armor

Position MB1230-03 behind & fasten with Countersunk Screws

REPEAT ON PASSENGER SIDE

