

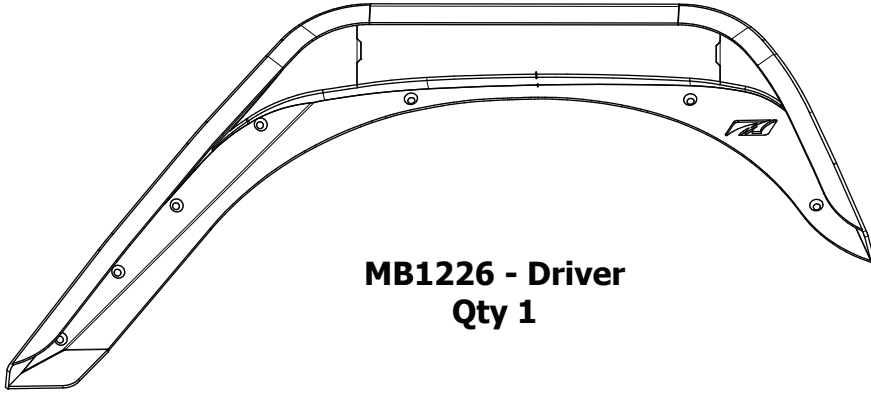
MB1226 JK/JKU Rear Highline Fenders**ASSEMBLY INSTRUCTIONS**

Fits 2007 thru 2018 Jeep JK 2 Door & JKU 4 Door vehicles

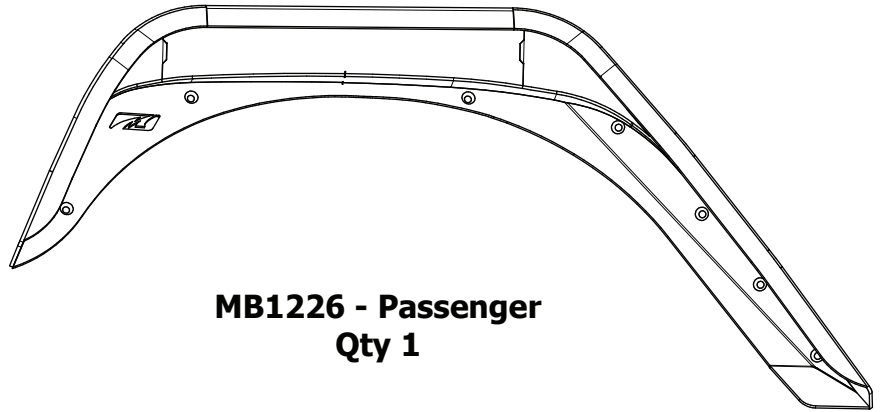


MB1226 JK/JKU Rear Highline Fenders

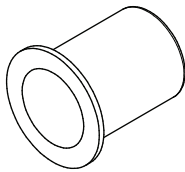
CONTENTS



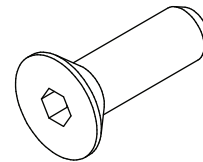
**MB1226 - Driver
Qty 1**



**MB1226 - Passenger
Qty 1**



**Rivnut, 5/16"
Qty 16
(Includes 2 Spares)**



**Countersunk Screw
5/16"-18 UNC x 1.00" Long
Qty 16
(Includes 2 Spares)**

MB1226 JK/JKU Rear Highline Fenders

ASSEMBLY - STEP 1

1. We recommend to dry fit your new rear fenders **BEFORE** painting or powder coating them.
2. Remove your factory rear fender flares & rear inner fenders.
3. Clean all sheet metal.
4. To prevent scratches in the paint of your vehicle, we recommend to apply masking tape over all mounting areas.
5. Clamp new rear fender into position, and mark each hole position using a marker, as shown. Be sure to check for even reveals all around.



MB1226 JK/JKU Rear Highline Fenders

ASSEMBLY - STEP 2

1. Unclamp & remove the new rear fender from STEP 1.
2. Using a 17/32" drill bit, drill holes in each of the marked locations.



Drill Bit Size
17/32"

MB1226 JK/JKU Rear Highline Fenders**ASSEMBLY - STEP 3**

1. Using a rivnut installation tool, install all of the supplied 5/16" rivnuts into each of the drilled holes.



Rivnut, 5/16"
Qty 16
(Includes 2 Spares)

MB1226 JK/JKU Rear Highline Fenders

ASSEMBLY - STEP 4

1. Position rear fender over rivnuts.
2. Using a 3/16" hex bit, loosely install the supplied 5/16" countersunk screws.
3. Check for final fitment.
4. Remove all fenders. Paint or powder coat. Then install for final installation.
5. PRO TIP (for final installation): Apply anti-seize compound to 5/16" countersunk screws. Do not over torque countersunk screws & rivnuts.



MB1226 JK/JKU Rear Highline Fenders

FINAL

