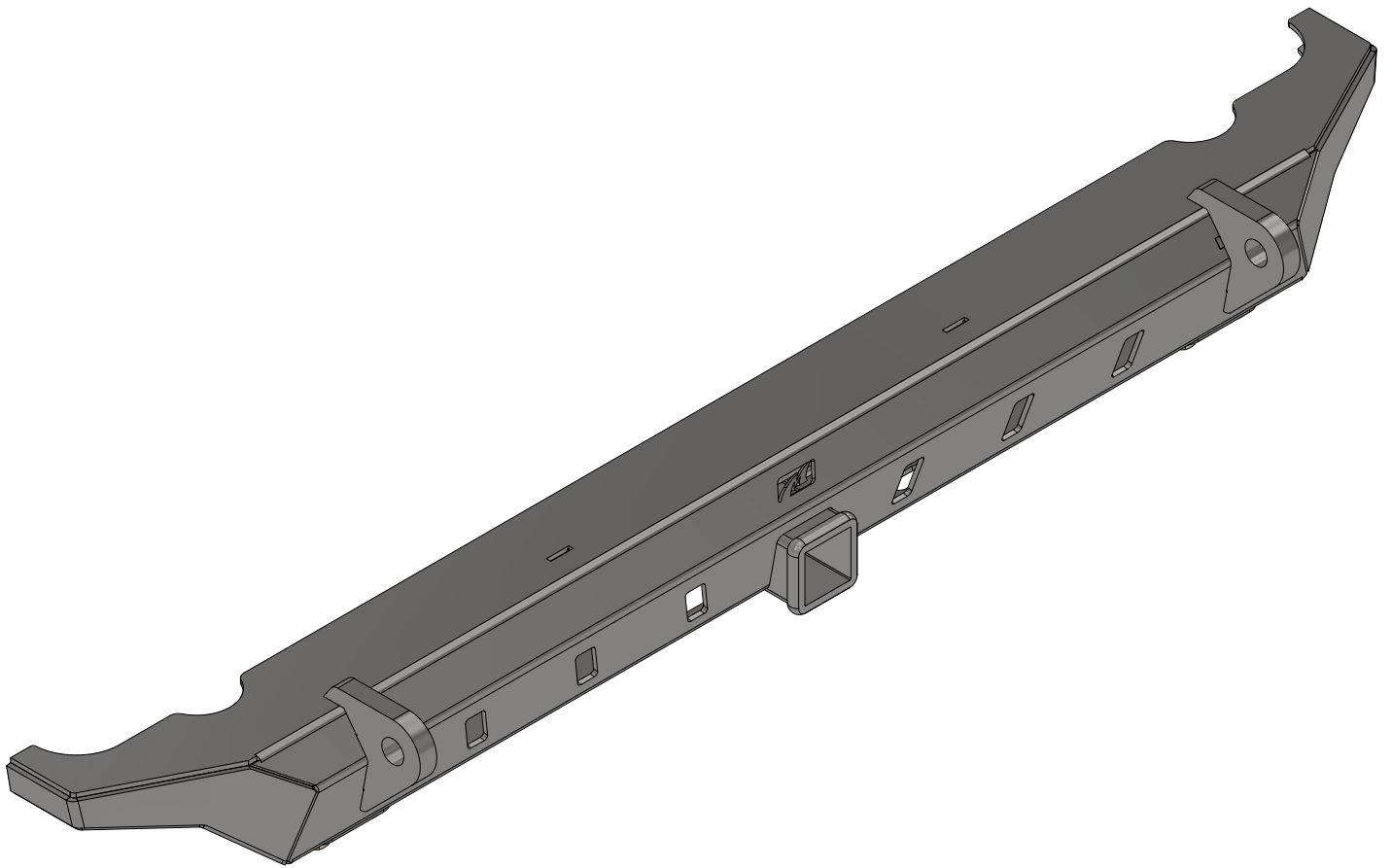


MB1218 - Assembly Instructions Crusher Rear Bumper

MB1218 - CRUSHER REAR BUMPER

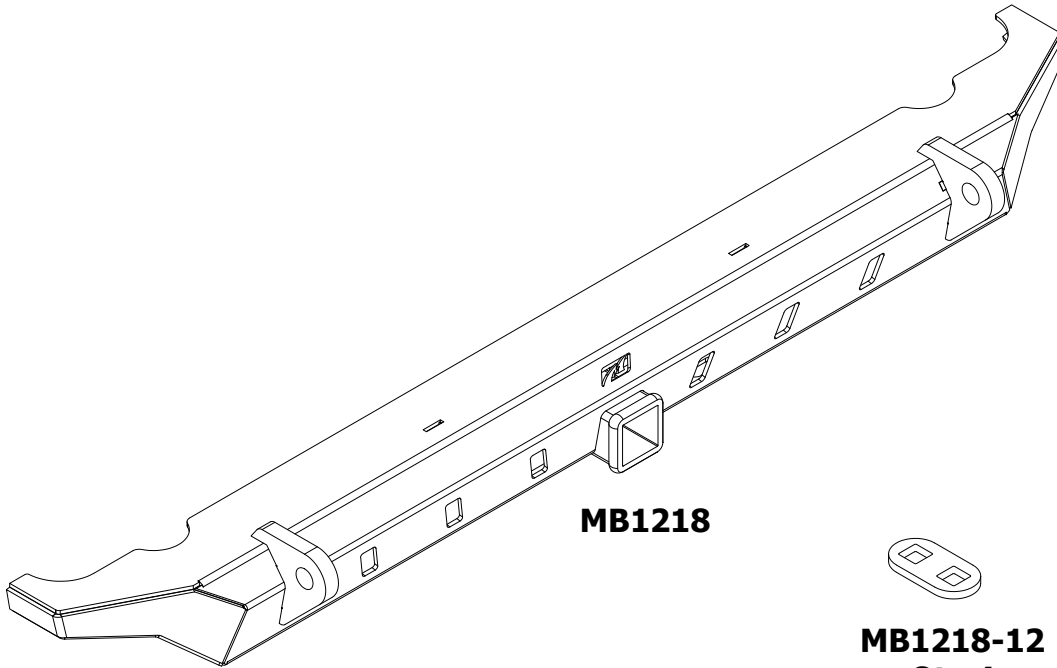
COMPATIBLE WITH JEEP CJ/YJ/TJ



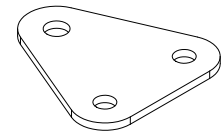
ASSEMBLY INSTRUCTIONS

MB1218 - Shipping Crusher Rear Bumper

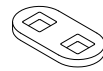
CONTENTS



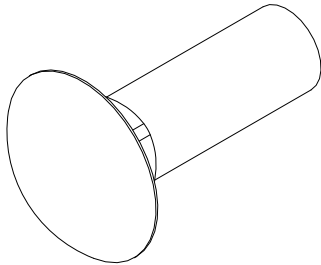
MB1218



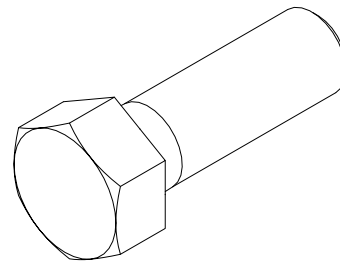
MB1218-11
Qty 2



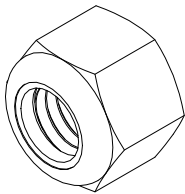
MB1218-12
Qty 4



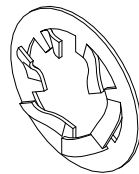
1/2"-13 x 1.5" Carriage Bolt
Qty 8



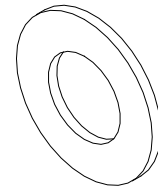
1/2"-13 x 1.5" Hex Bolt
Qty 6



1/2"-13 Lock Nut
Qty 12



1/2" Push-Nut
Qty 8

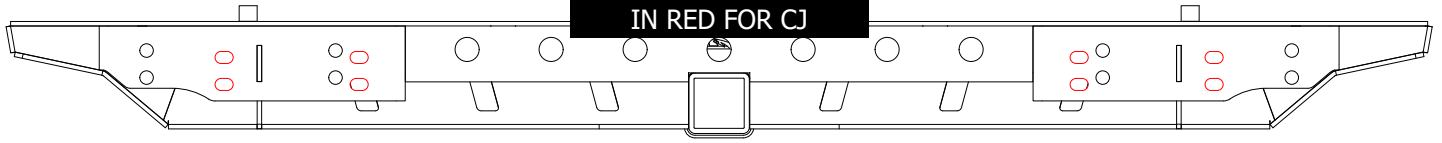


1/2" Plain Washer
Qty 18

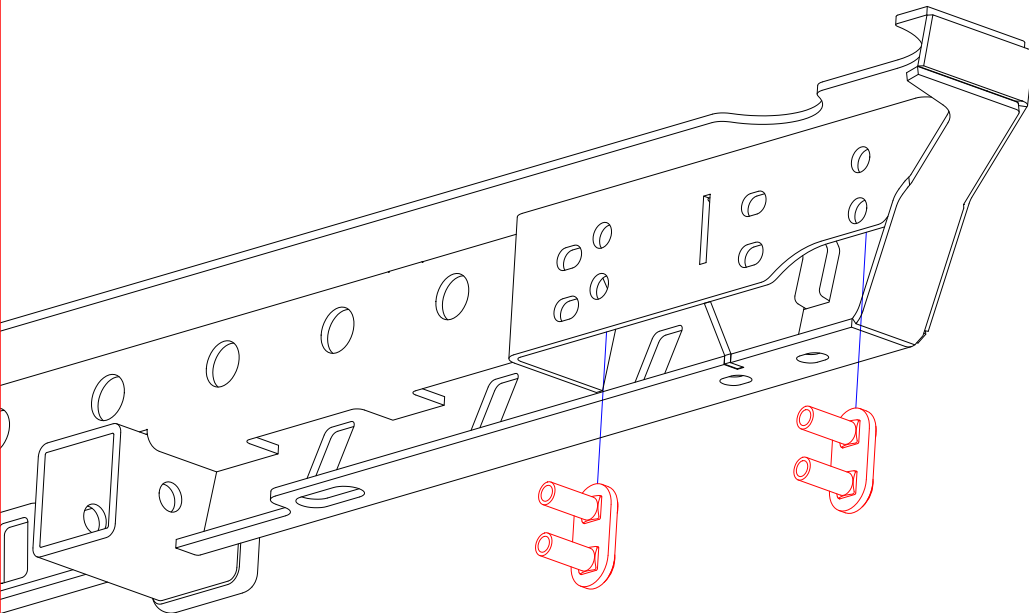
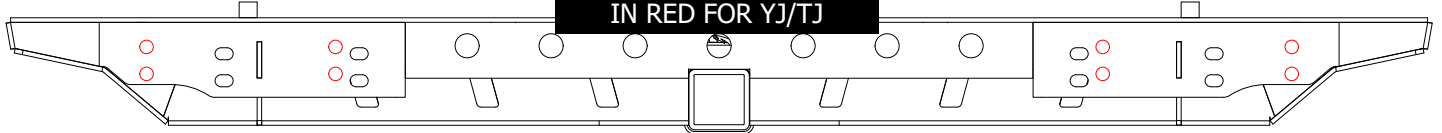
MB1218 - Assembly Instructions Crusher Rear Bumper

Step 01

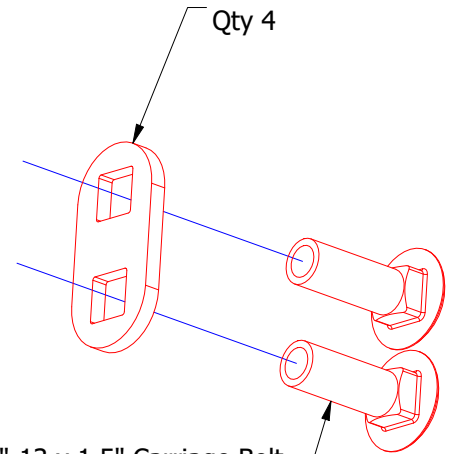
**INSIDE HOLES MARKED
IN RED FOR CJ**



**OUTSIDE HOLES MARKED
IN RED FOR YJ/TJ**

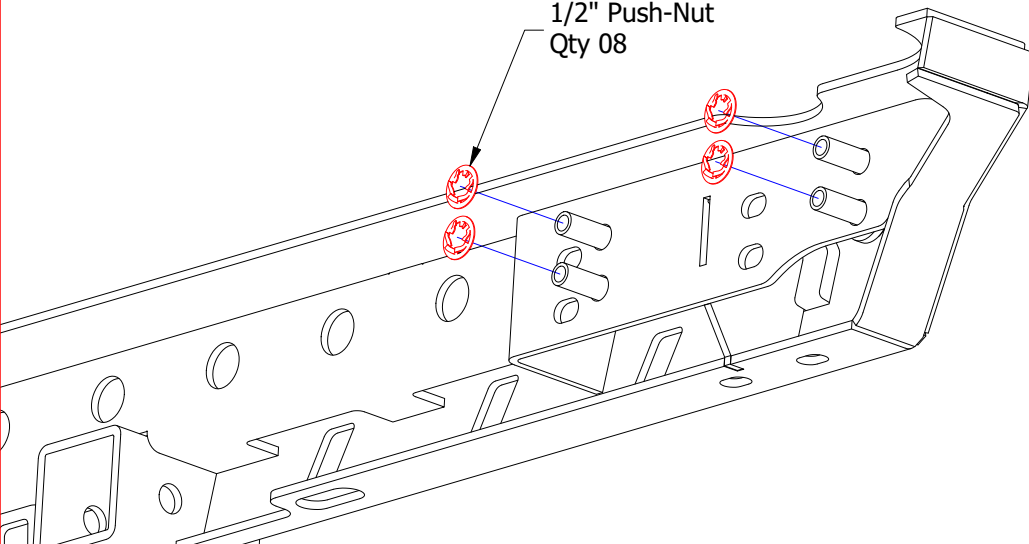


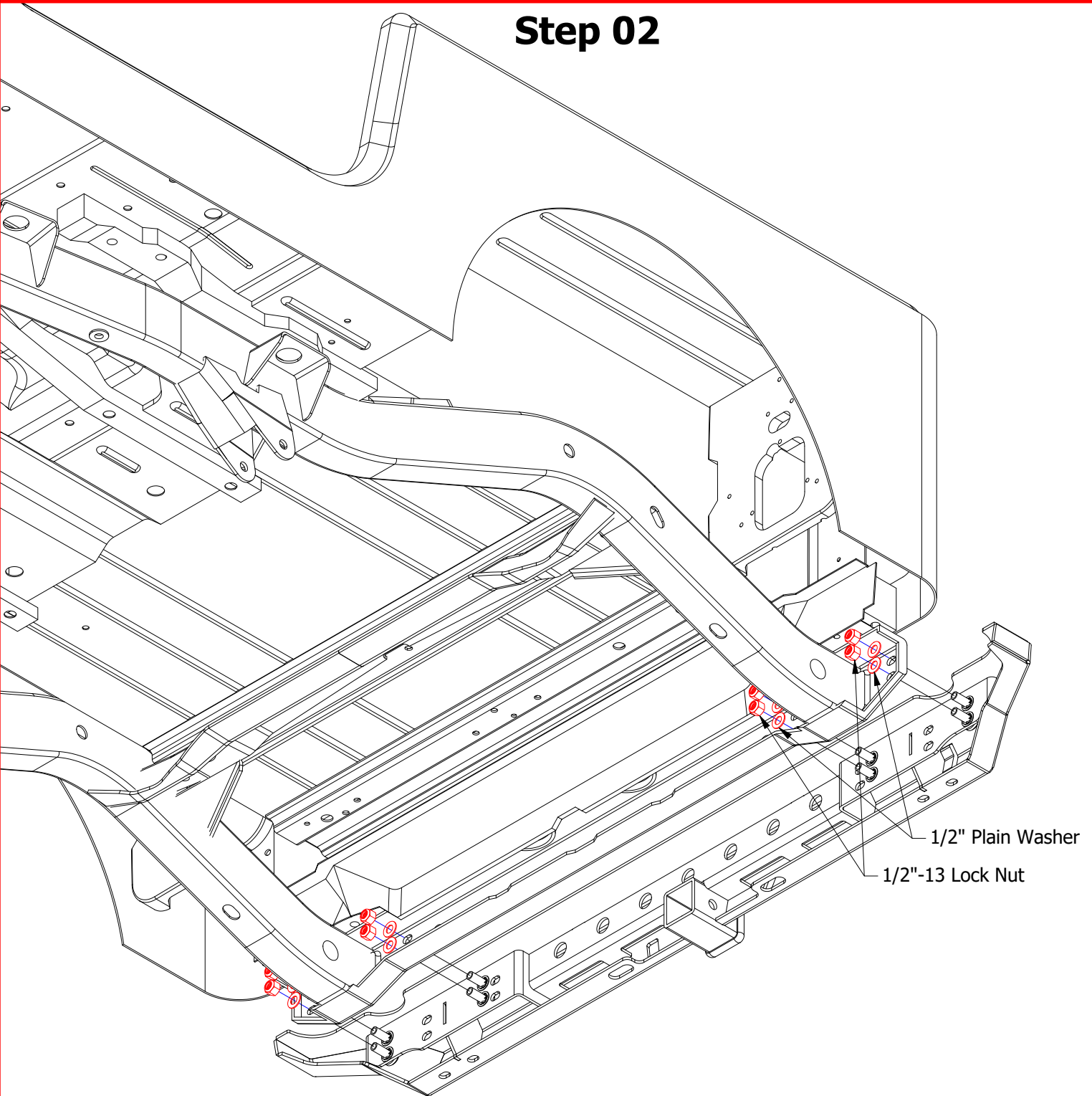
**MB1218-12
Qty 4**



**1/2"-13 x 1.5" Carriage Bolt
Qty 08**

**1/2" Push-Nut
Qty 08**



MB1218 - Assembly Instructions Crusher Rear Bumper**Step 02**

NOTE: INSTALLATION ON A TJ WILL REQUIRE DRILLING THE INSIDE 2 HOLES FOR MAXIMUM RECOVERY STRENGTH

MB1218 - Assembly Instructions Crusher Rear Bumper

Step 03

