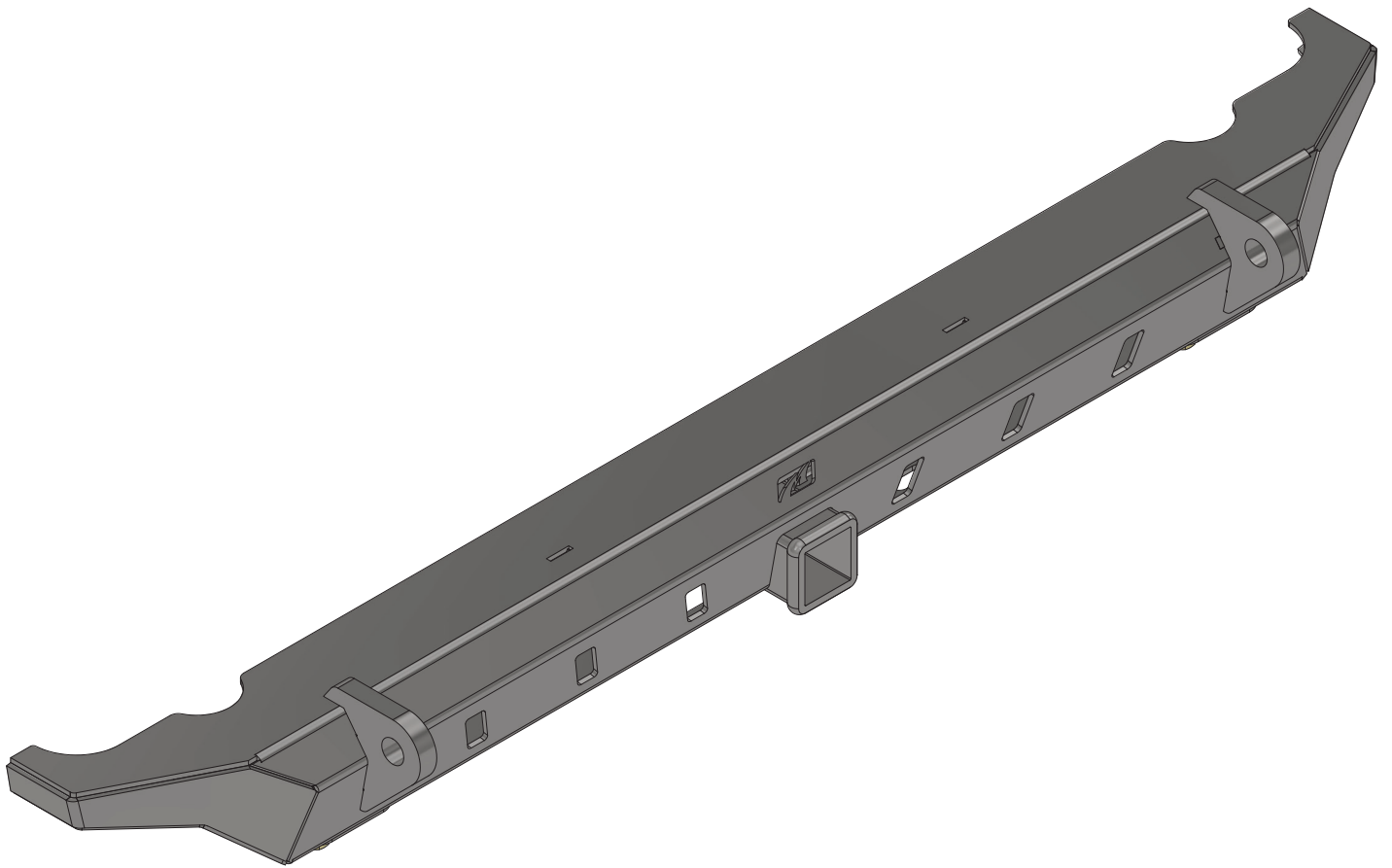


# **MB1218 - CRUSHER REAR BUMPER**

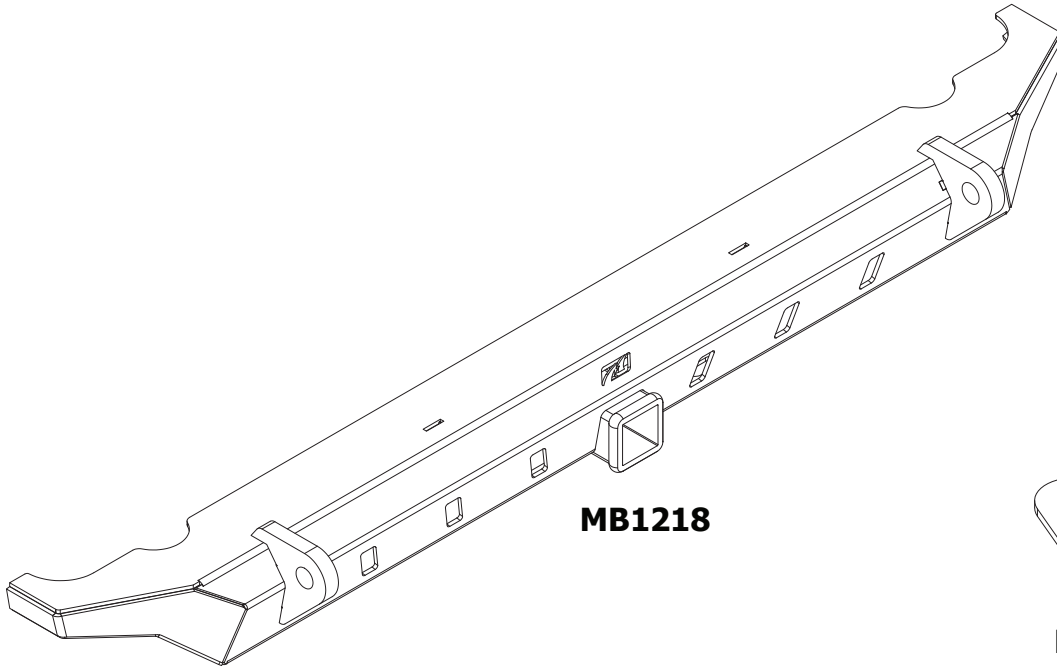
**COMPATIBLE WITH JEEP CJ/YJ/TJ**



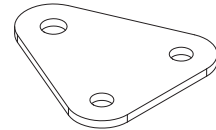
## **ASSEMBLY INSTRUCTIONS**

**MB1218 - Shipping Crusher Rear Bumper**

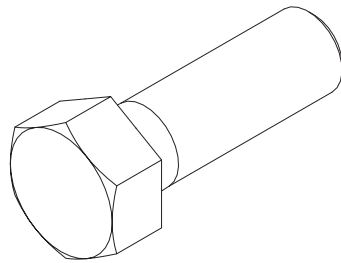
**CONTENTS**



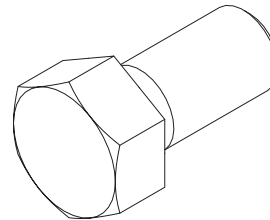
**MB1218**



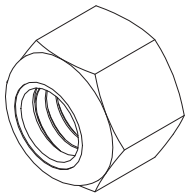
**MB1218-11**  
**Qty 2**



**1/2"-13 x 1.5" Hex Bolt**  
**Qty 4**



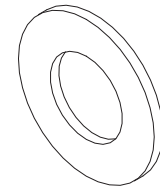
**1/2"-13 x 1" Hex Bolt**  
**Qty 10**



**1/2"-13 Lock Nut**  
**Qty 12**



**1/2" Push-Nut**  
**Qty 8**

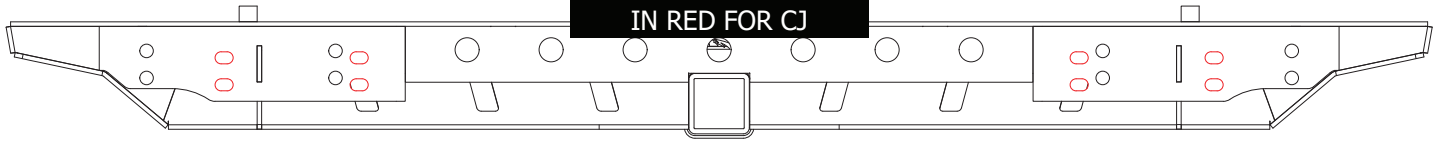


**1/2" Plain Washer**  
**Qty 18**

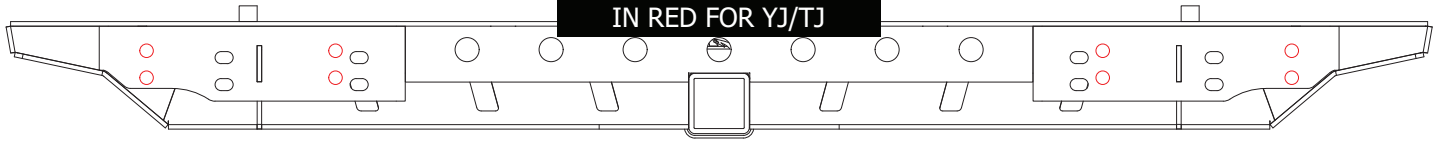
**MB1218 - Assembly Instructions Crusher Rear Bumper**

**Step 01**

INSIDE HOLES MARKED  
IN RED FOR CJ

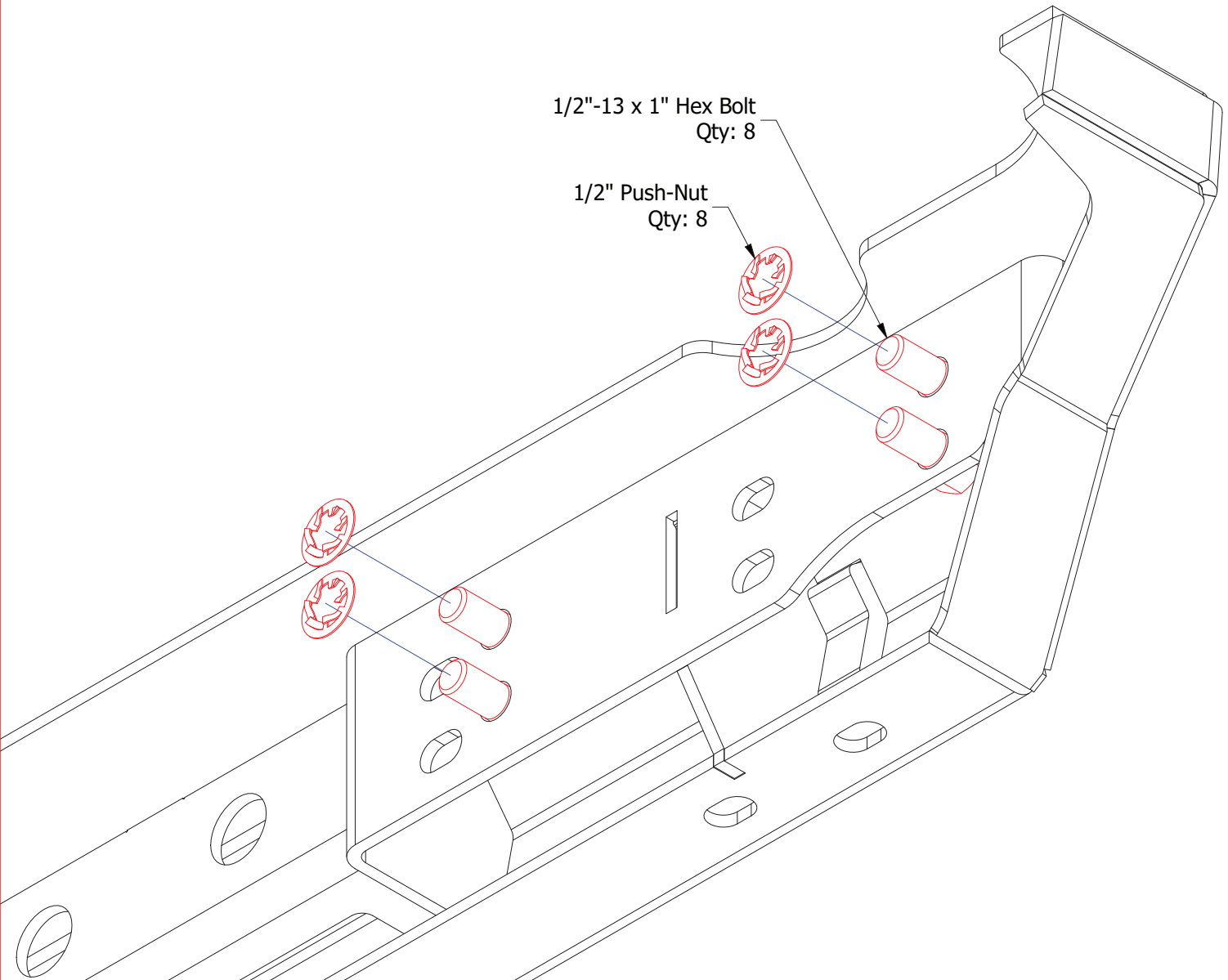


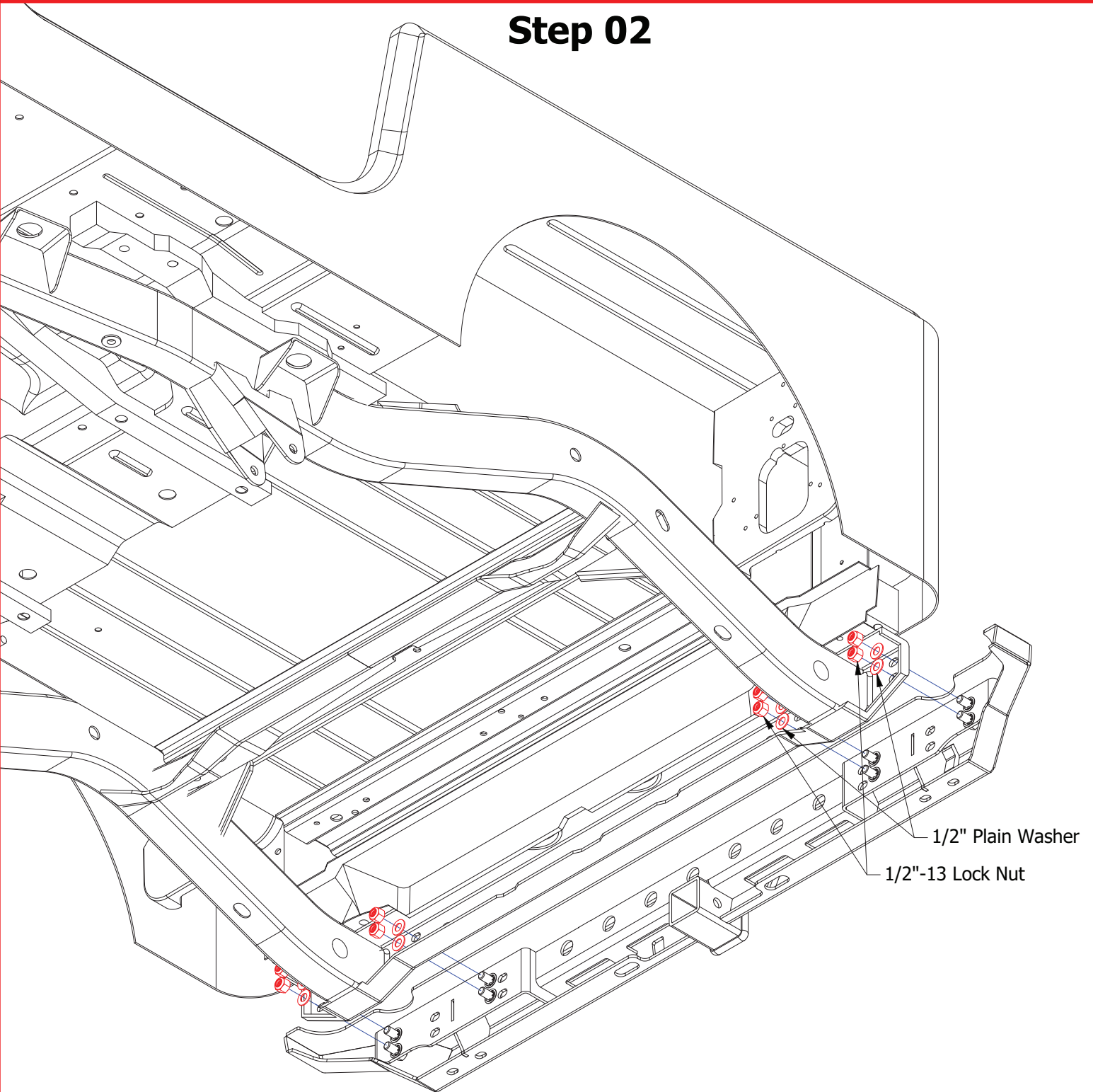
OUTSIDE HOLES MARKED  
IN RED FOR YJ/TJ



1/2"-13 x 1" Hex Bolt  
Qty: 8

1/2" Push-Nut  
Qty: 8



**MB1218 - Assembly Instructions Crusher Rear Bumper****Step 02**

**NOTE: INSTALLATION ON A TJ WILL REQUIRE DRILLING THE INSIDE 2 HOLES FOR MAXIMUM RECOVERY STRENGTH**

**MB1218 - Assembly Instructions Crusher Rear Bumper**

**Step 03**

