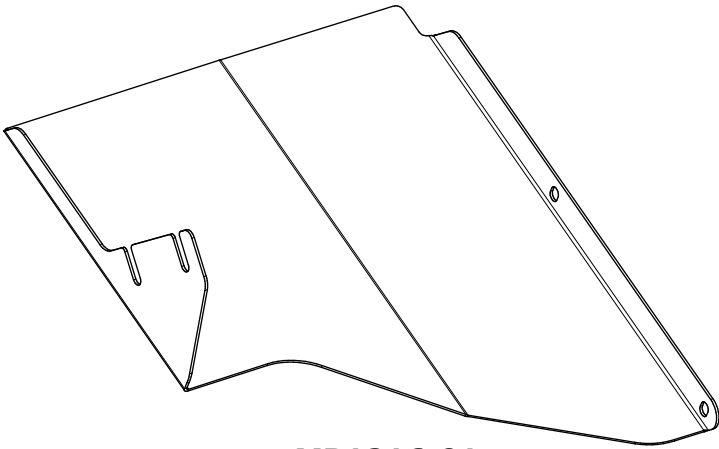
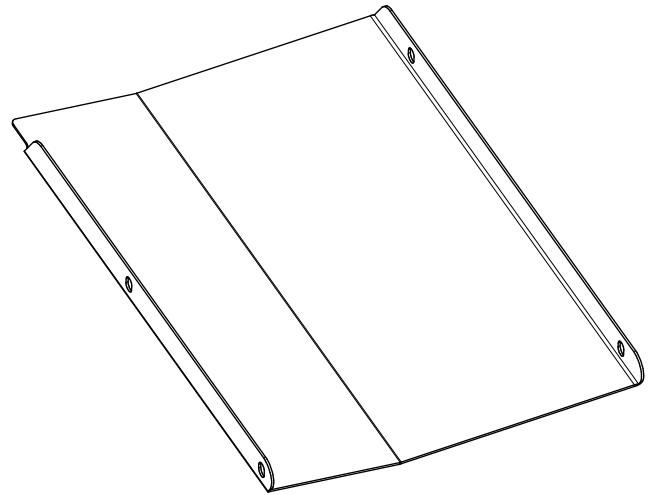


MB1216 - Assembly Aluminum Rear Inner Fenders for Bobbed Bed

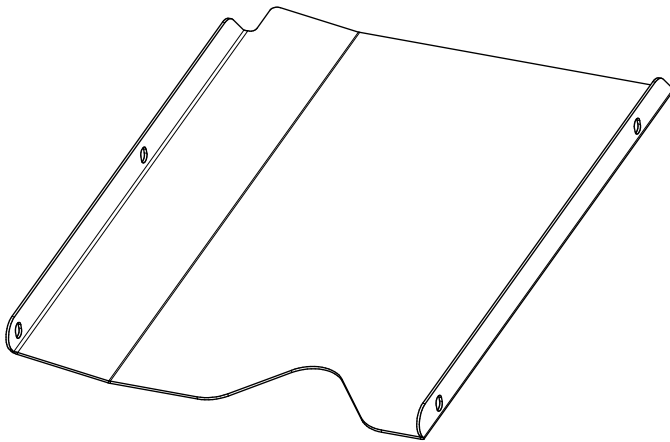
CONTENTS



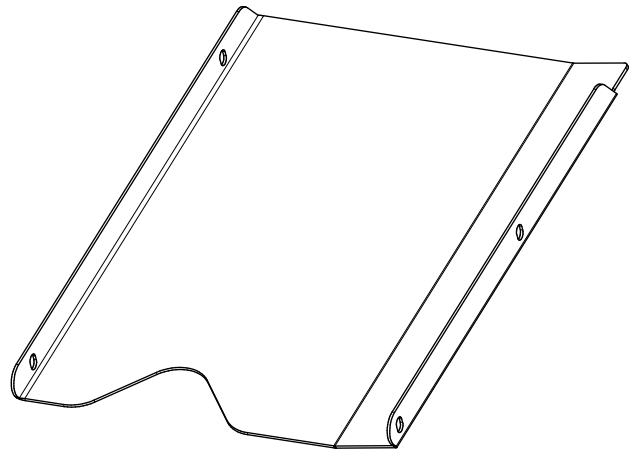
MB1216-01
Qty 1



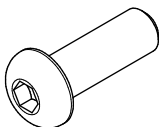
MB1216-03
Qty 1



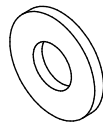
MB1216-02
Qty 1



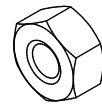
MB1216-02_MIR
Qty 1



Button Head Screw
1/4"-20 x 3/4" SS
Qty 6



Flat Washer
1/4"
Qty 6



Nylock Nut
1/4"-20
Qty 6