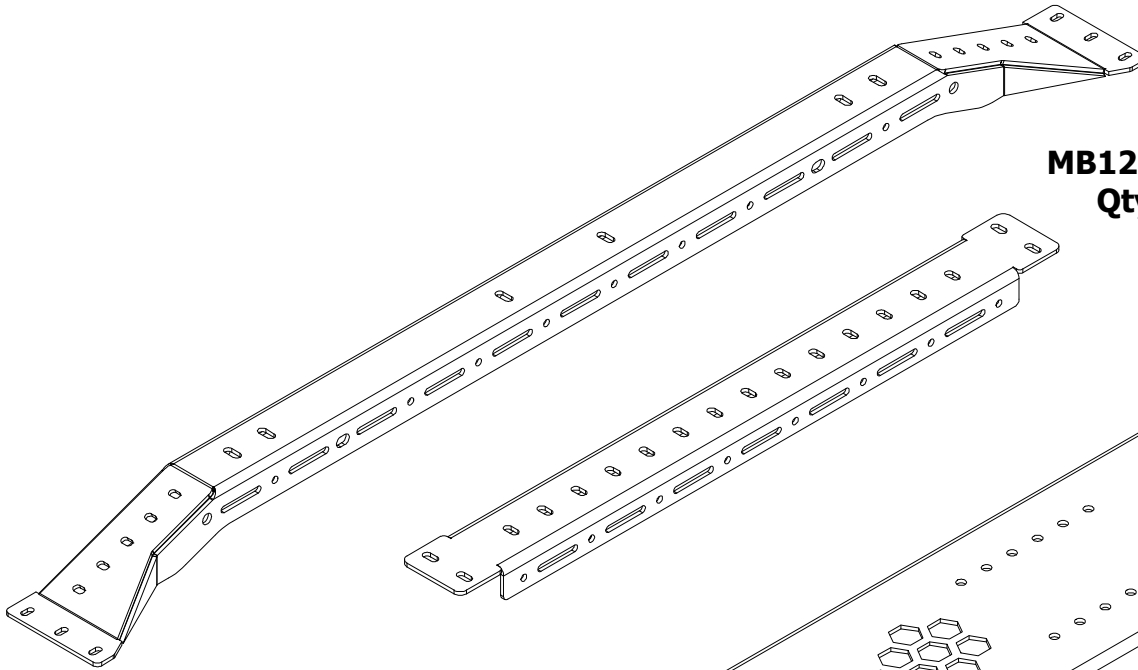


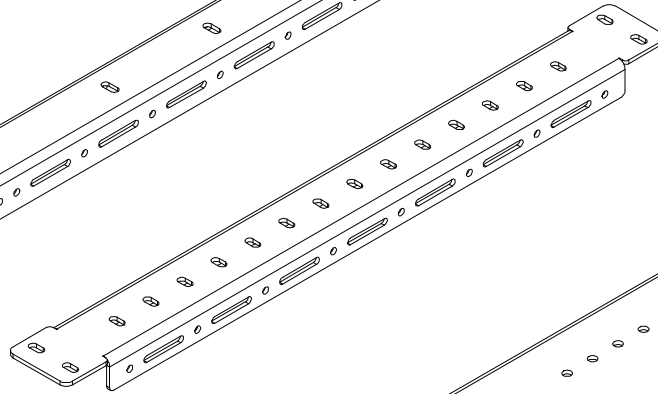
**MB1212 - Shipping Motobed Tire Carrier Rack**

**Contents**

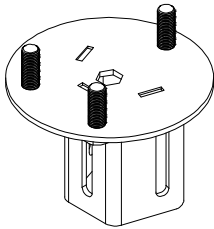
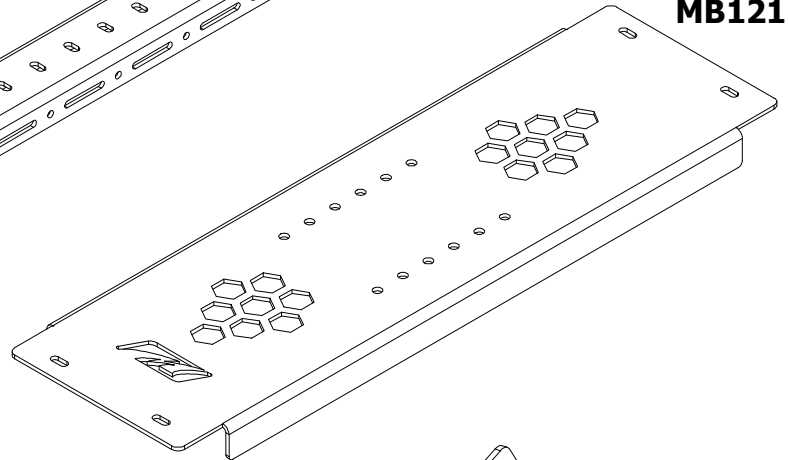
**MB1212-01  
Qty 2**



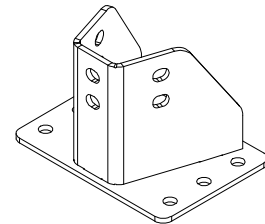
**MB1212-02  
Qty 2**



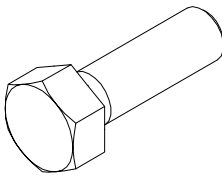
**MB1212-03**



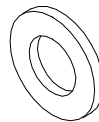
**Tire Mount Bracket**



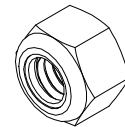
**Tire Height Bracket**



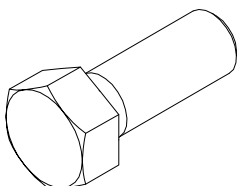
**5/16"-18 x 1" Hex Bolt  
Qty 20**



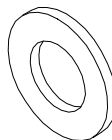
**5/16" Plain Washer  
Qty 40**



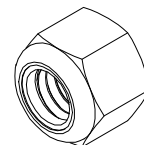
**5/16"-18 Nylon Insert Hex Locknut  
Qty 20**



**3/8"-16 x 1" Hex Bolt  
Qty 7**



**3/8" Plain Washer  
Qty 14**



**3/8"-16 Nylon Insert Hex Locknut  
Qty 7**