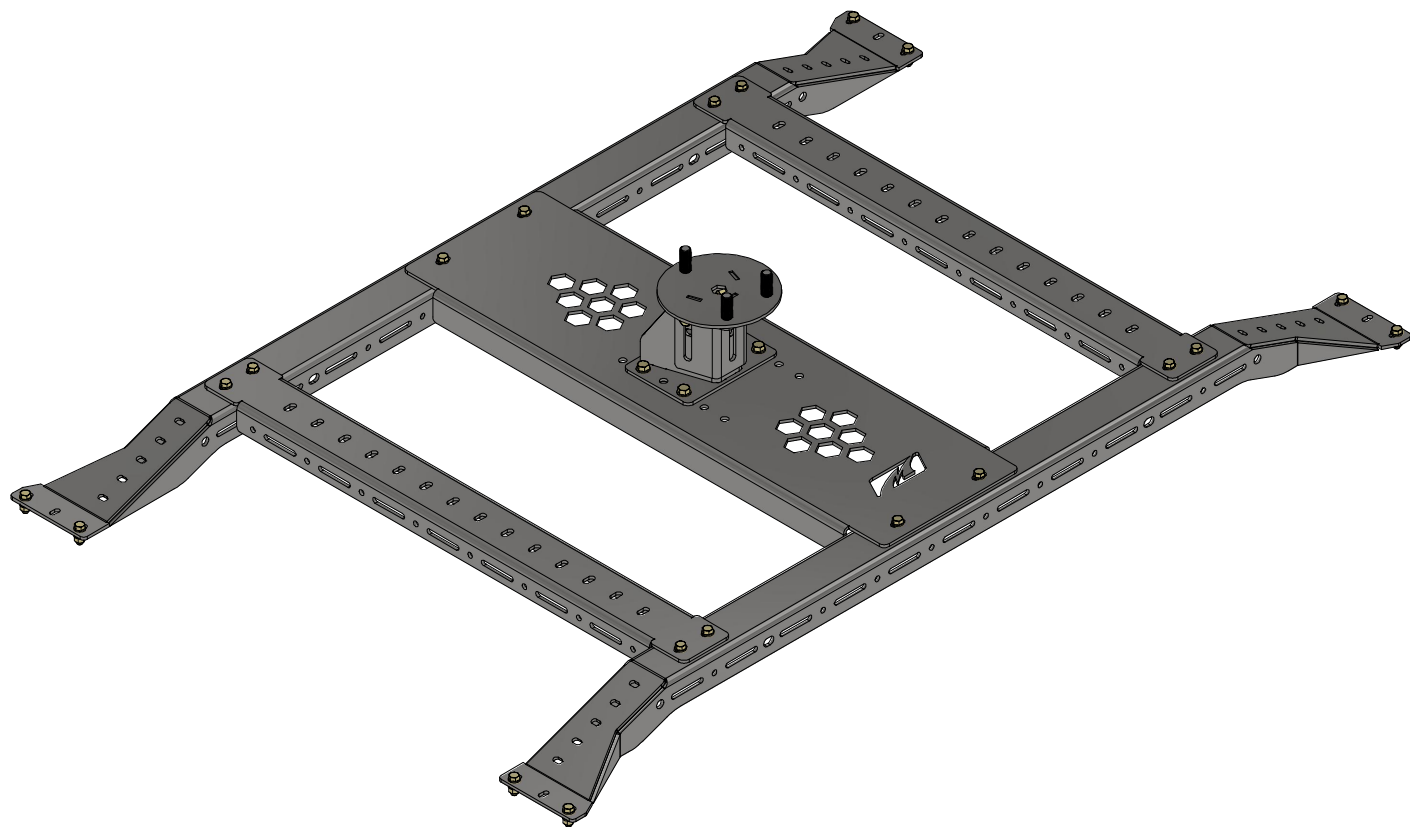


MB1212 - Assembly Instructions Motobed Tire Carrier Rack

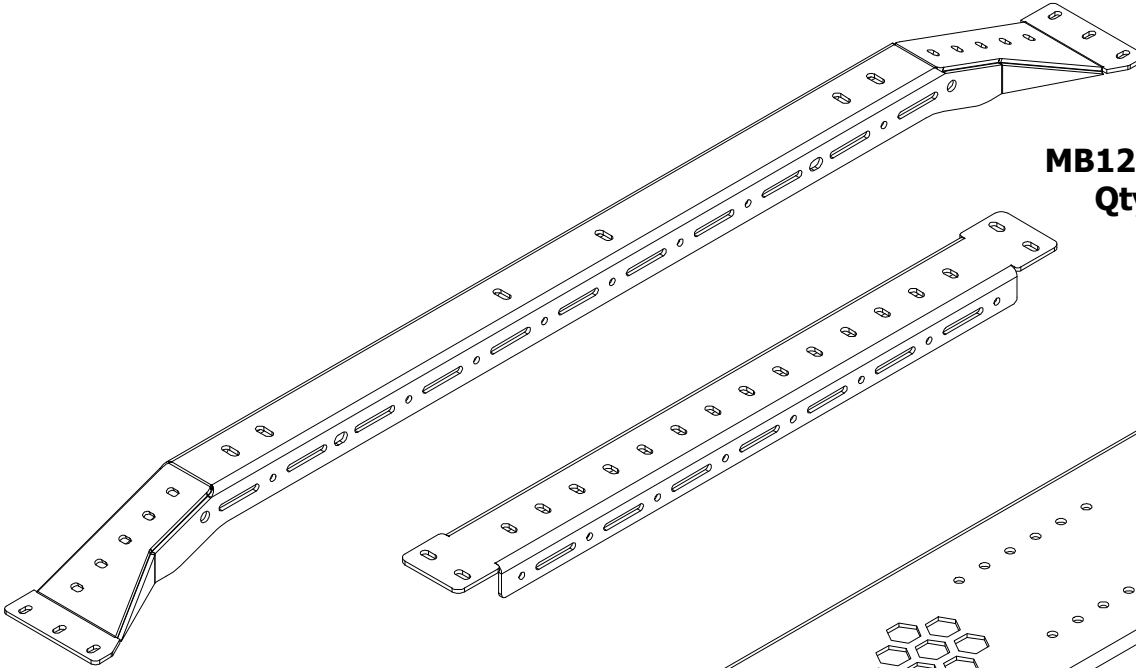
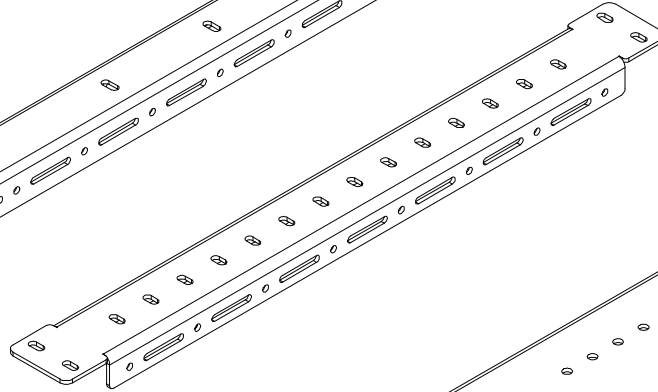
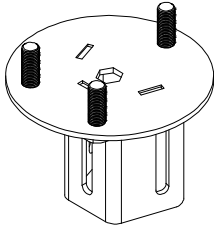
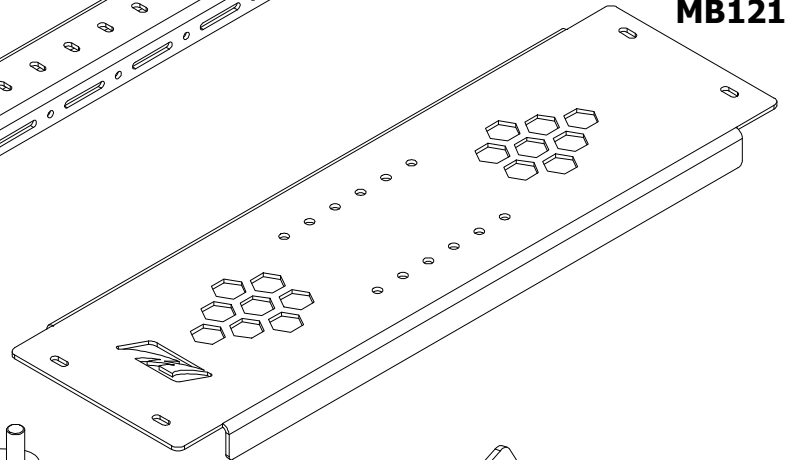
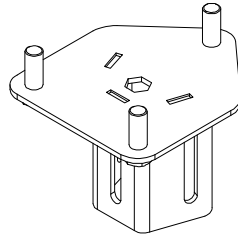
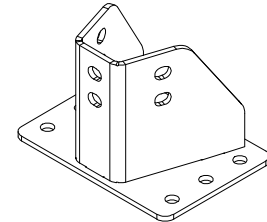
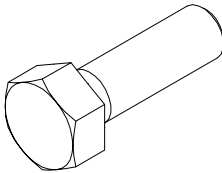
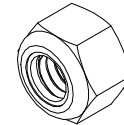
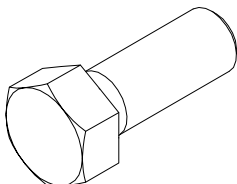
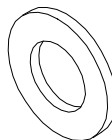
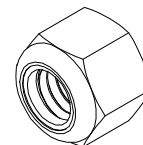
MB1212 - JT GLADIATOR MOTOBED TIRE CARRIER BED RACK



ASSEMBLY INSTRUCTIONS

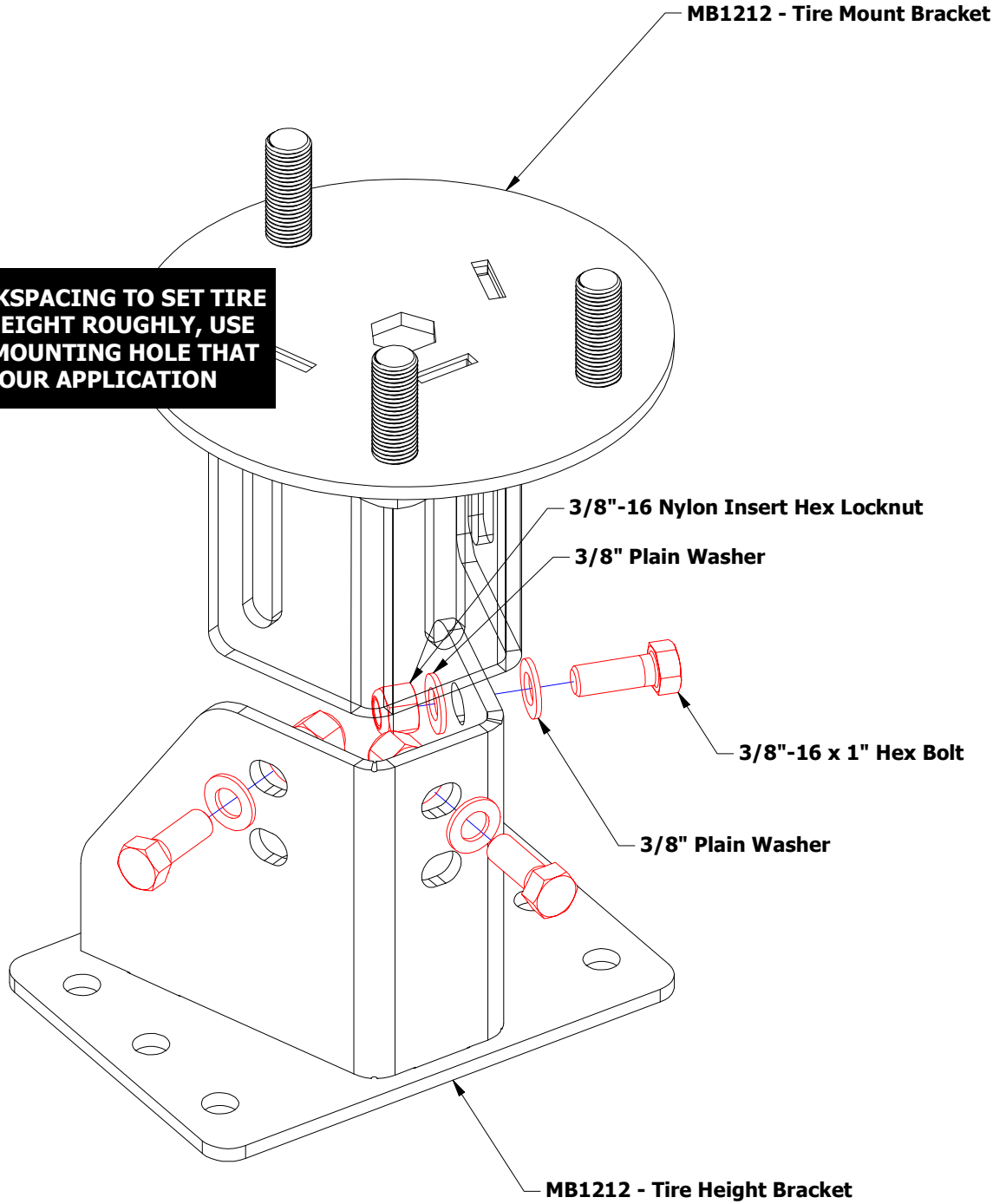
MB1212 - Assembly Instructions Motobed Tire Carrier Rack

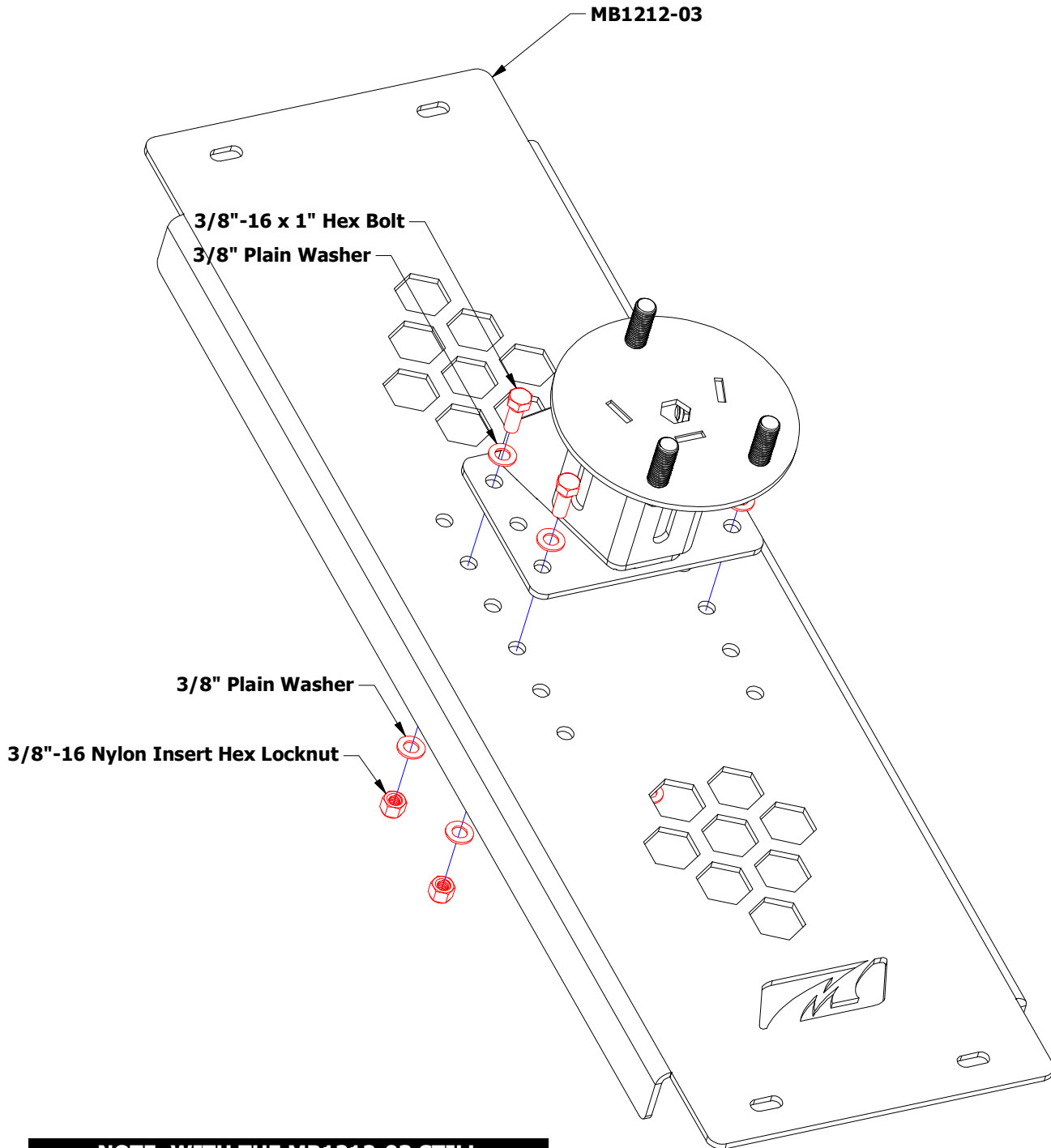
Contents

MB1212-01
Qty 2**MB1212-02**
Qty 2**MB1212-03****Tire Mount Bracket****Tire Mount Bracket - 8LUG
(Optional Replacement)****Tire Height Bracket****5/16\"-18 x 1\" Hex Bolt**
Qty 20**5/16\" Plain Washer**
Qty 40**5/16\"-18 Nylon Insert Hex Locknut**
Qty 20**3/8\"-16 x 1\" Hex Bolt**
Qty 7**3/8\" Plain Washer**
Qty 14**3/8\"-16 Nylon Insert Hex Locknut**
Qty 7

MB1212 - Assembly Instructions Motobed Tire Carrier Rack**Step 01**

MEASURE TIRE BACKSPACING TO SET TIRE CARRIER MOUNT HEIGHT ROUGHLY, USE EITHER VERTICAL MOUNTING HOLE THAT WORKS WITH YOUR APPLICATION

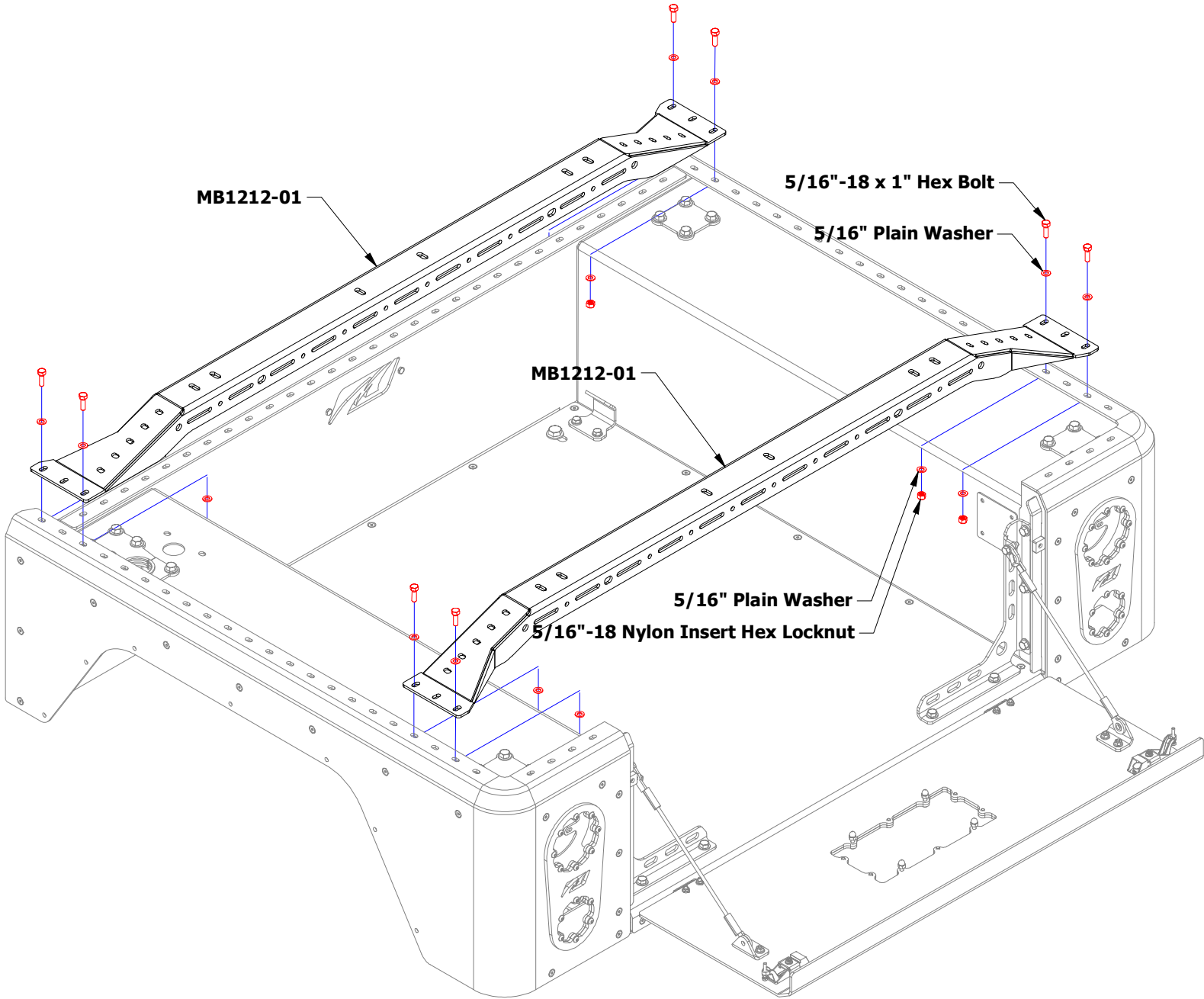


MB1212 - Assembly Instructions Motobed Tire Carrier Rack**Step 02**

NOTE: WITH THE MB1212-03 STILL UNINSTALLED YOU CAN USE YOUR SPARE TIRE TO SET THE BACKSPACE ON YOUR TIRE MOUNT AND TIGHTEN THE HARDWARE

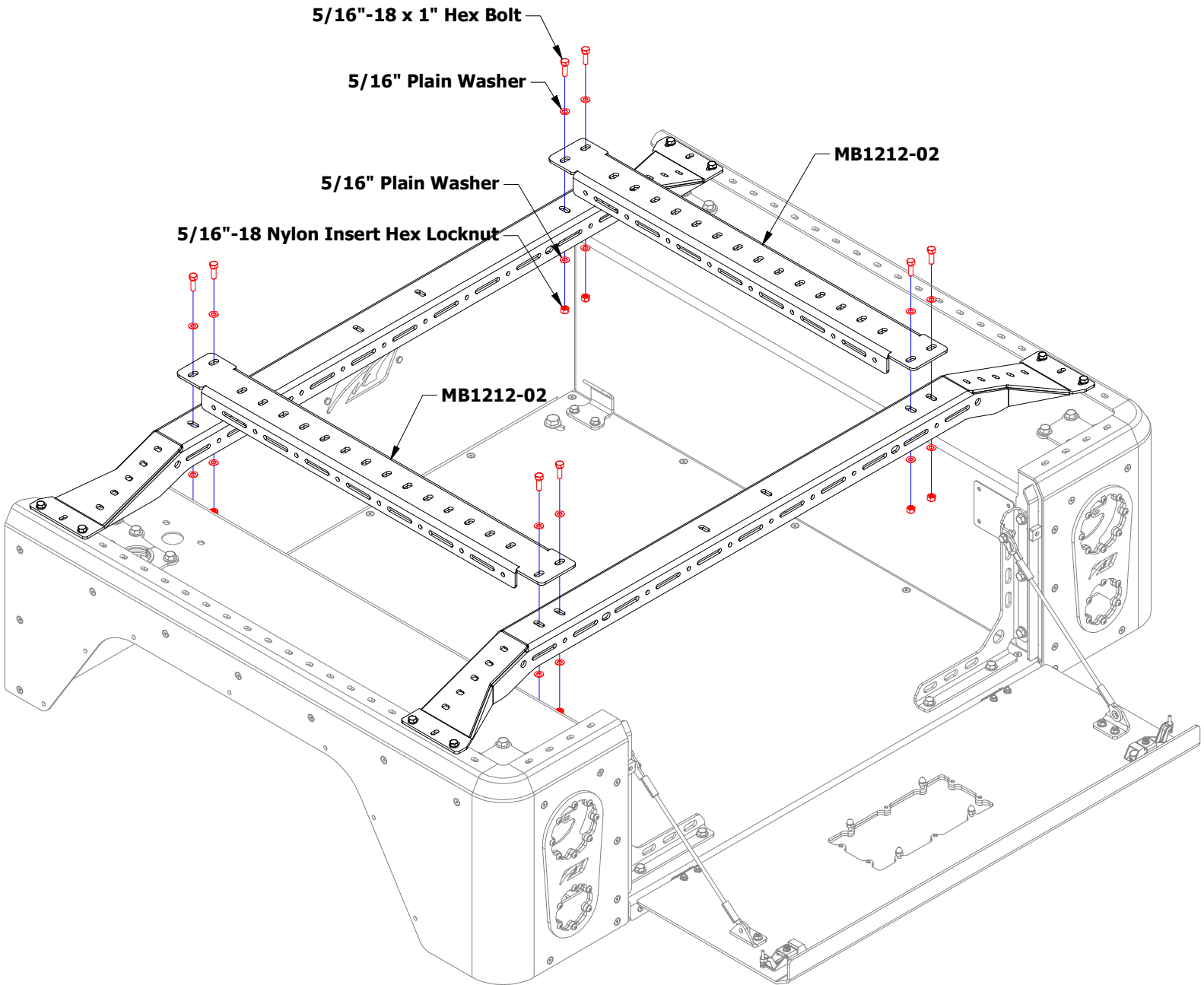
MB1212 - Assembly Instructions Motobed Tire Carrier Rack

Step 03



MB1212 - Assembly Instructions Motobed Tire Carrier Rack

Step 04



MB1212 - Assembly Instructions Motobed Tire Carrier Rack

Step 05

