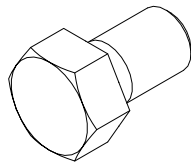
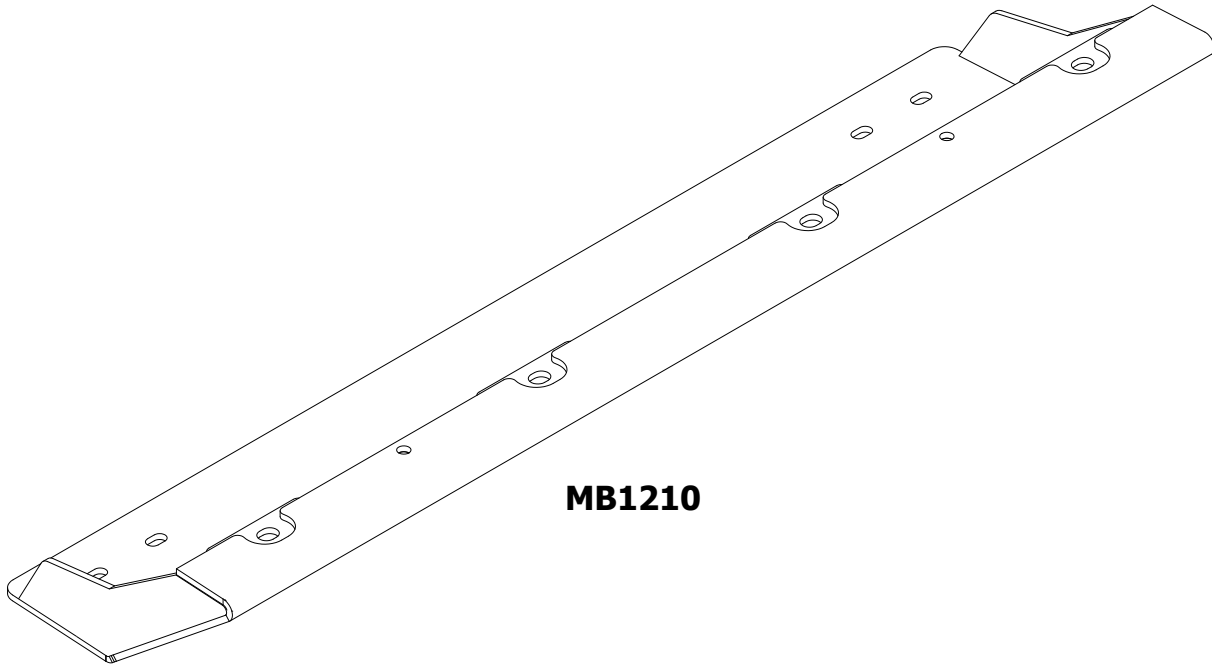
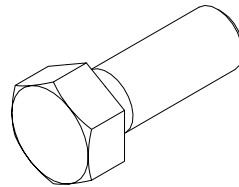
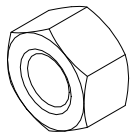


**MB1210 - Assembly Instructions Crusher HD Skid Plate****CONTENTS**

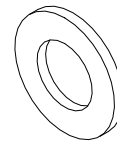
**3/8\"-16 x .75\" - HEX BOLT  
QTY: 4**



**3/8\"-16 x 1\" - HEX BOLT  
QTY: 2**



**3/8\"-16 - NYLOCK HEX NUT  
QTY: 2**



**3/8\" - FLAT WASHER  
QTY: 8**