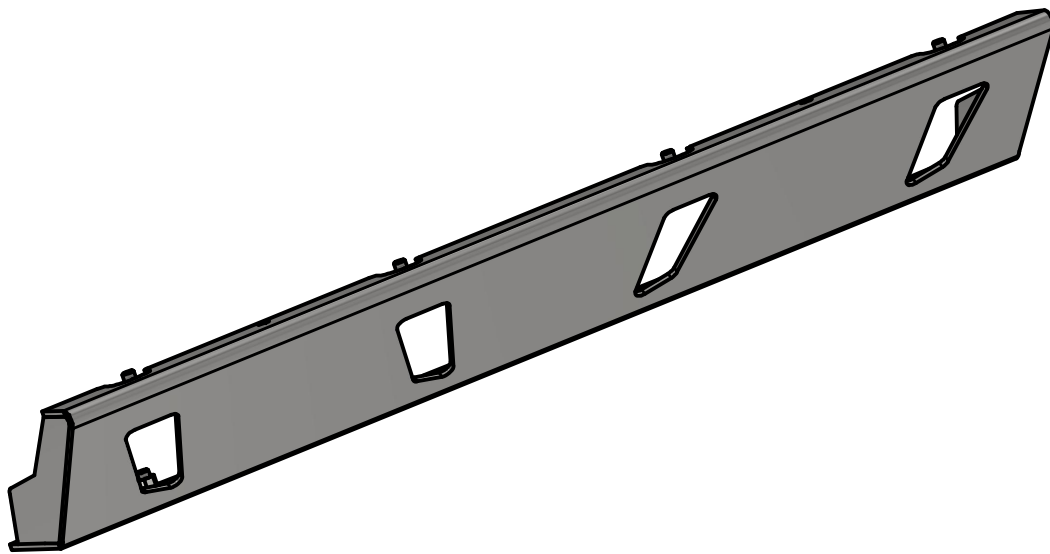


MB1210 - Assembly Instructions Crusher HD Skidplate

MB1210 - CRUSHER HD SKIDPLATE

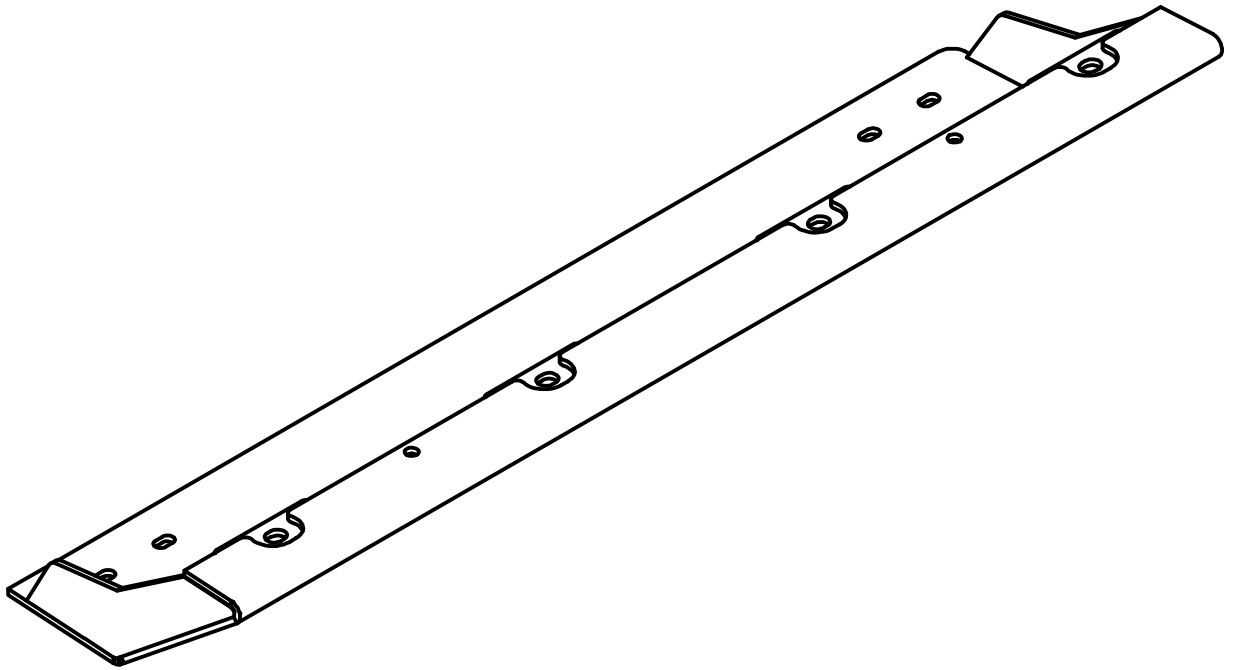
COMPATIBLE WITH JEEP JK/JKU



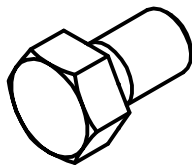
ASSEMBLY INSTRUCTIONS

MB1210 - Assembly Instructions Crusher HD Skid Plate

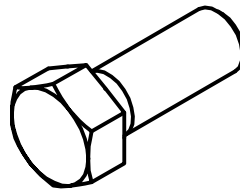
CONTENTS



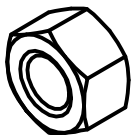
MB1210



**3/8\"-16 x .75\" - HEX BOLT
QTY: 2**



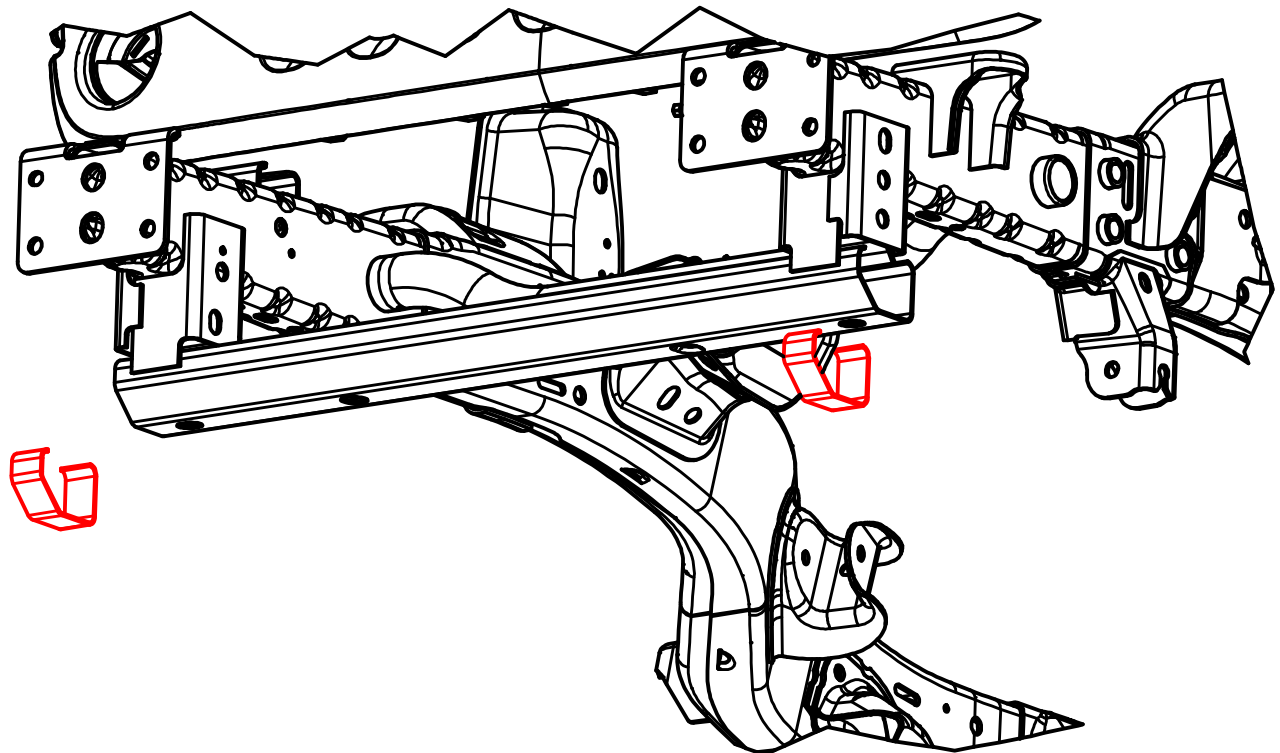
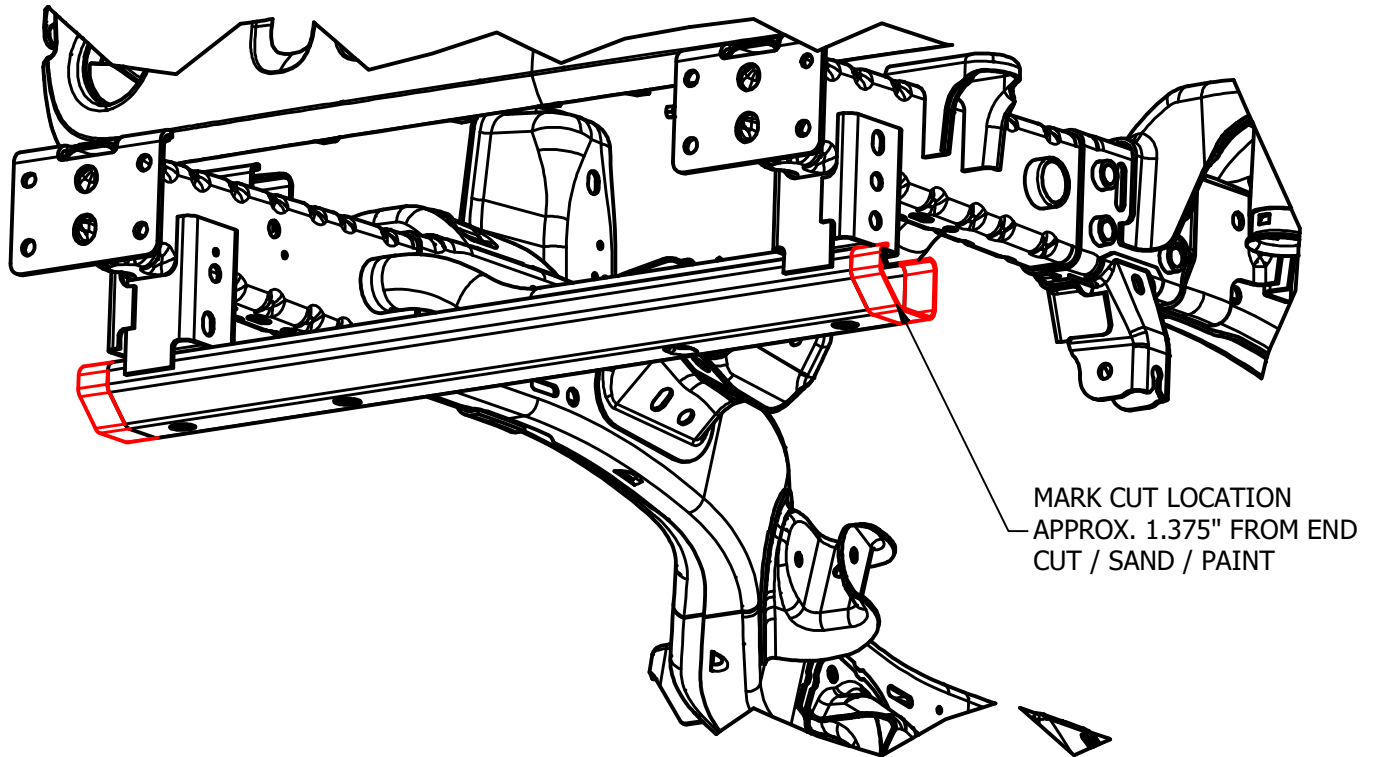
**3/8\"-16 x 1\" - HEX BOLT
QTY: 2**

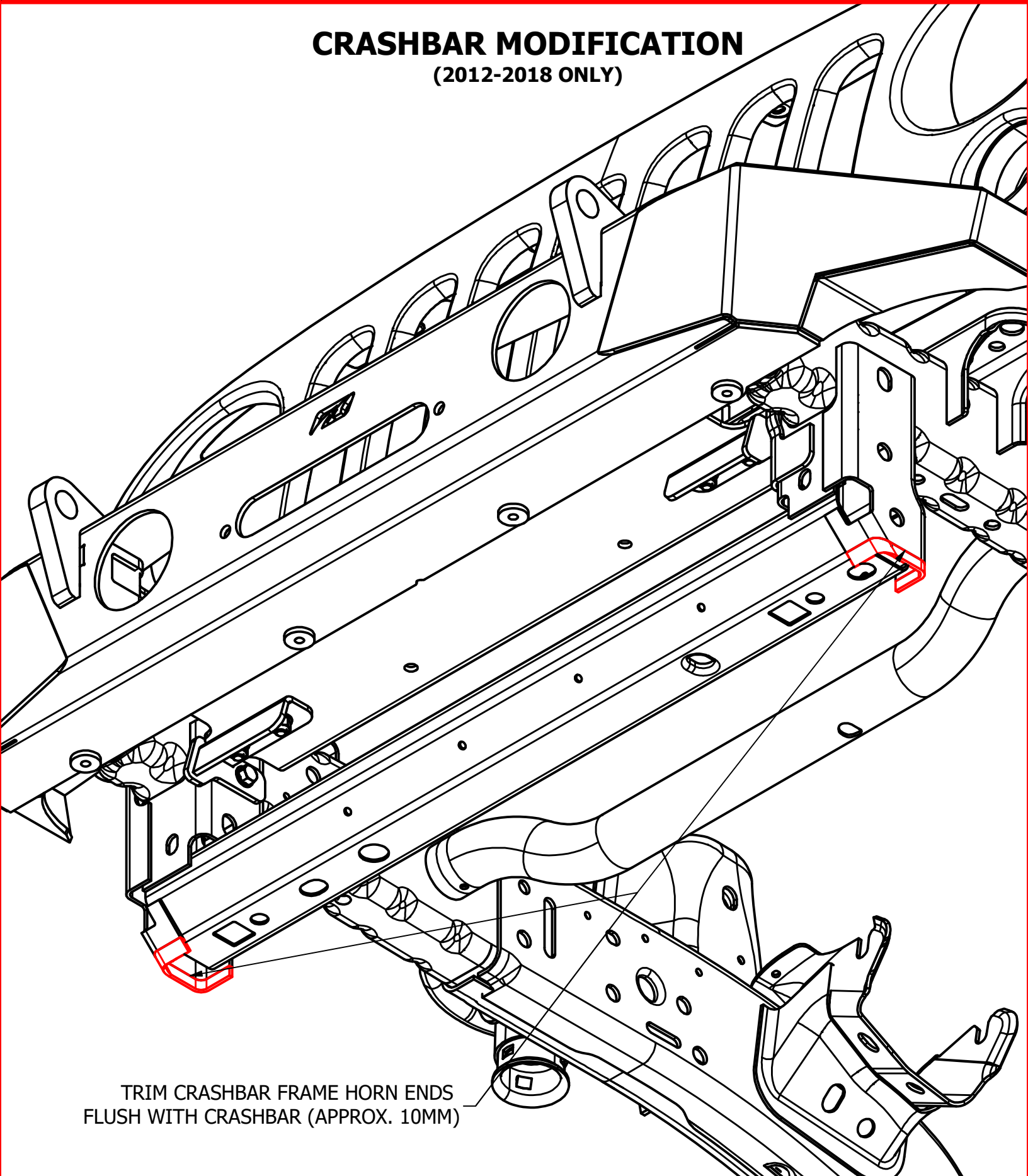


**3/8\"-16 - HEX NUT
QTY: 2**



**3/8\" - FLAT WASHER
QTY: 6**

MB1210 - Assembly Instructions Crusher HD Skidplate**CRASHBAR MODIFICATION****(2007-2011 ONLY)**

MB1210 - Assembly Instructions Crusher HD Skidplate**CRASHBAR MODIFICATION
(2012-2018 ONLY)**

TRIM CRASHBAR FRAME HORN ENDS
FLUSH WITH CRASHBAR (APPROX. 10MM)

MB1210 - Assembly Instructions Crusher HD Skidplate

