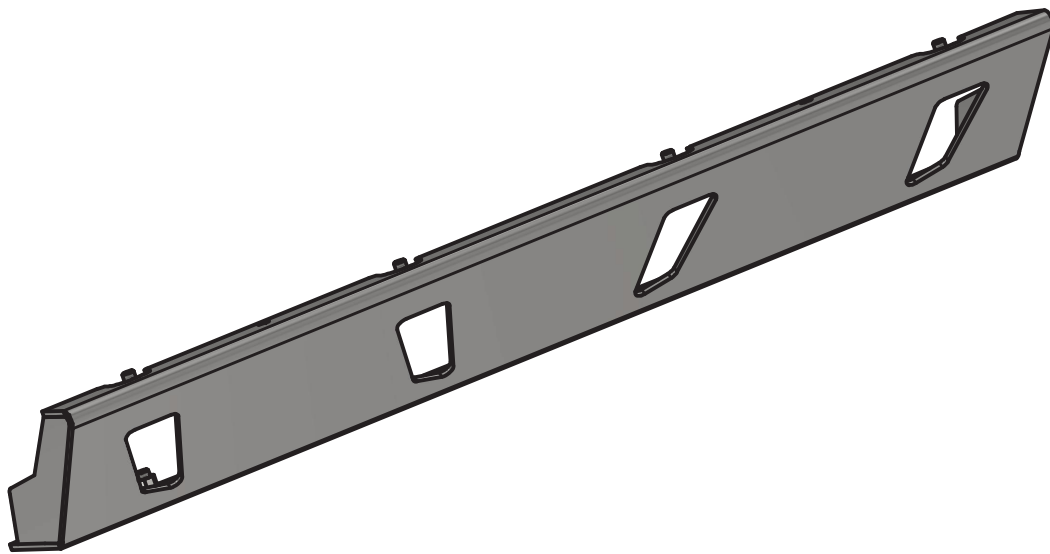


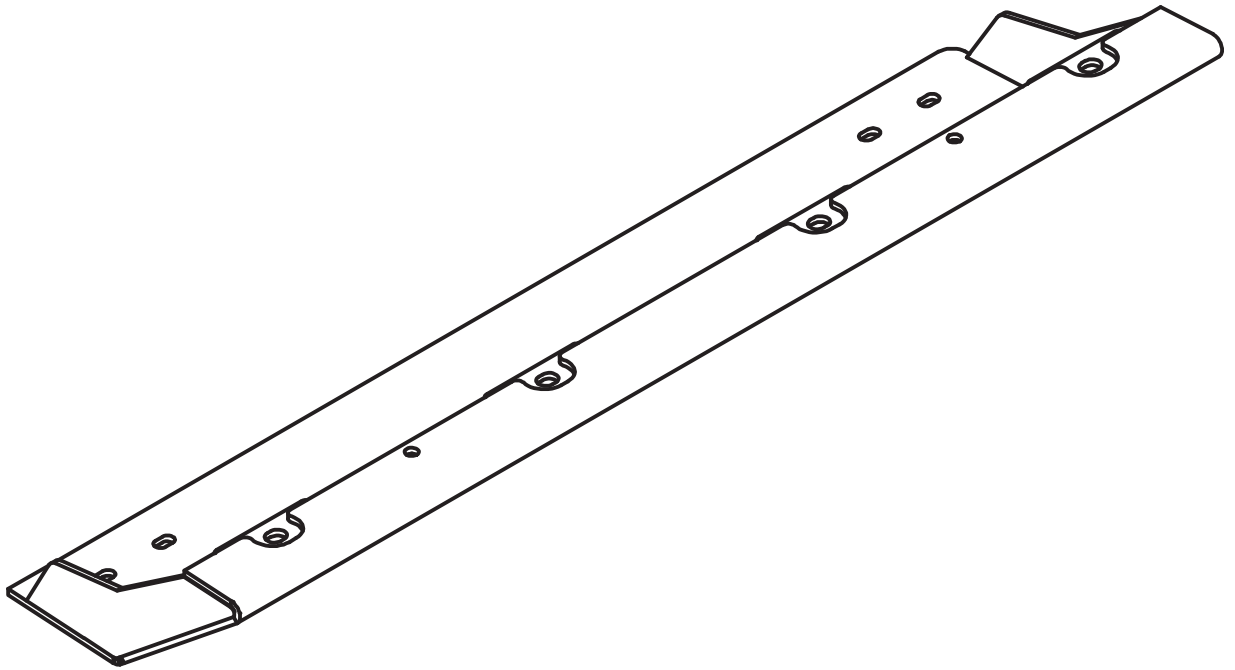
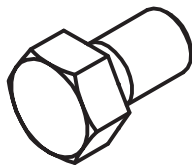
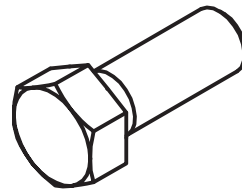
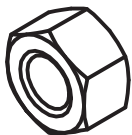
MB1210 - Assembly Instructions Crusher HD Skidplate

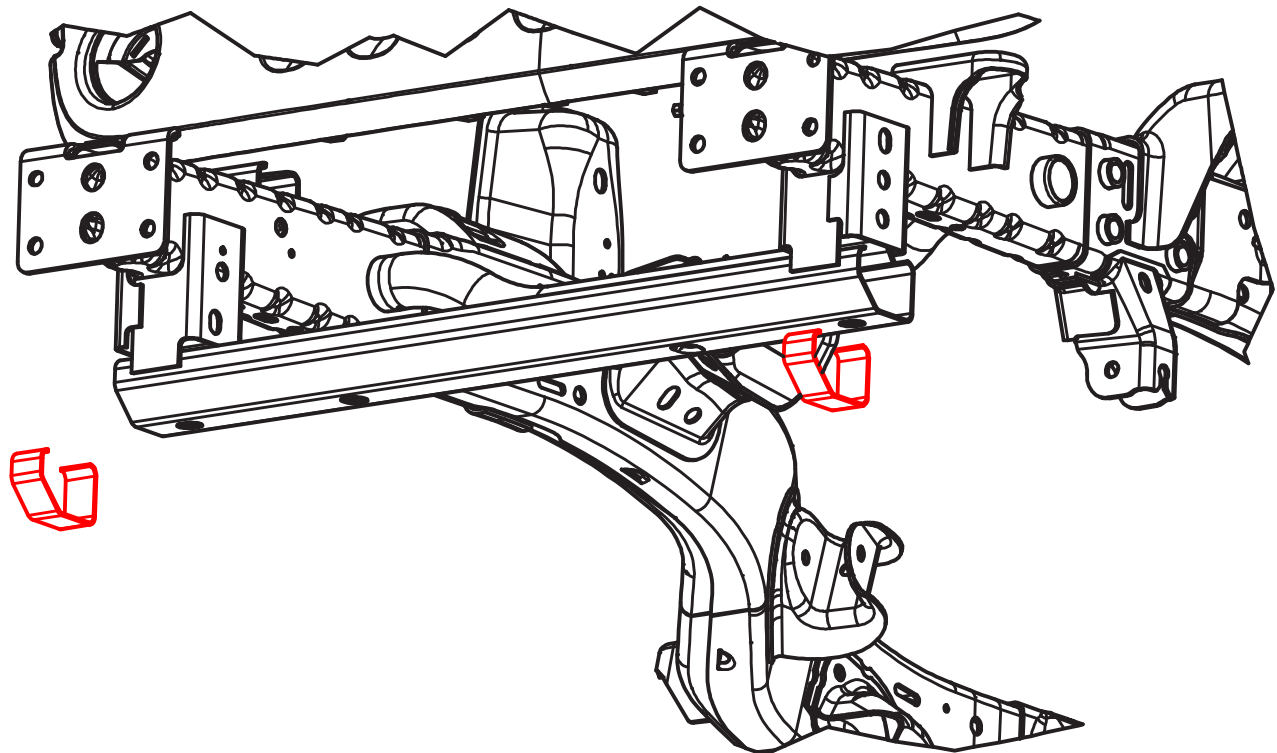
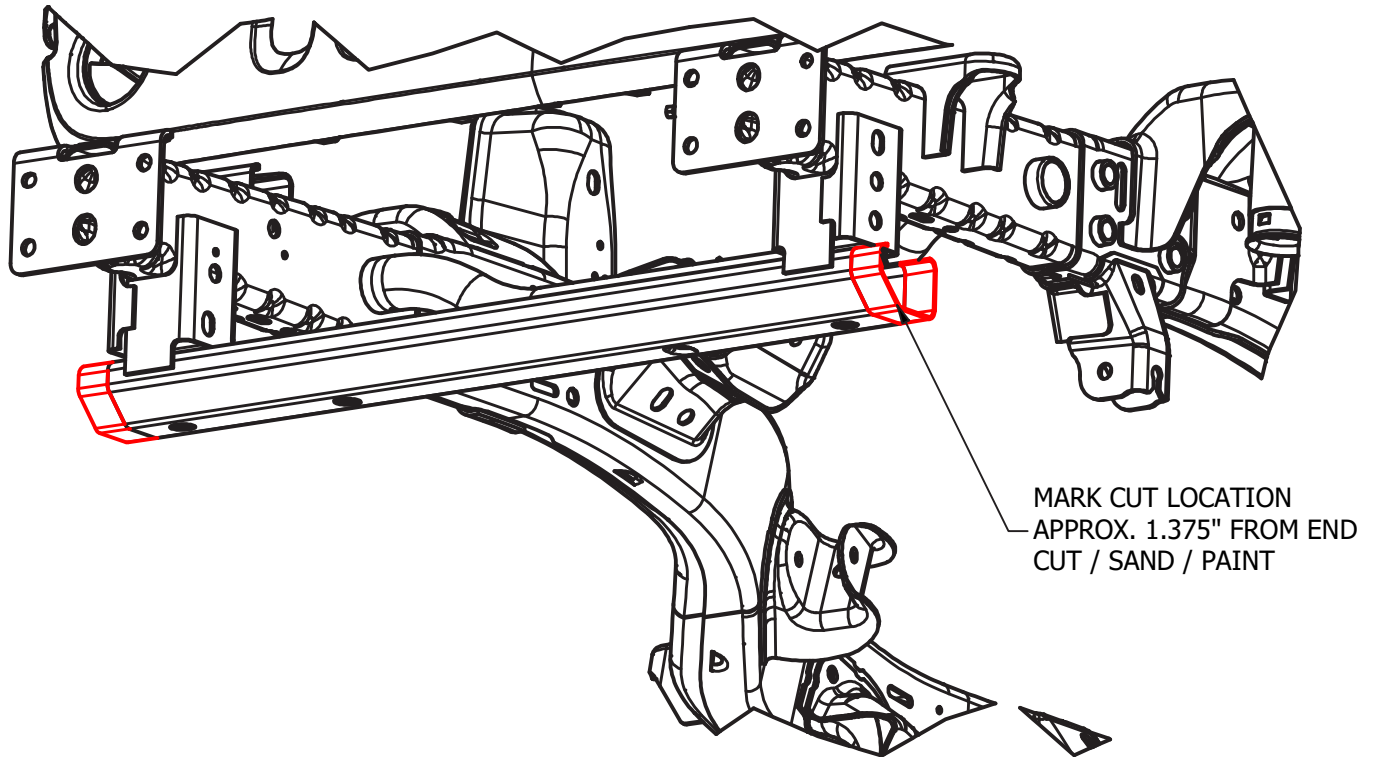
MB1210 - CRUSHER HD SKIDPLATE

COMPATIBLE WITH JEEP JK/JKU



ASSEMBLY INSTRUCTIONS

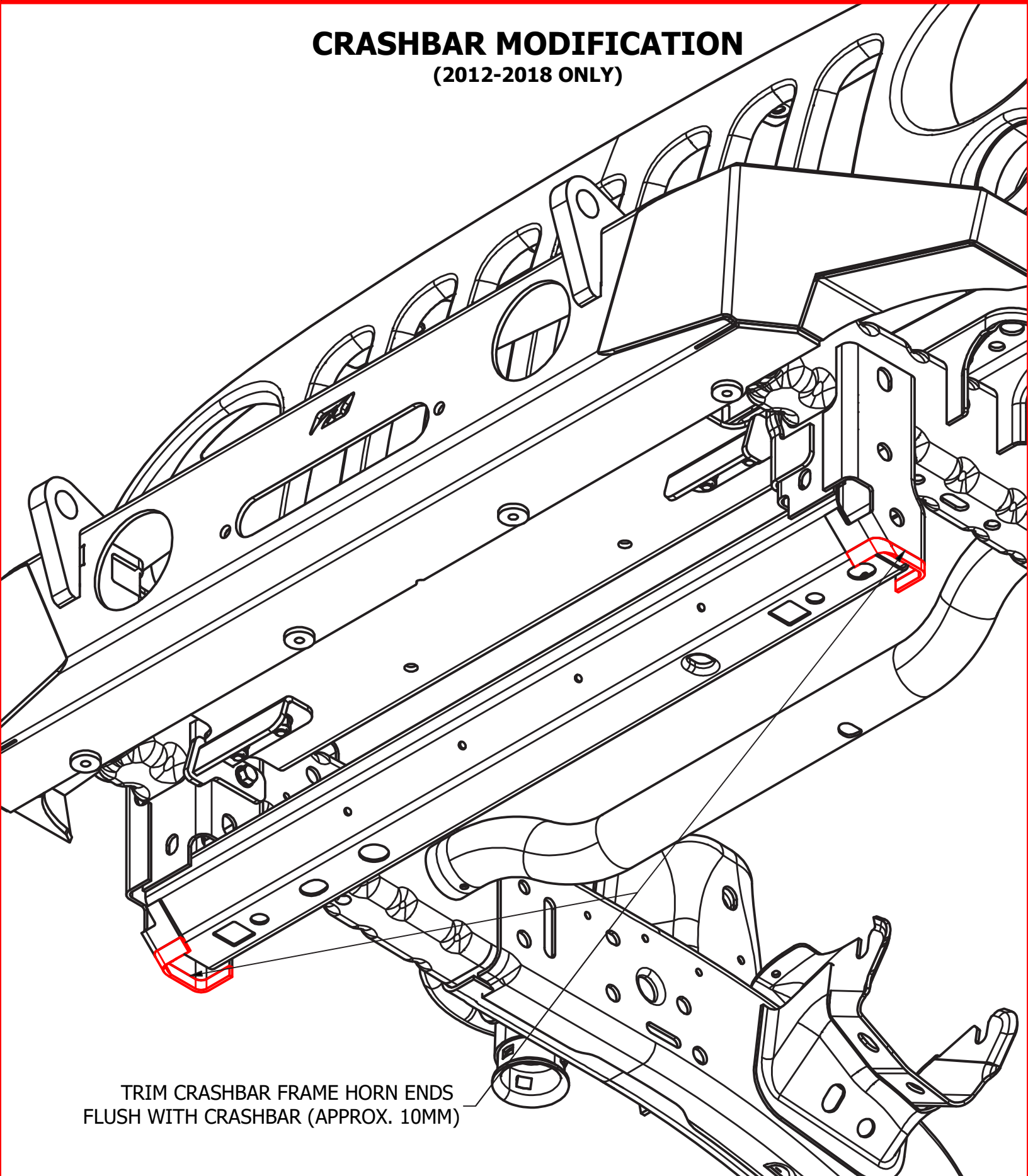
MB1210 - Assembly Instructions Crusher HD Skid Plate**CONTENTS****MB1210****3/8\"-16 x .75\" - HEX BOLT
QTY: 2****3/8\"-16 x 1\" - HEX BOLT
QTY: 2****3/8\"-16 - HEX NUT
QTY: 2****3/8\" - FLAT WASHER
QTY: 6**

MB1210 - Assembly Instructions Crusher HD Skidplate**CRASHBAR MODIFICATION
(2007-2011 ONLY)**

MB1210 - Assembly Instructions Crusher HD Skidplate

CRASHBAR MODIFICATION

(2012-2018 ONLY)



TRIM CRASHBAR FRAME HORN ENDS
FLUSH WITH CRASHBAR (APPROX. 10MM)

MB1210 - Assembly Instructions Crusher HD Skidplate

