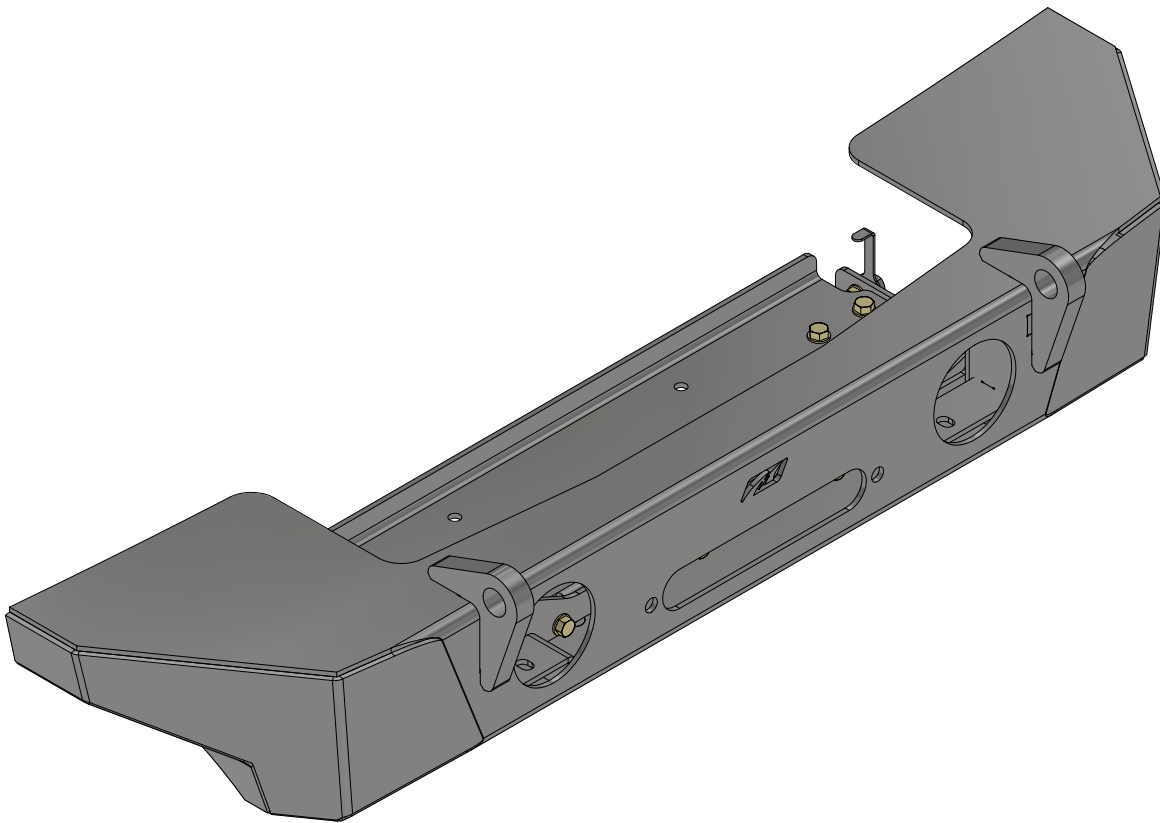


**MB1209 - Assembly Instructions Crusher HD Front Bumper**

# MB1209 - CRUSHER HD FRONT BUMPER

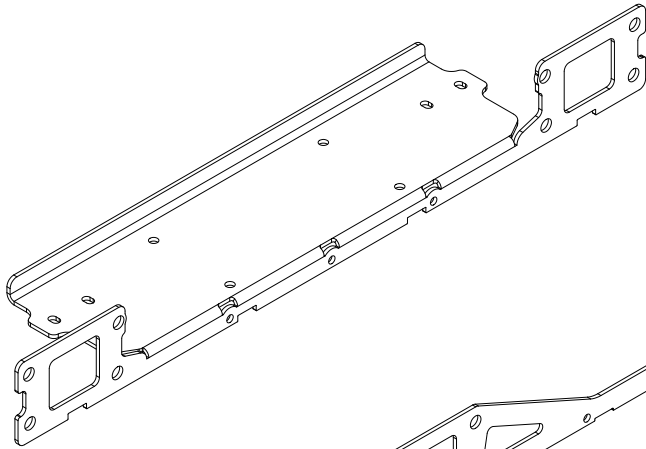
COMPATIBLE WITH JEEP JK/JKU



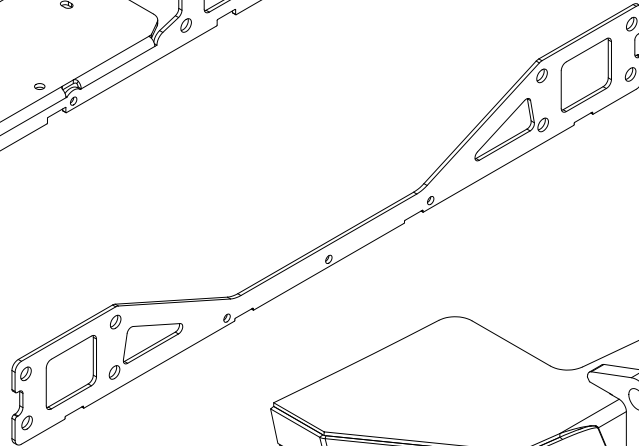
## ASSEMBLY INSTRUCTIONS

**MB1209 - Assembly Instructions Crusher HD Front Bumper**

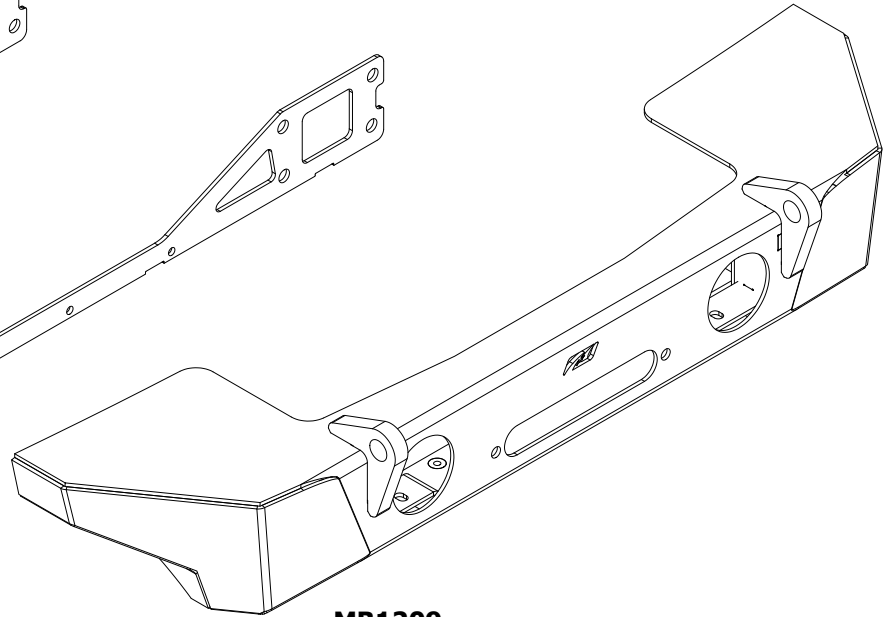
**CONTENTS**



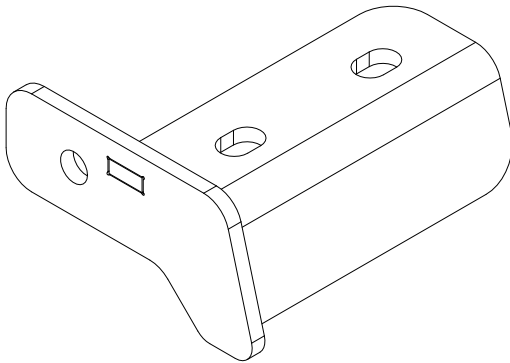
**MB1209-10**  
Qty 1



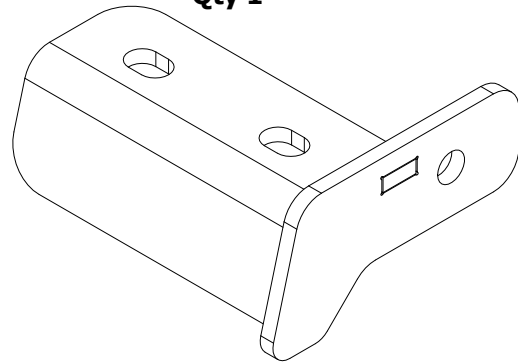
**MB1209-11**  
Qty 1



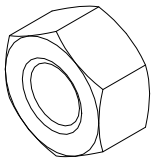
**MB1209**  
Qty 1



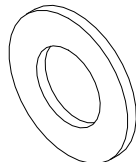
**FRAME BRACKET - PASSENGER**  
Qty 1



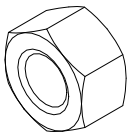
**FRAME BRACKET - DRIVER**  
Qty 1



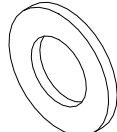
**7/16" - 14 - NYLOCK HEX NUT**  
Qty 8



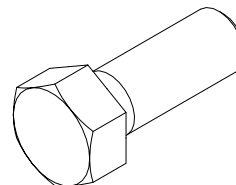
**7/16" - FLAT WASHER**  
Qty 8



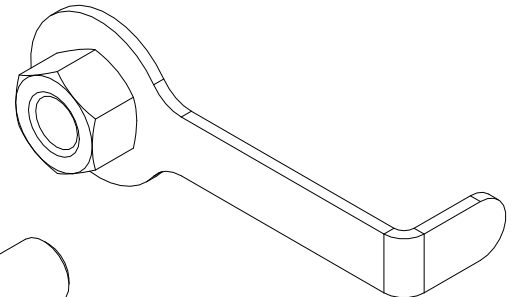
**3/8" - 16 - NYLOCK HEX NUT**  
Qty 7



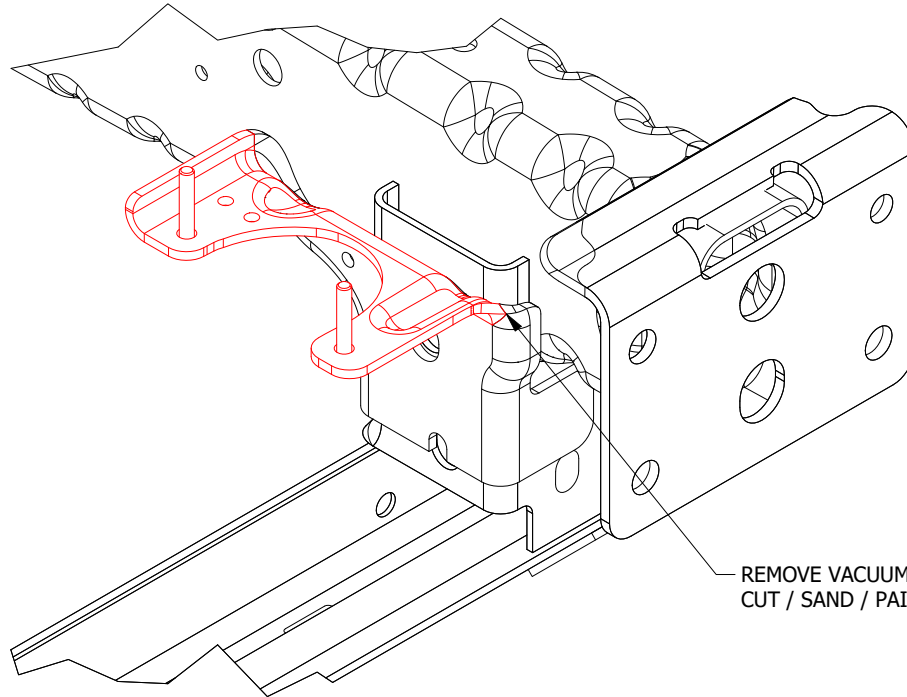
**3/8" - FLAT WASHER**  
Qty 16



**3/8" - 16 x 1" HEX BOLT**  
Qty 9

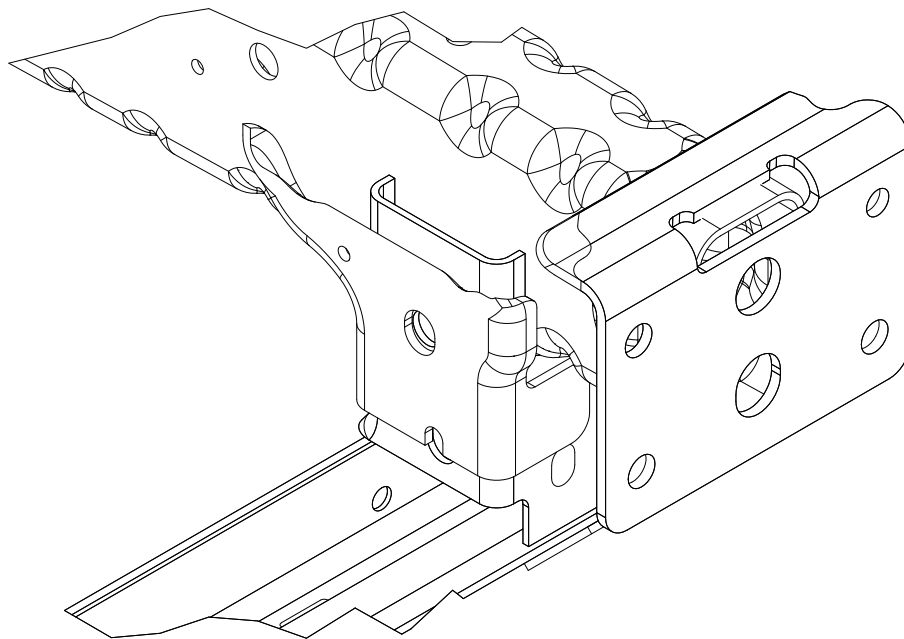


**NUTSTRIP**  
Qty 2

**MB1209 - Assembly Instructions Crusher HD Front Bumper****VACUUM PUMP BRACKET REMOVAL**  
(2012-2018 ONLY)

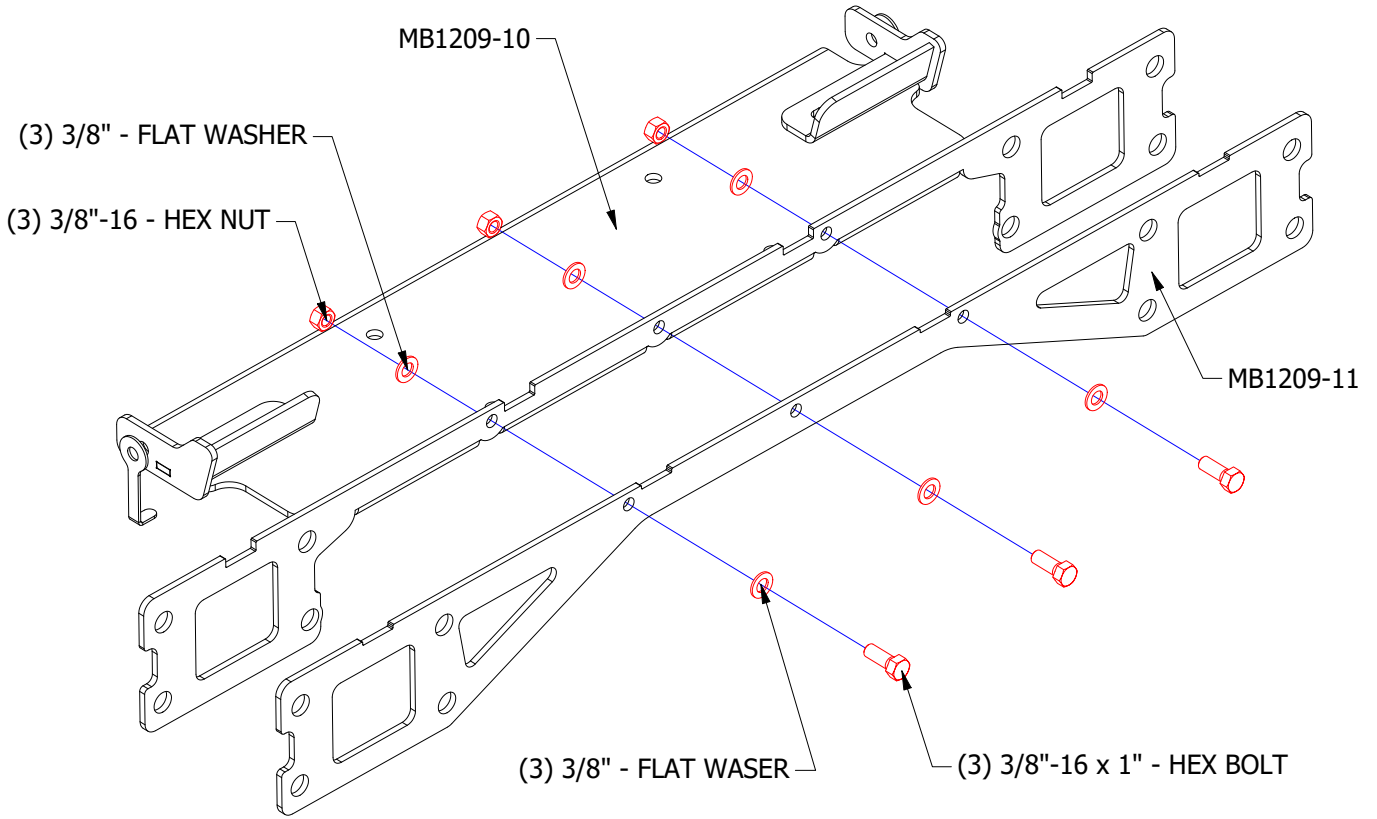
REMOVE VACUUM PUMP MOUNTING BRACKET  
CUT / SAND / PAINT

TRIM HERE

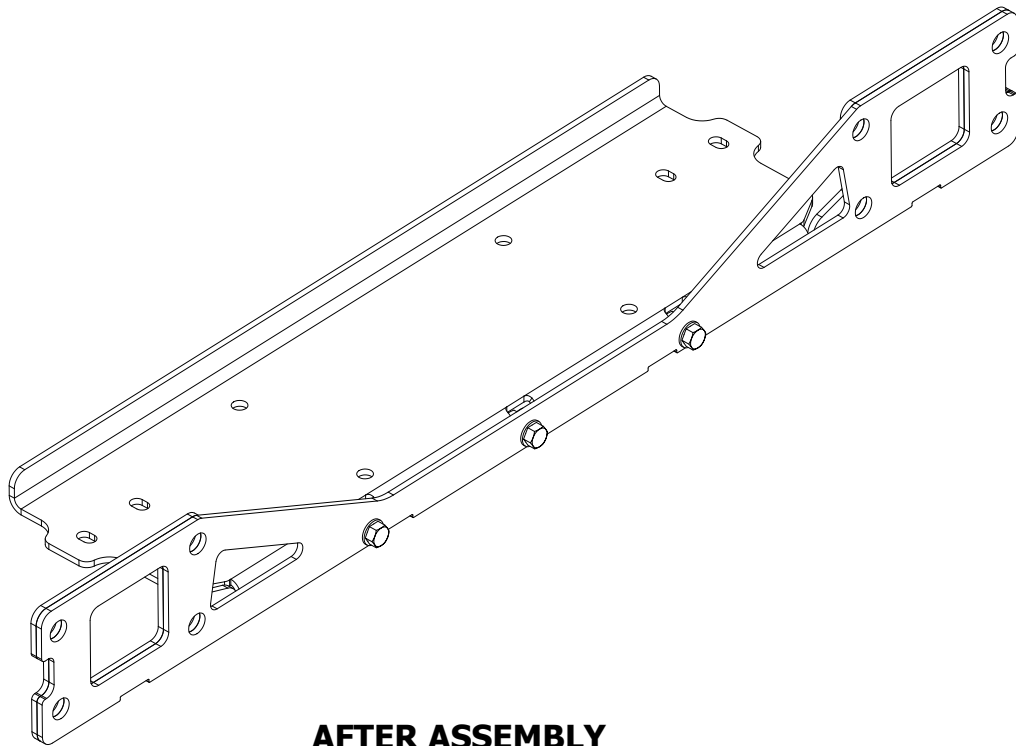


VACUUM PUMP BRACKET REMOVED

**MB1209 - Assembly Instructions Crusher HD Front Bumper**

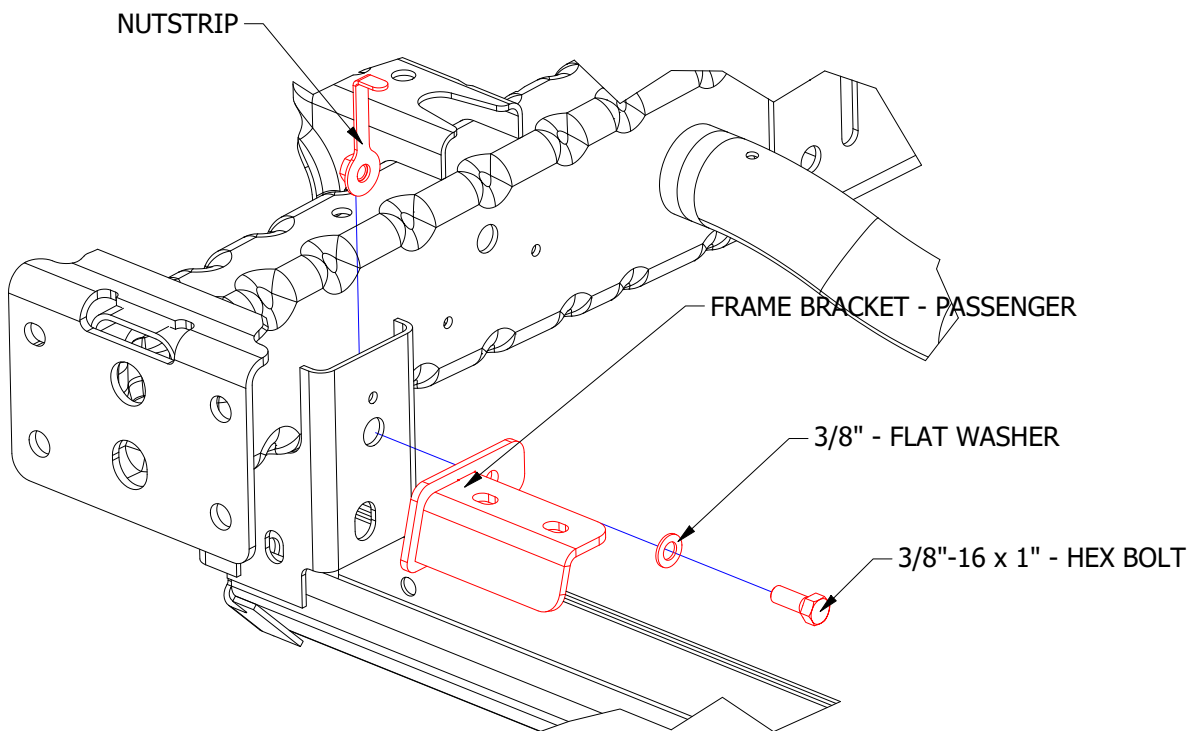
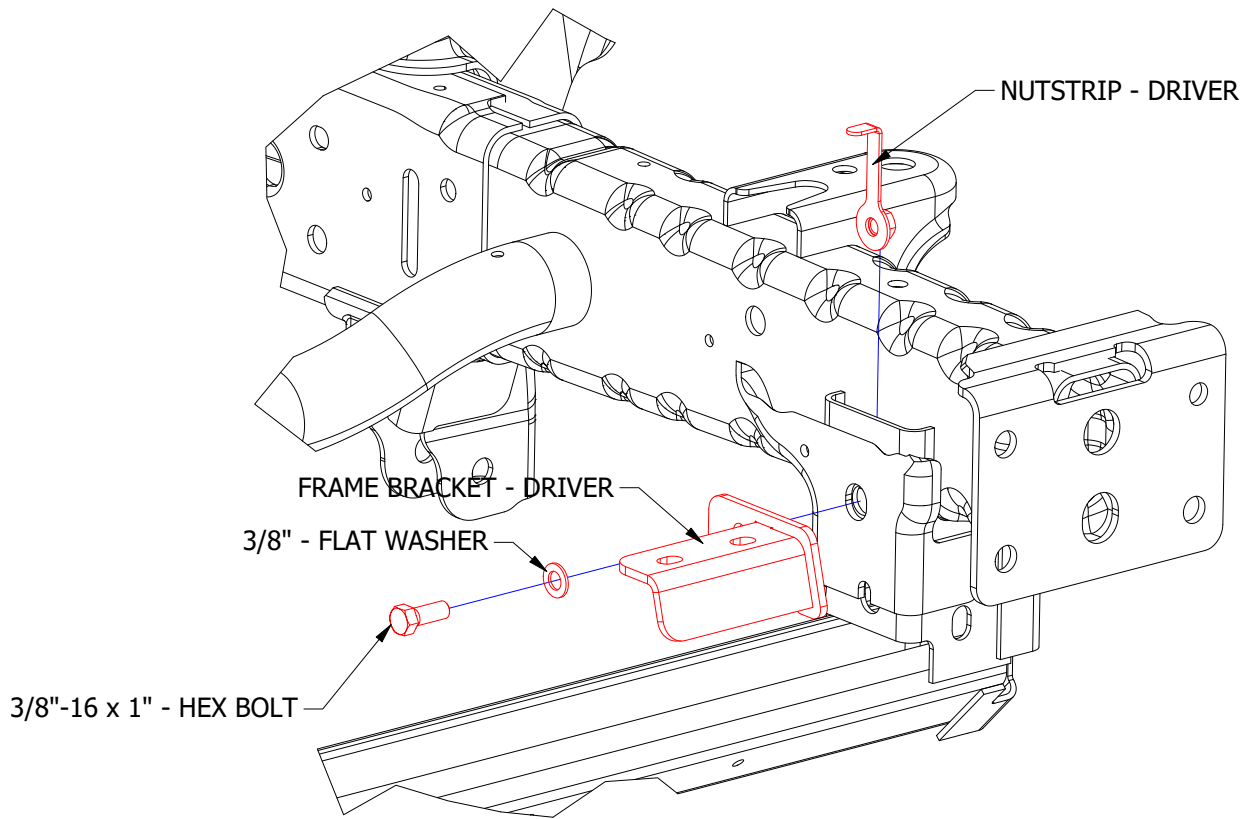


**WINCH PLATE ASSEMBLY**

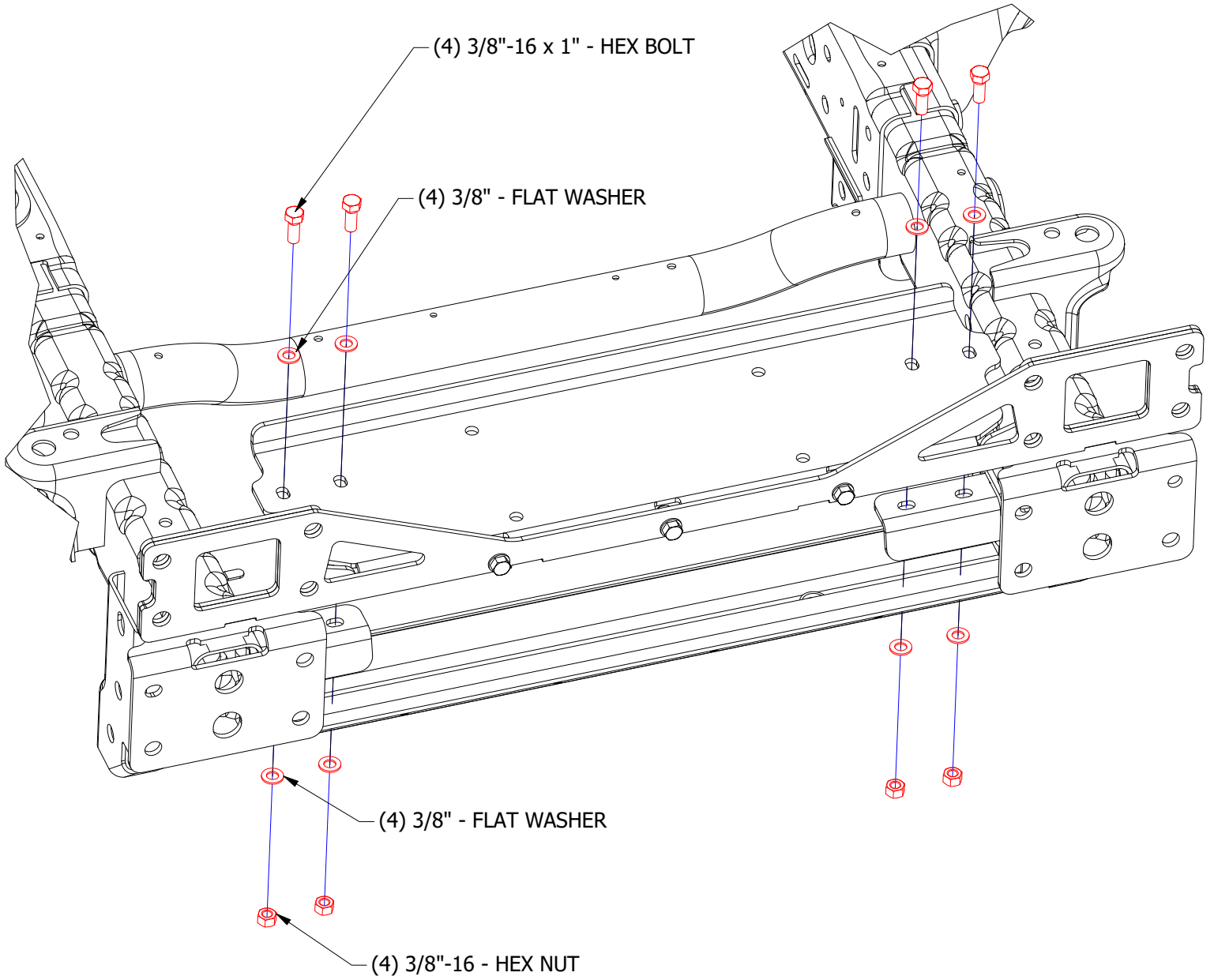


**AFTER ASSEMBLY**

**MB1209 - Assembly Instructions Crusher HD Front Bumper**

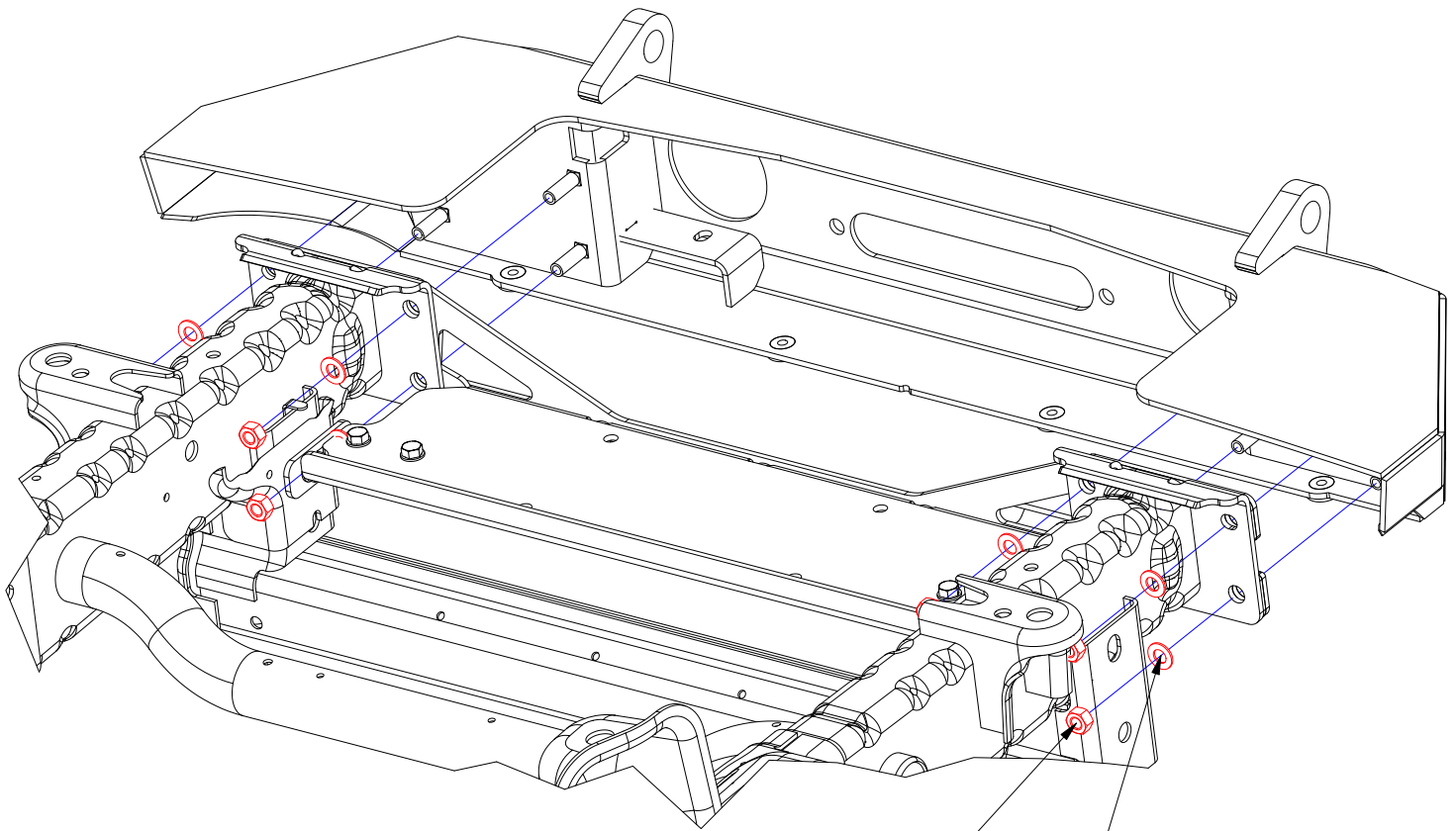


**MB1209 - Assembly Instructions Crusher HD Front Bumper**



**WINCH PLATE INSTALLATION**

**MB1209 - Assembly Instructions Crusher HD Front Bumper**



(8) 7/16"-14 - HEX NUT

(8) 7/16"-14 - FLAT WASHER

**BUMPER INSTALLATION**