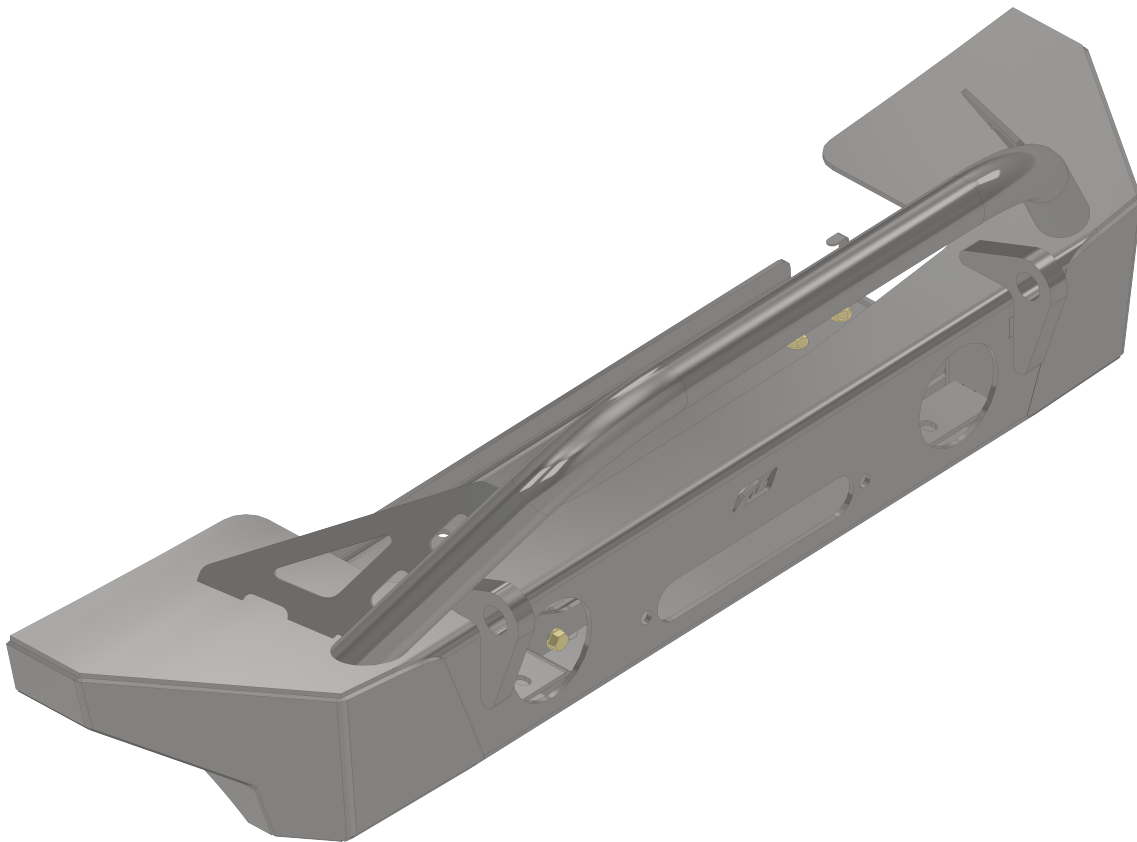


MB1209 - Assembly Instructions Crusher HD Front Bumper

MB1209-B - CRUSHER HD FRONT BUMPER

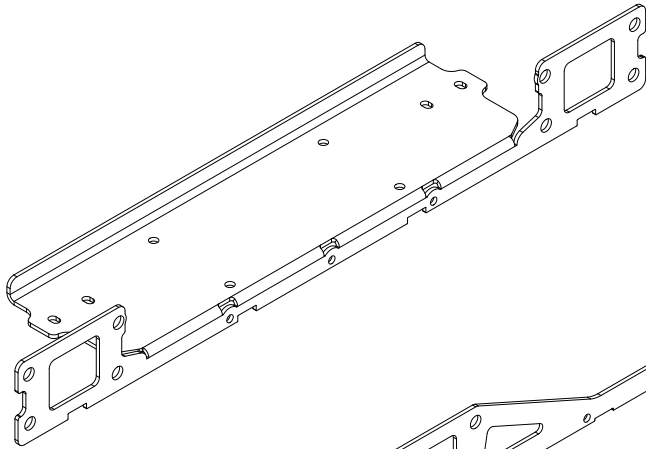
COMPATIBLE WITH JEEP JK/JKU



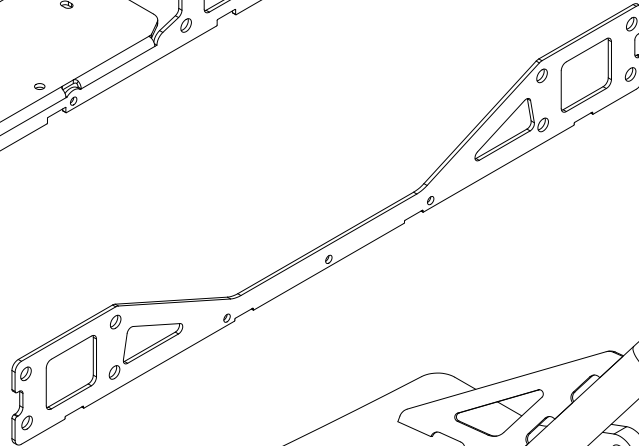
ASSEMBLY INSTRUCTIONS

MB1209 - Assembly Instructions Crusher HD Front Bumper

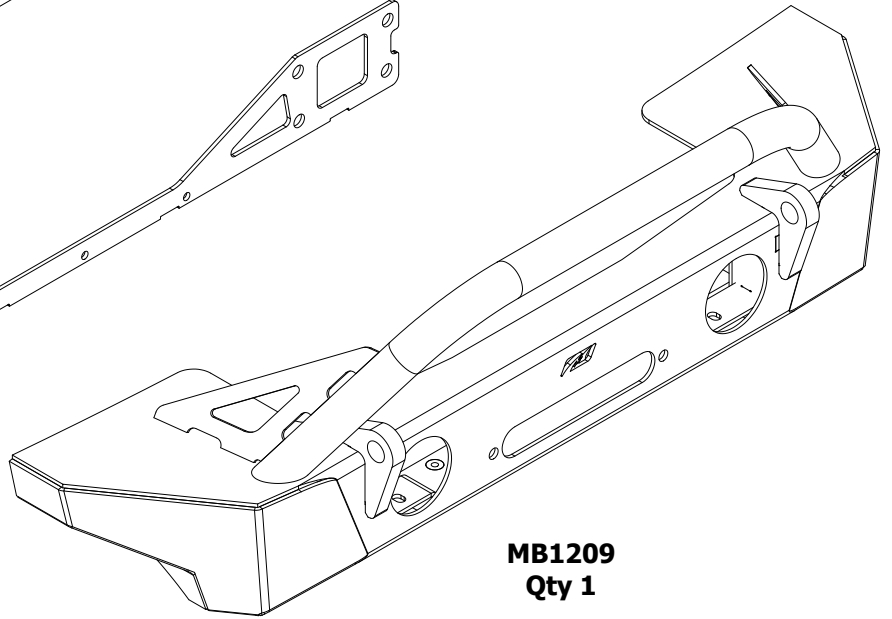
CONTENTS



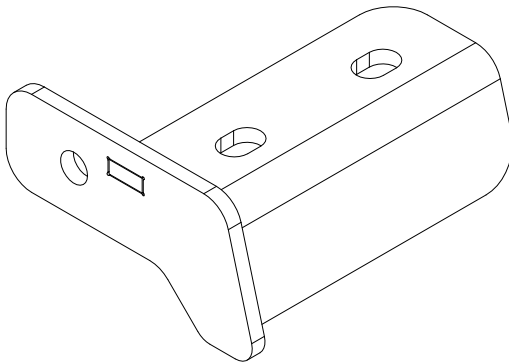
MB1209-10
Qty 1



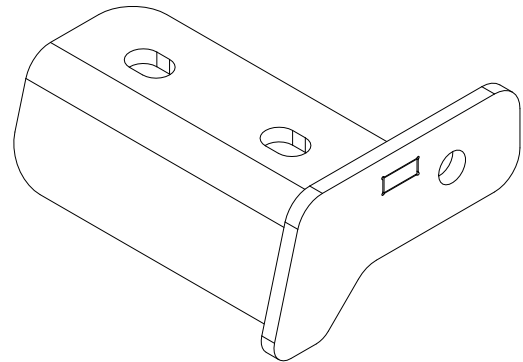
MB1209-11
Qty 1



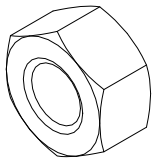
MB1209
Qty 1



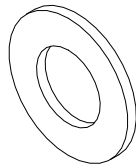
FRAME BRACKET - PASSENGER
Qty 1



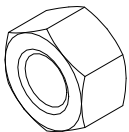
FRAME BRACKET - DRIVER
Qty 1



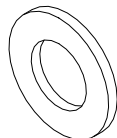
7/16"-14 - NYLOCK HEX NUT
Qty 8



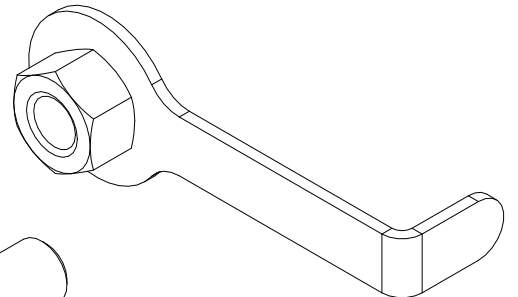
7/16" - FLAT WASHER
Qty 8



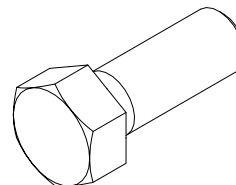
3/8"-16 - NYLOCK HEX NUT
Qty 7



3/8" - FLAT WASHER
Qty 16



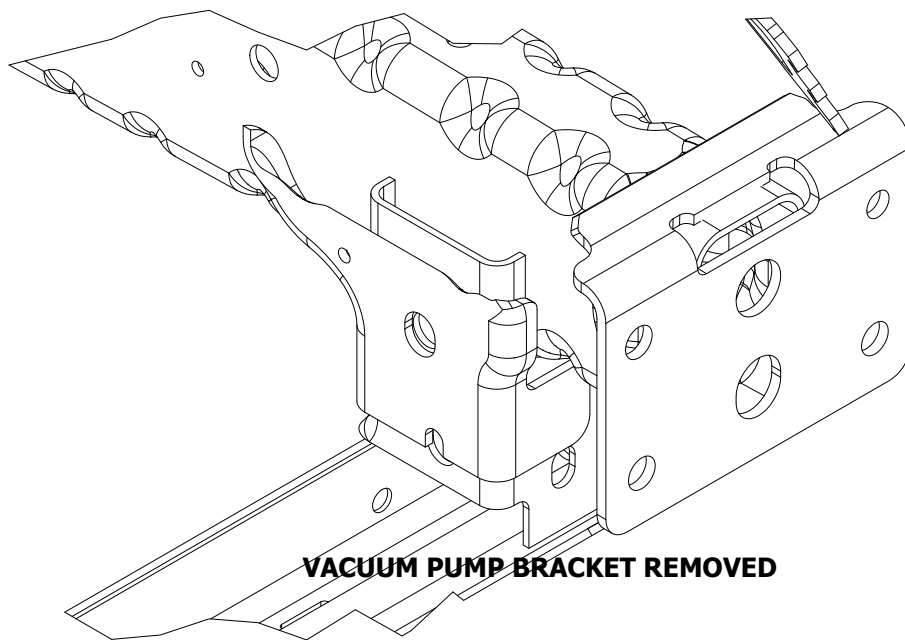
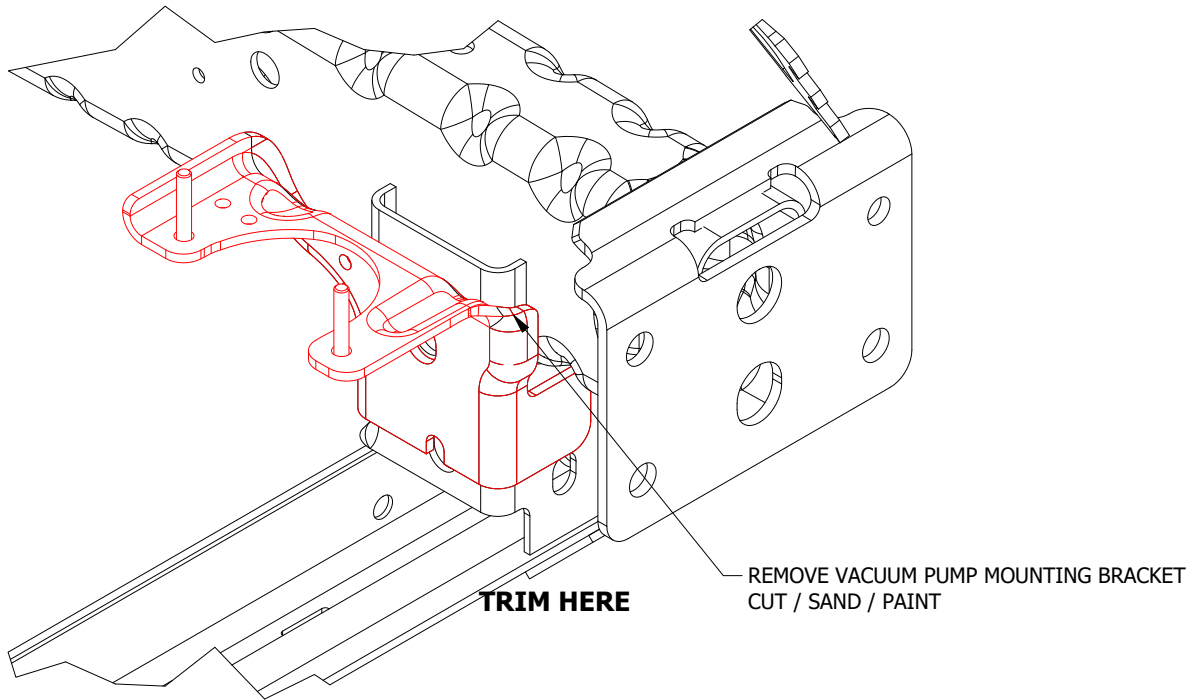
NUTSTRIP
Qty 2



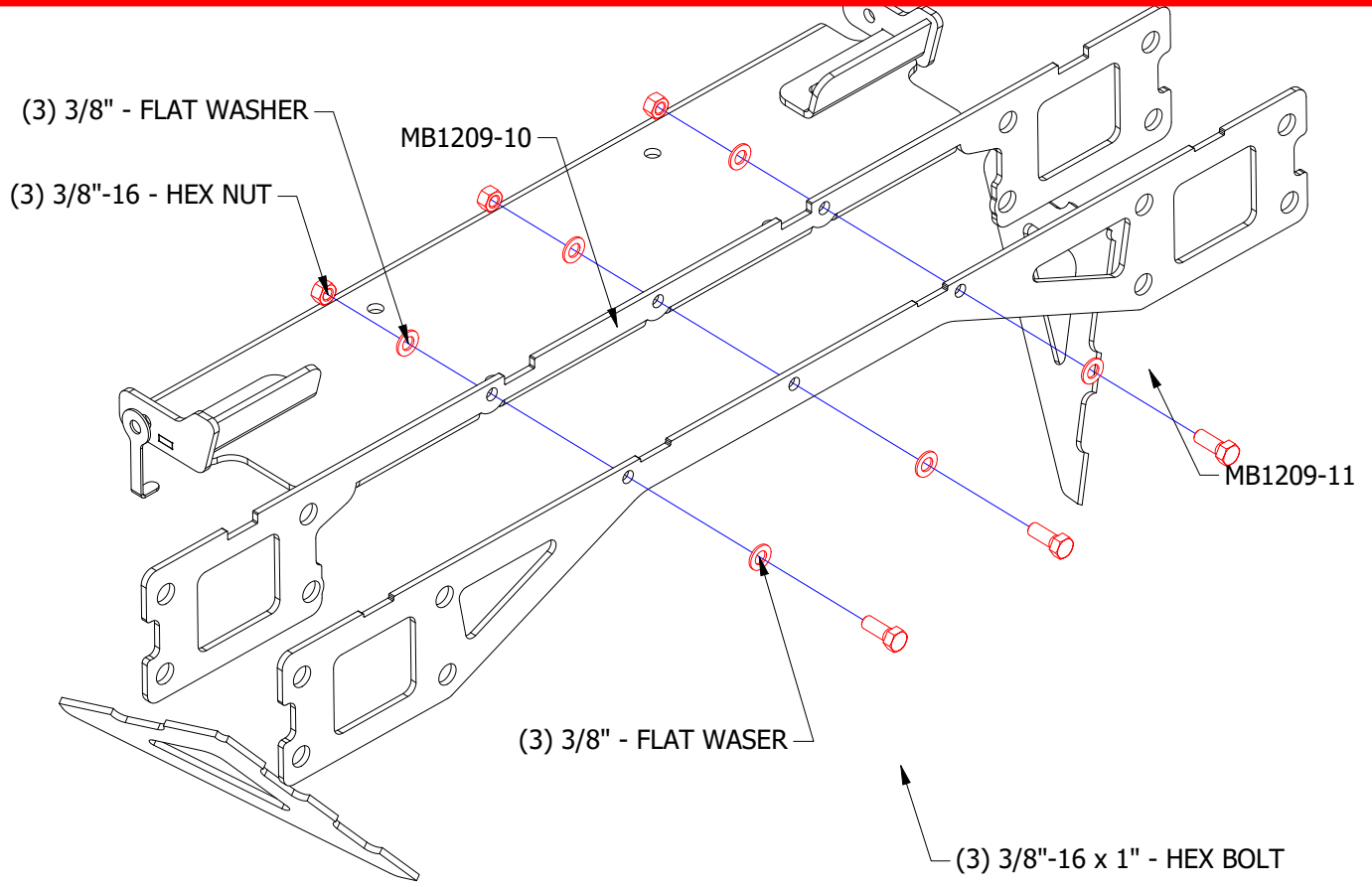
3/8"-16 x 1" HEX BOLT
Qty 9

MB1209 - Assembly Instructions Crusher HD Front Bumper

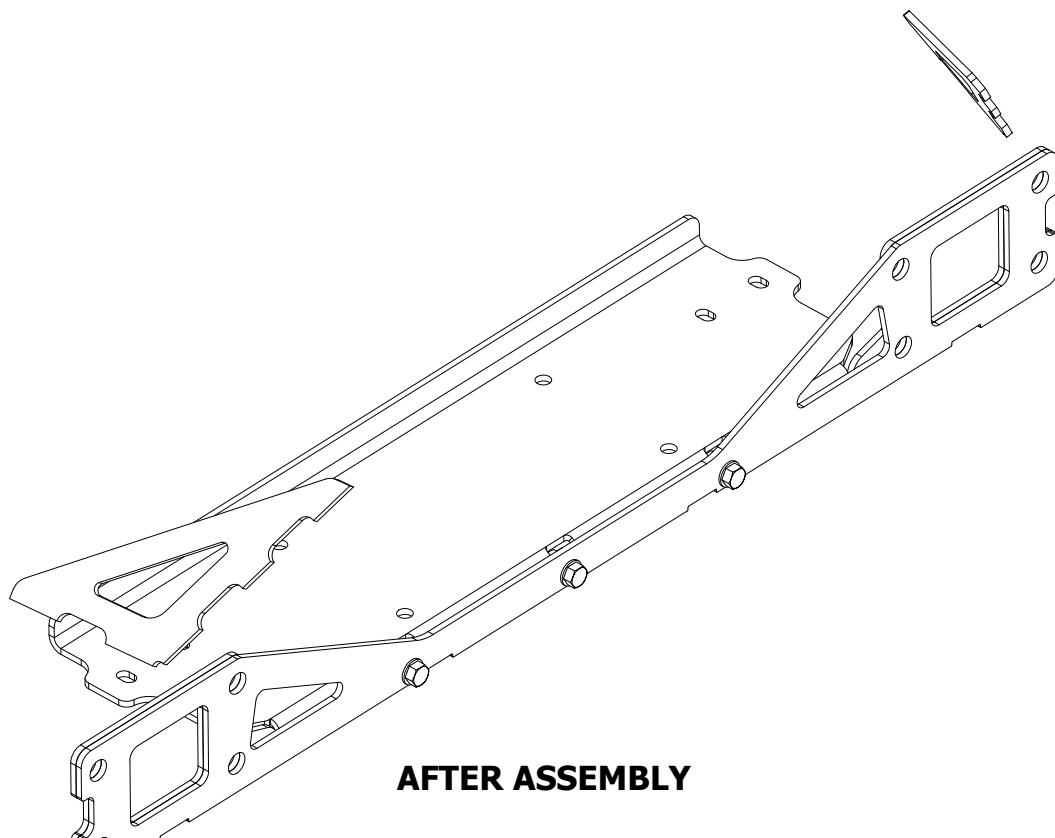
VACUUM PUMP BRACKET REMOVAL
(2012-2018 ONLY)



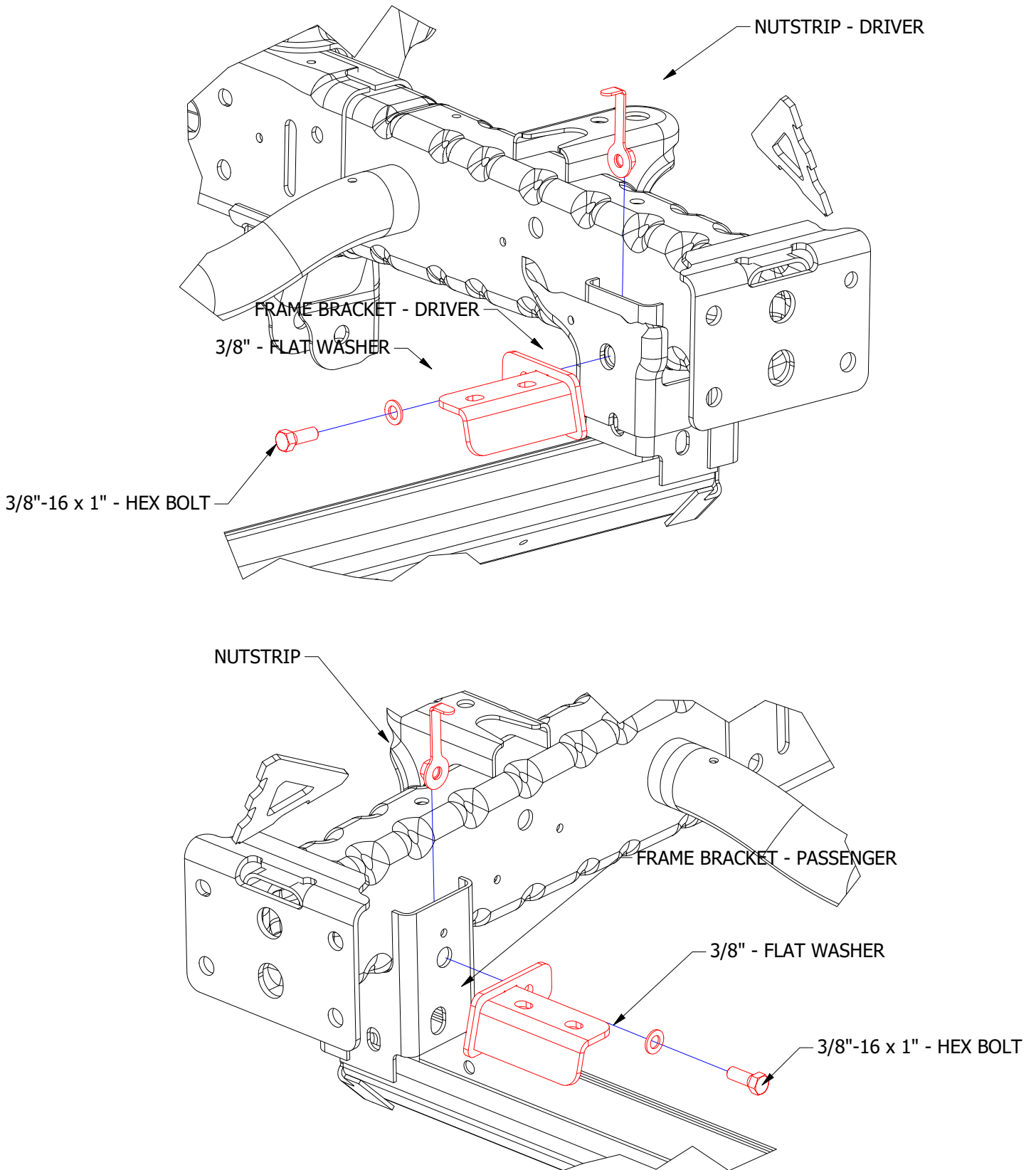
MB1209 - Assembly Instructions Crusher HD Front Bumper



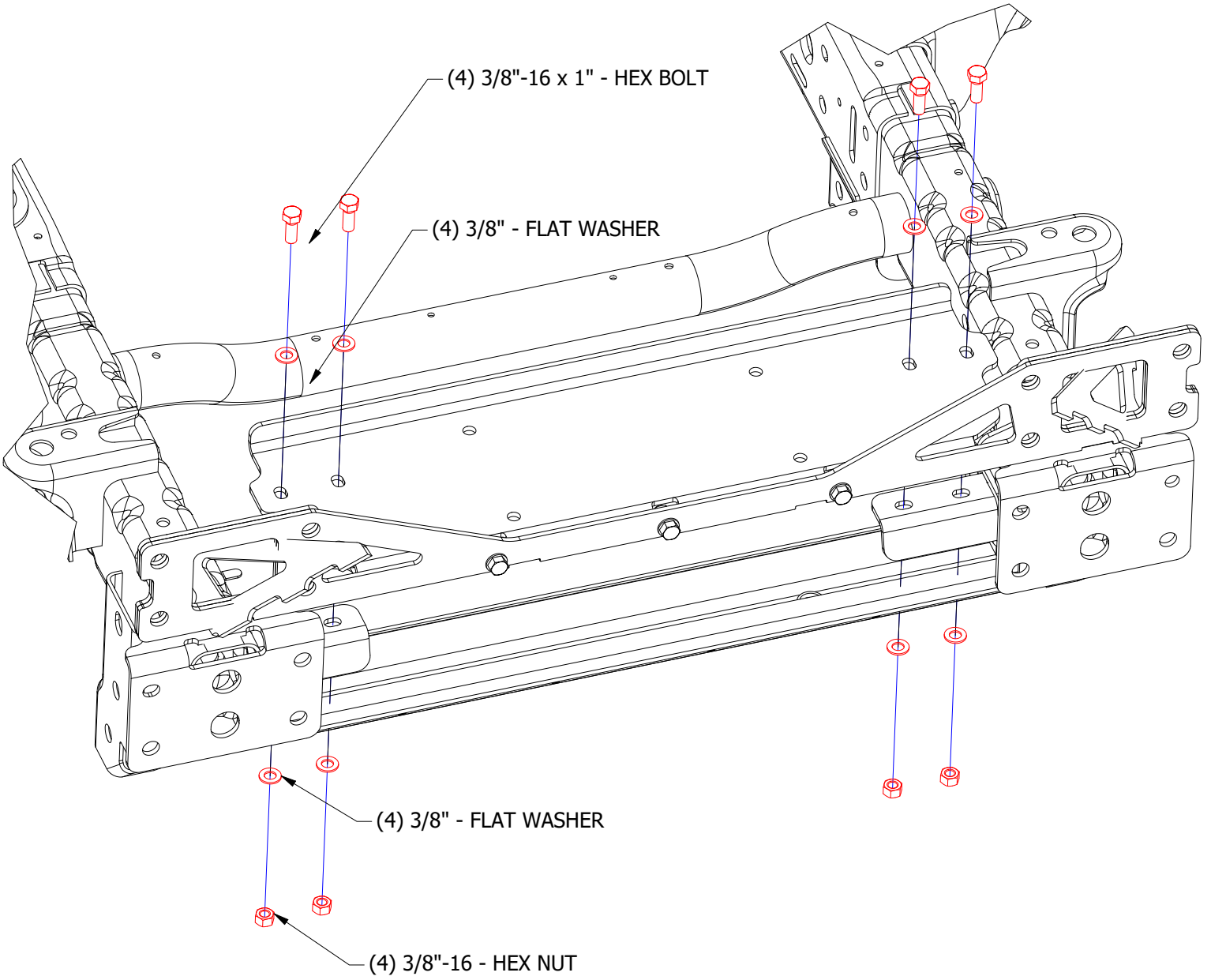
WINCH PLATE ASSEMBLY



MB1209 - Assembly Instructions Crusher HD Front Bumper

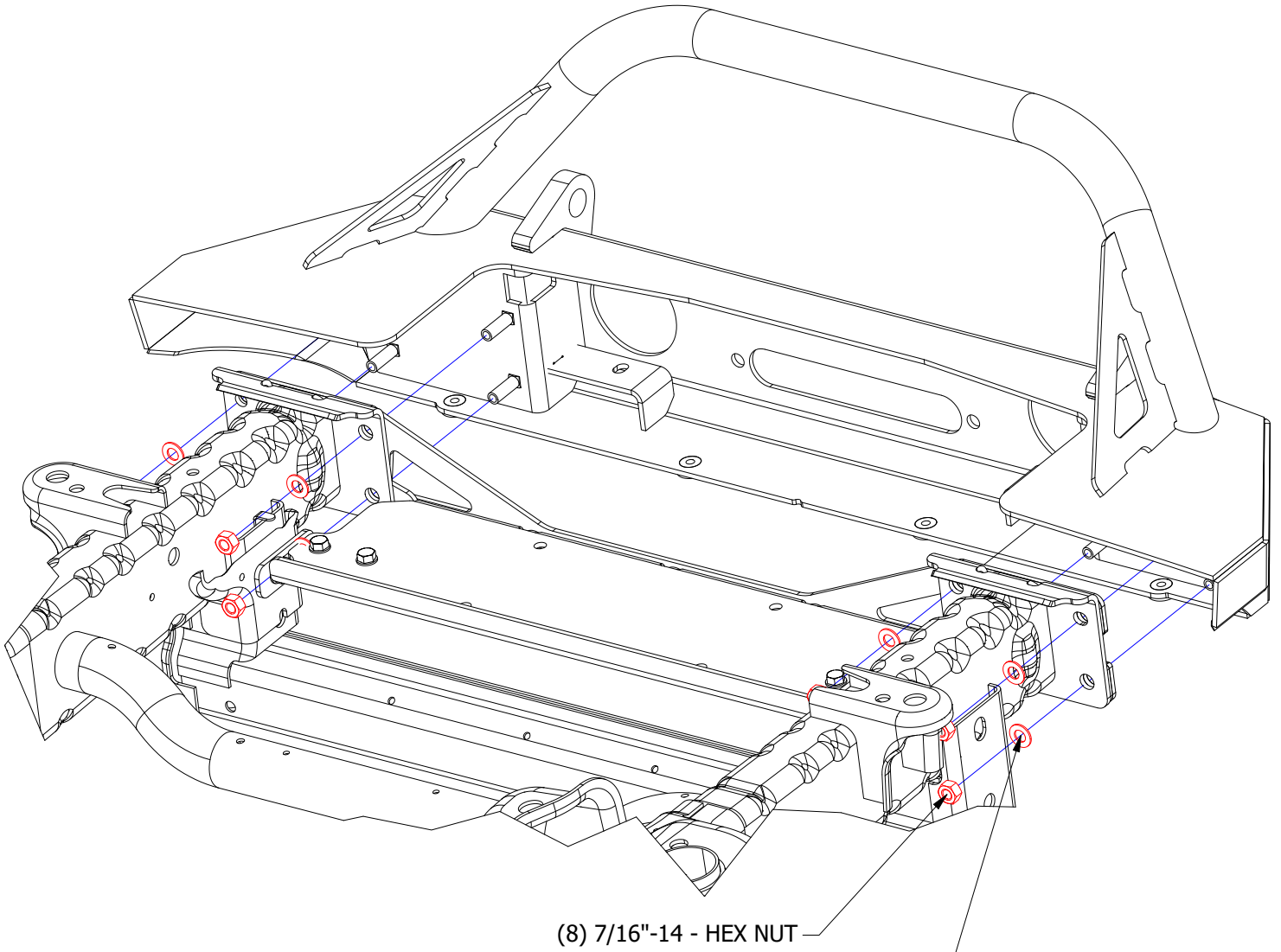


MB1209 - Assembly Instructions Crusher HD Front Bumper



WINCH PLATE INSTALLATION

MB1209 - Assembly Instructions Crusher HD Front Bumper



(8) 7/16" - FLAT WASHER

BUMPER INSTALLATION