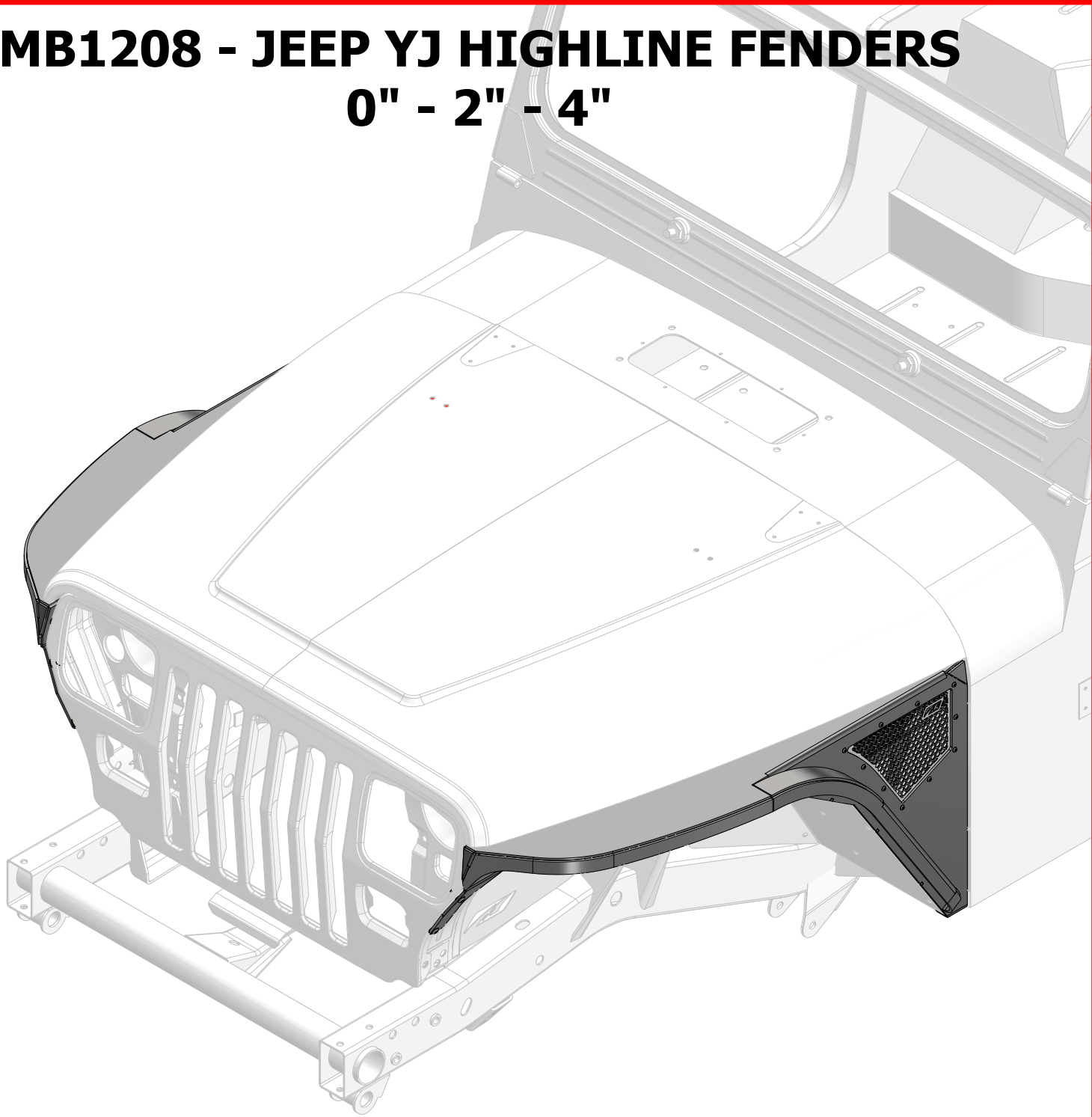


**MB1208 - Assembly Instructions Jeep YJ Highline Fenders**

**MB1208 - JEEP YJ HIGHLINE FENDERS**  
**0" - 2" - 4"**

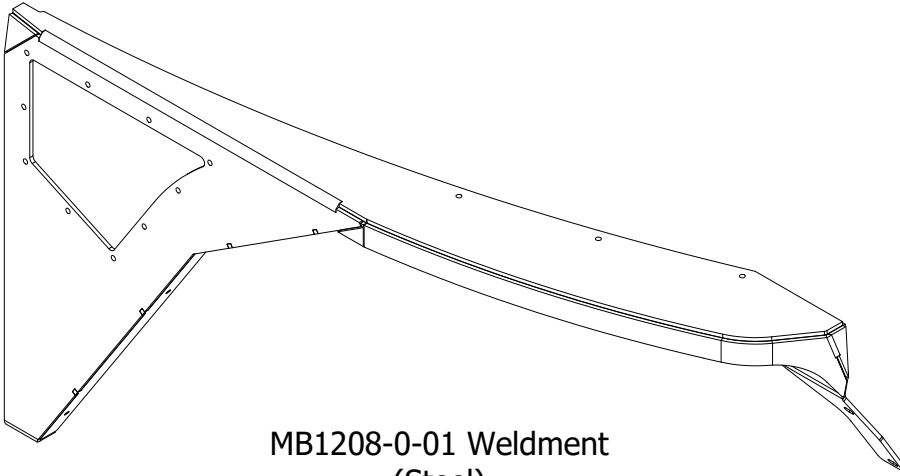


**ASSEMBLY INSTRUCTIONS**

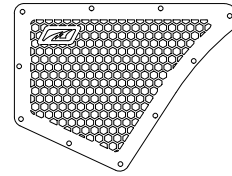
**MB1208 - Shipping Jeep YJ Highline Fenders**

**CONTENTS**

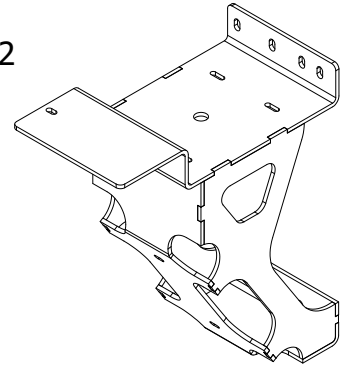
MB1208-0 0" STEEL



MB1208-0-01 Weldment  
(Steel)  
Qty 1



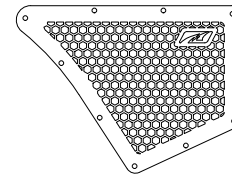
MB1208-VT-02  
Qty 1



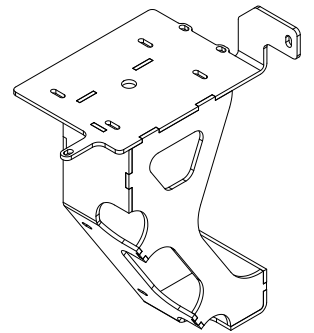
MB1208-BA-01 Weldment  
Qty 1



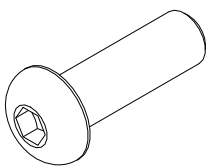
MB1208-0-02 Weldment  
(Steel)  
Qty 1



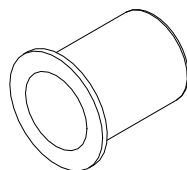
MB1208-VT-01  
Qty 1



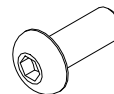
MB1208-BA-04 Weldment  
Qty 1



5/16"-18 x 1" Button Head Socket Screw  
Qty 6



Rivnut, 5/16"  
Qty 6



#10-24 x 1/2" Button Head Socket Screw  
Qty 22  
(Includes 2 Spares)



#10-24 Nylon Insert Locknut  
Qty 22  
(Includes 2 Spares)

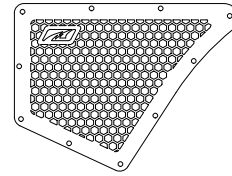
**MB1208 - Shipping Jeep YJ Highline Fenders**

**CONTENTS**

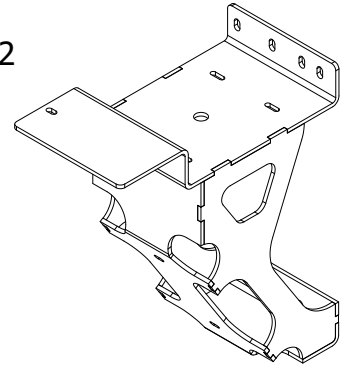
MB1208-0-A 0" ALUMINUM



MB1208-0-01-A Weldment  
(Aluminum)  
Qty 1



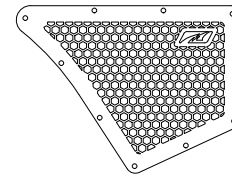
MB1208-VT-02  
Qty 1



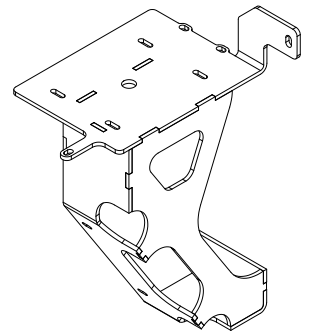
MB1208-BA-01 Weldment  
Qty 1



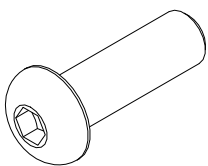
MB1208-0-02-A Weldment  
(Aluminum)  
Qty 1



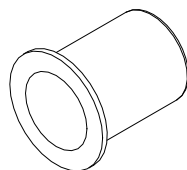
MB1208-VT-01  
Qty 1



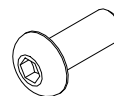
MB1208-BA-04 Weldment  
Qty 1



5/16"-18 x 1" Button Head Socket Screw  
Qty 6



Rivnut, 5/16"  
Qty 6



#10-24 x 1/2" Button Head Socket Screw  
Qty 22  
(Includes 2 Spares)

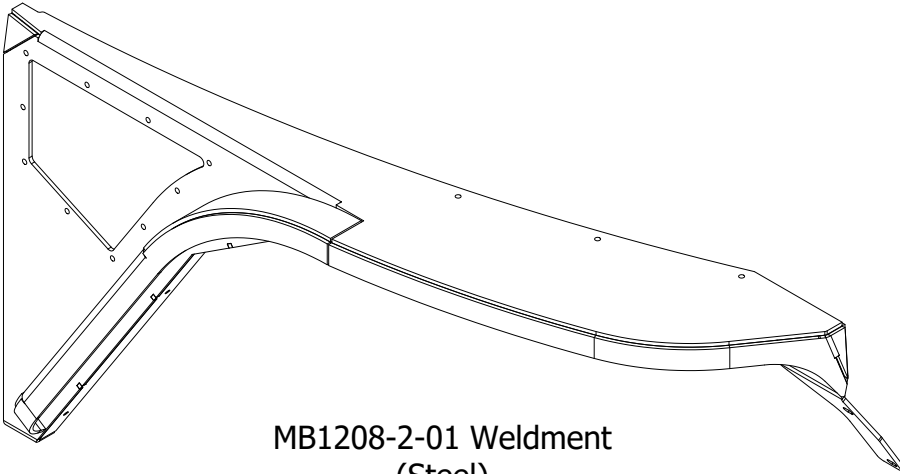


#10-24 Nylon Insert Locknut  
Qty 22  
(Includes 2 Spares)

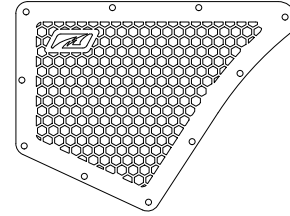
**MB1208 - Shipping Jeep YJ Highline Fenders**

**CONTENTS**

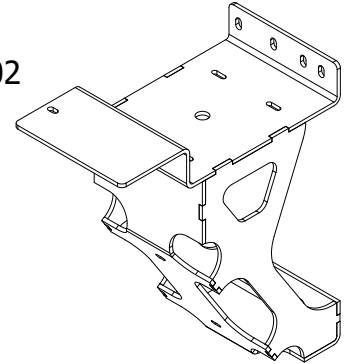
MB1208-2 2" STEEL



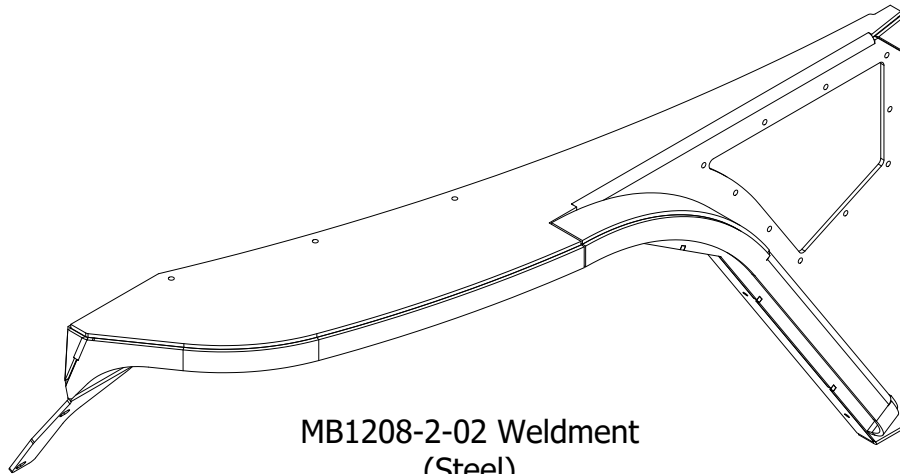
MB1208-2-01 Weldment  
(Steel)  
Qty 1



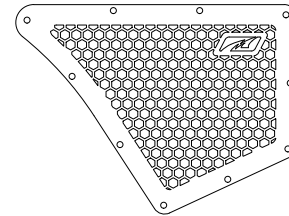
MB1208-VT-02  
Qty 1



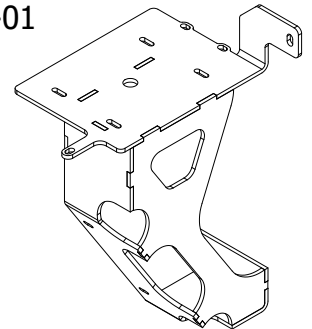
MB1208-BA-01 Weldment  
Qty 1



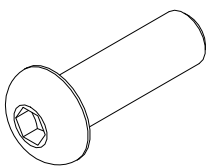
MB1208-2-02 Weldment  
(Steel)  
Qty 1



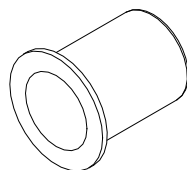
MB1208-VT-01  
Qty 1



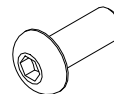
MB1208-BA-04 Weldment  
Qty 1



5/16"-18 x 1" Button Head Socket Screw  
Qty 6



Rivnut, 5/16"  
Qty 6



#10-24 x 1/2" Button Head Socket Screw  
Qty 22  
(Includes 2 Spares)

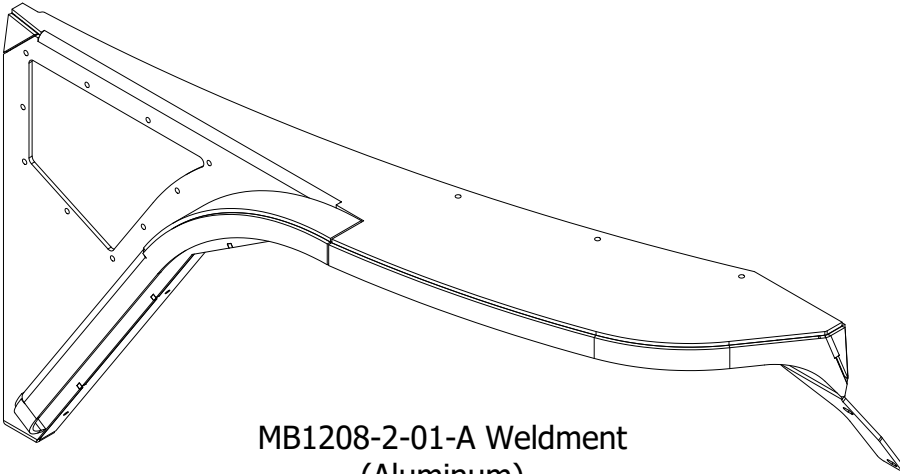


#10-24 Nylon Insert Locknut  
Qty 22  
(Includes 2 Spares)

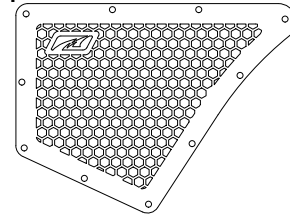
**MB1208 - Shipping Jeep YJ Highline Fenders**

**CONTENTS**

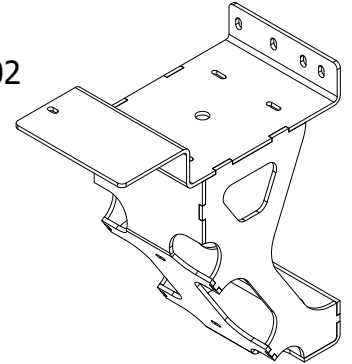
MB1208-2-A 2" ALUMINUM



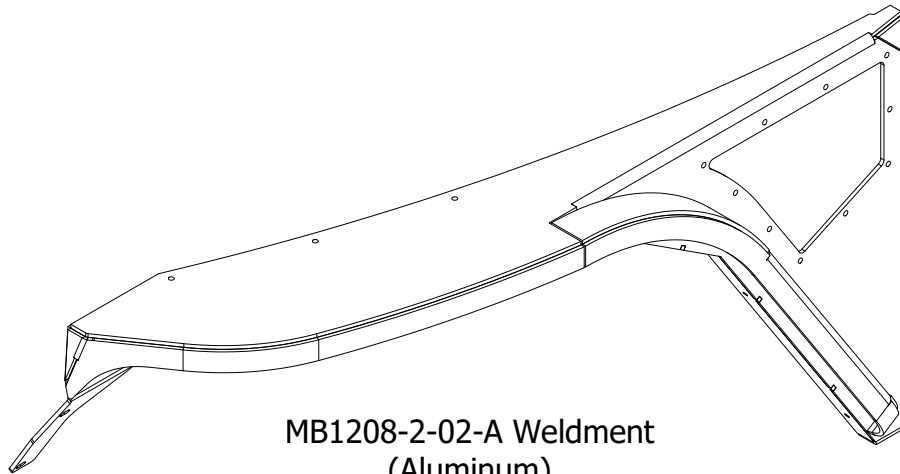
MB1208-2-01-A Weldment  
(Aluminum)  
Qty 1



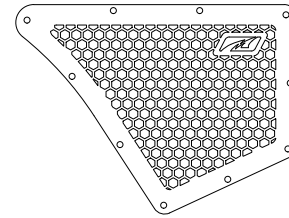
MB1208-VT-02  
Qty 1



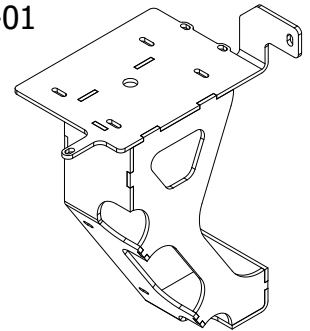
MB1208-BA-01 Weldment  
Qty 1



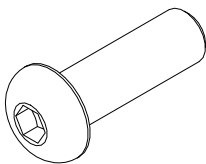
MB1208-2-02-A Weldment  
(Aluminum)  
Qty 1



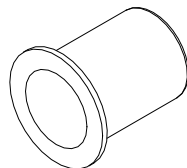
MB1208-VT-01  
Qty 1



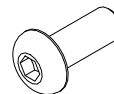
MB1208-BA-04 Weldment  
Qty 1



5/16"-18 x 1" Button Head Socket Screw  
Qty 6



Rivnut, 5/16"  
Qty 6



#10-24 x 1/2" Button Head Socket Screw  
Qty 22  
(Includes 2 Spares)

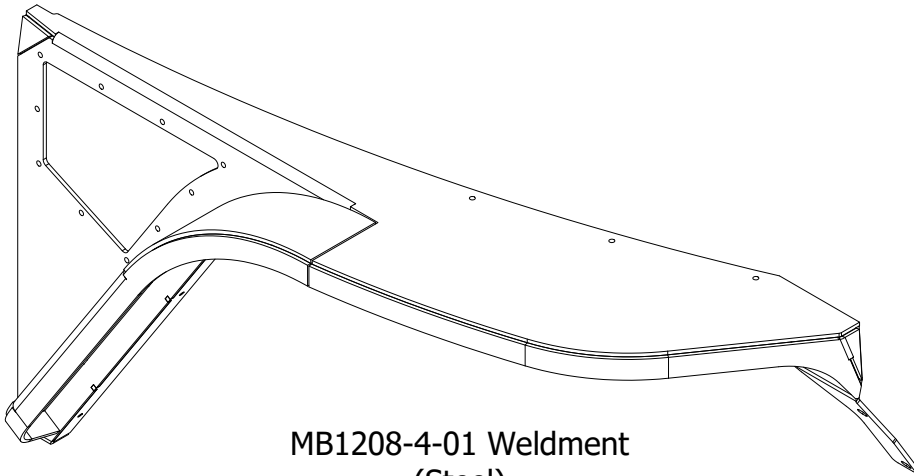


#10-24 Nylon Insert Locknut  
Qty 22  
(Includes 2 Spares)

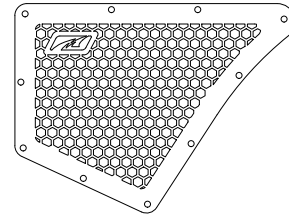
**MB1208 - Shipping Jeep YJ Highline Fenders**

**CONTENTS**

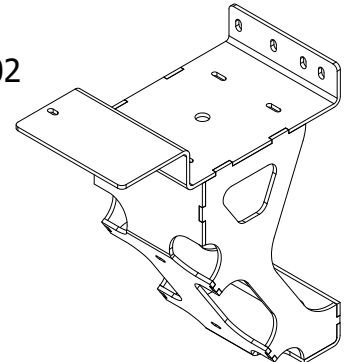
MB1208-4 4" STEEL



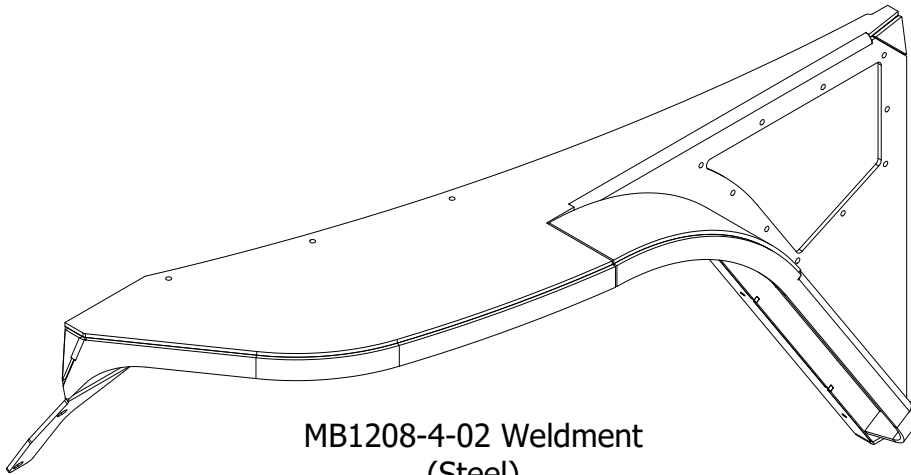
MB1208-4-01 Weldment  
(Steel)  
Qty 1



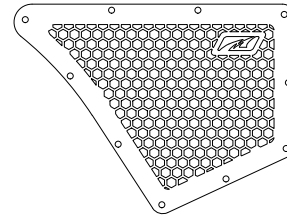
MB1208-VT-02  
Qty 1



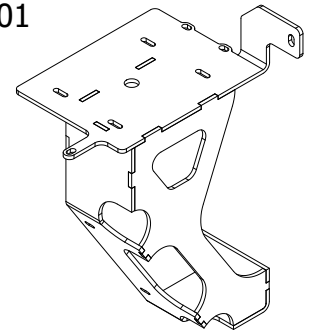
MB1208-BA-01 Weldment  
Qty 1



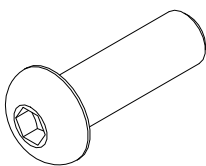
MB1208-4-02 Weldment  
(Steel)  
Qty 1



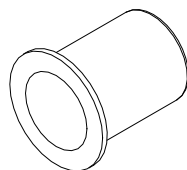
MB1208-VT-01  
Qty 1



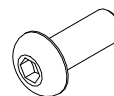
MB1208-BA-04 Weldment  
Qty 1



5/16"-18 x 1" Button Head Socket Screw  
Qty 6



Rivnut, 5/16"  
Qty 6



#10-24 x 1/2" Button Head Socket Screw  
Qty 22  
(Includes 2 Spares)

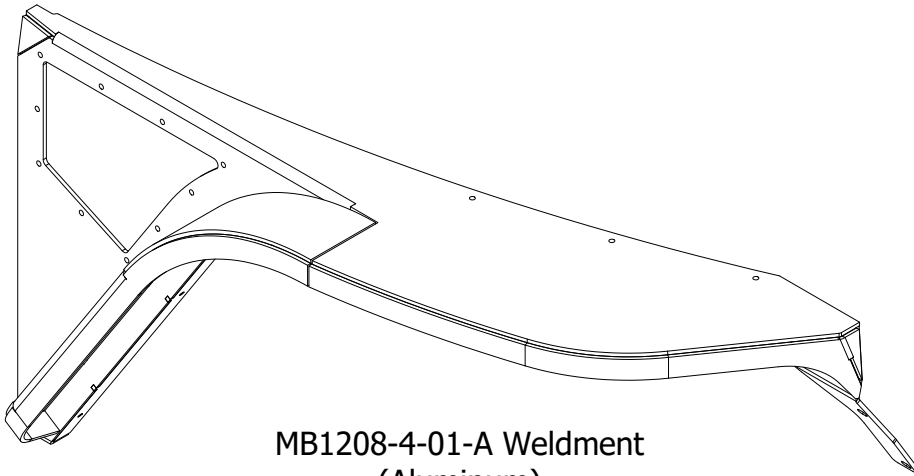


#10-24 Nylon Insert Locknut  
Qty 22  
(Includes 2 Spares)

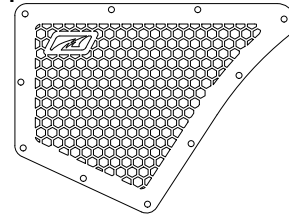
**MB1208 - Shipping Jeep YJ Highline Fenders**

**CONTENTS**

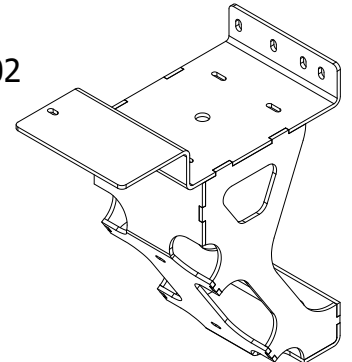
MB1208-4-A 4" ALUMINUM



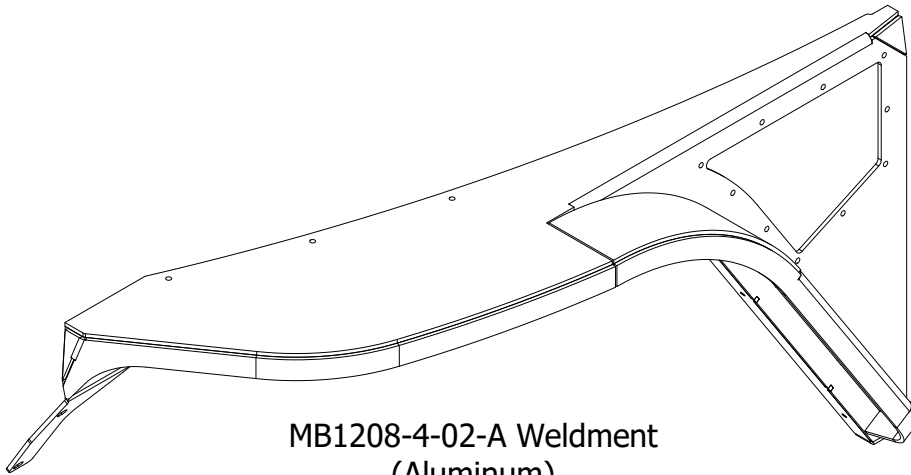
MB1208-4-01-A Weldment  
(Aluminum)  
Qty 1



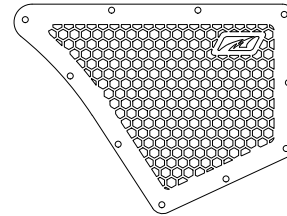
MB1208-VT-02  
Qty 1



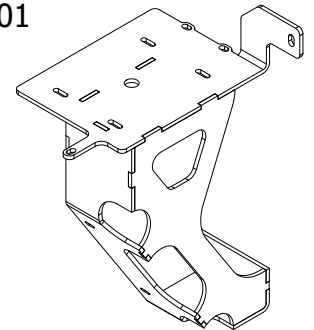
MB1208-BA-01 Weldment  
Qty 1



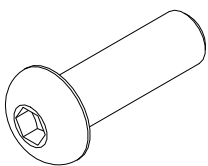
MB1208-4-02-A Weldment  
(Aluminum)  
Qty 1



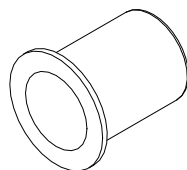
MB1208-VT-01  
Qty 1



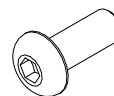
MB1208-BA-04 Weldment  
Qty 1



5/16"-18 x 1" Button Head Socket Screw  
Qty 6



Rivnut, 5/16"  
Qty 6



#10-24 x 1/2" Button Head Socket Screw  
Qty 22  
(Includes 2 Spares)

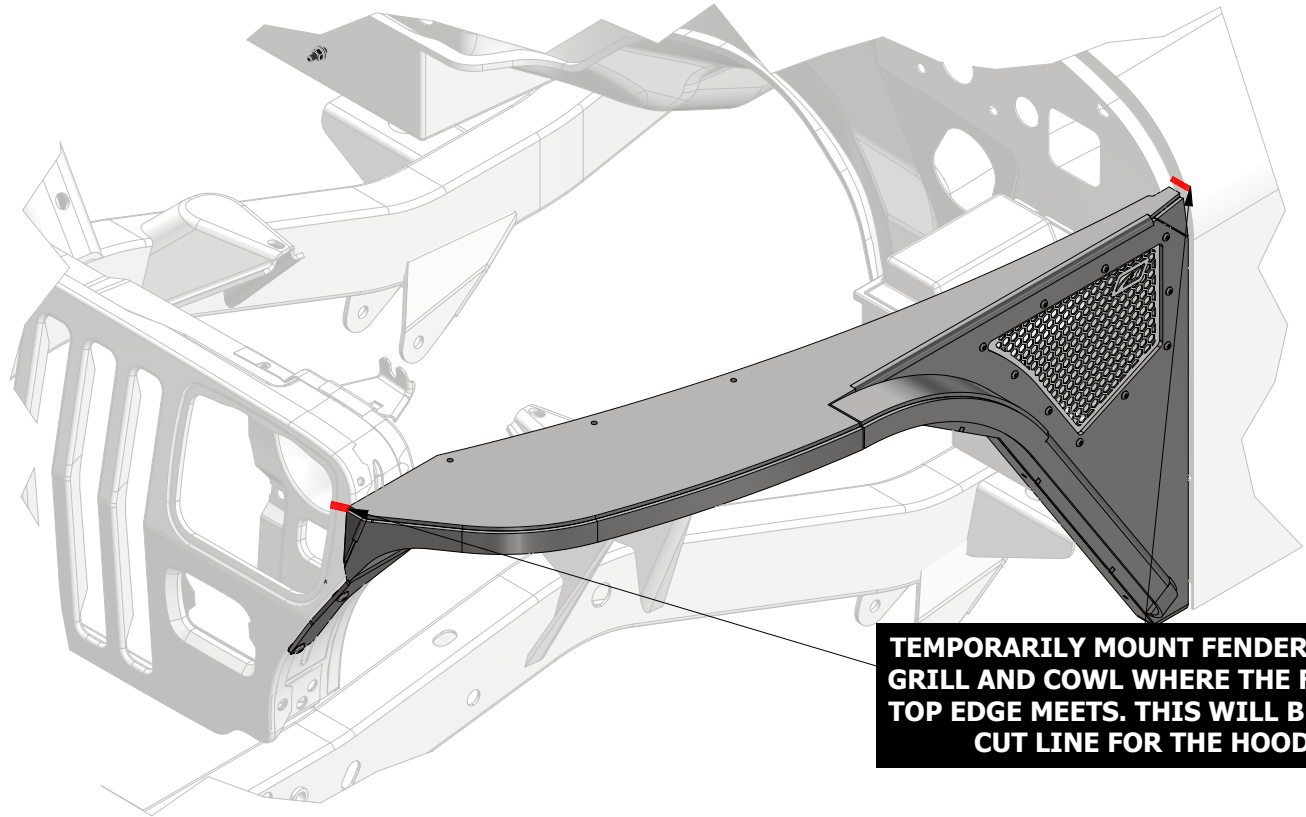


#10-24 Nylon Insert Locknut  
Qty 22  
(Includes 2 Spares)

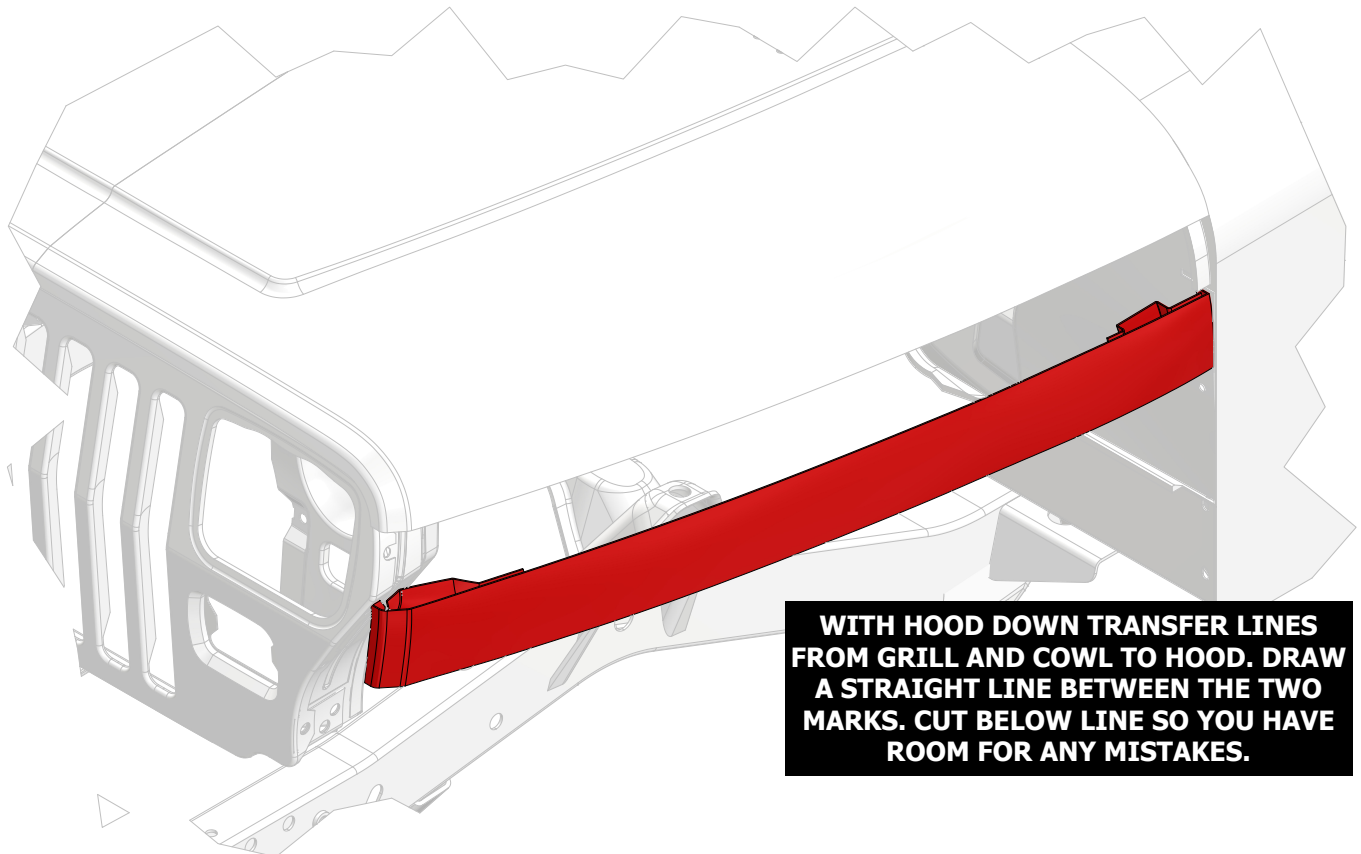
**MB1208 - Assembly Instructions Jeep YJ Highline Fenders**

**ASSEMBLY - STEP 01**

TRIM HOOD



**TEMPORARILY MOUNT FENDER, MARK GRILL AND COWL WHERE THE FENDER TOP EDGE MEETS. THIS WILL BE YOUR CUT LINE FOR THE HOOD.**



**WITH HOOD DOWN TRANSFER LINES FROM GRILL AND COWL TO HOOD. DRAW A STRAIGHT LINE BETWEEN THE TWO MARKS. CUT BELOW LINE SO YOU HAVE ROOM FOR ANY MISTAKES.**



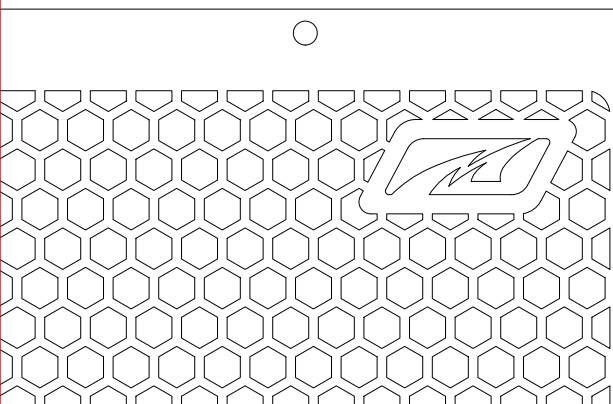
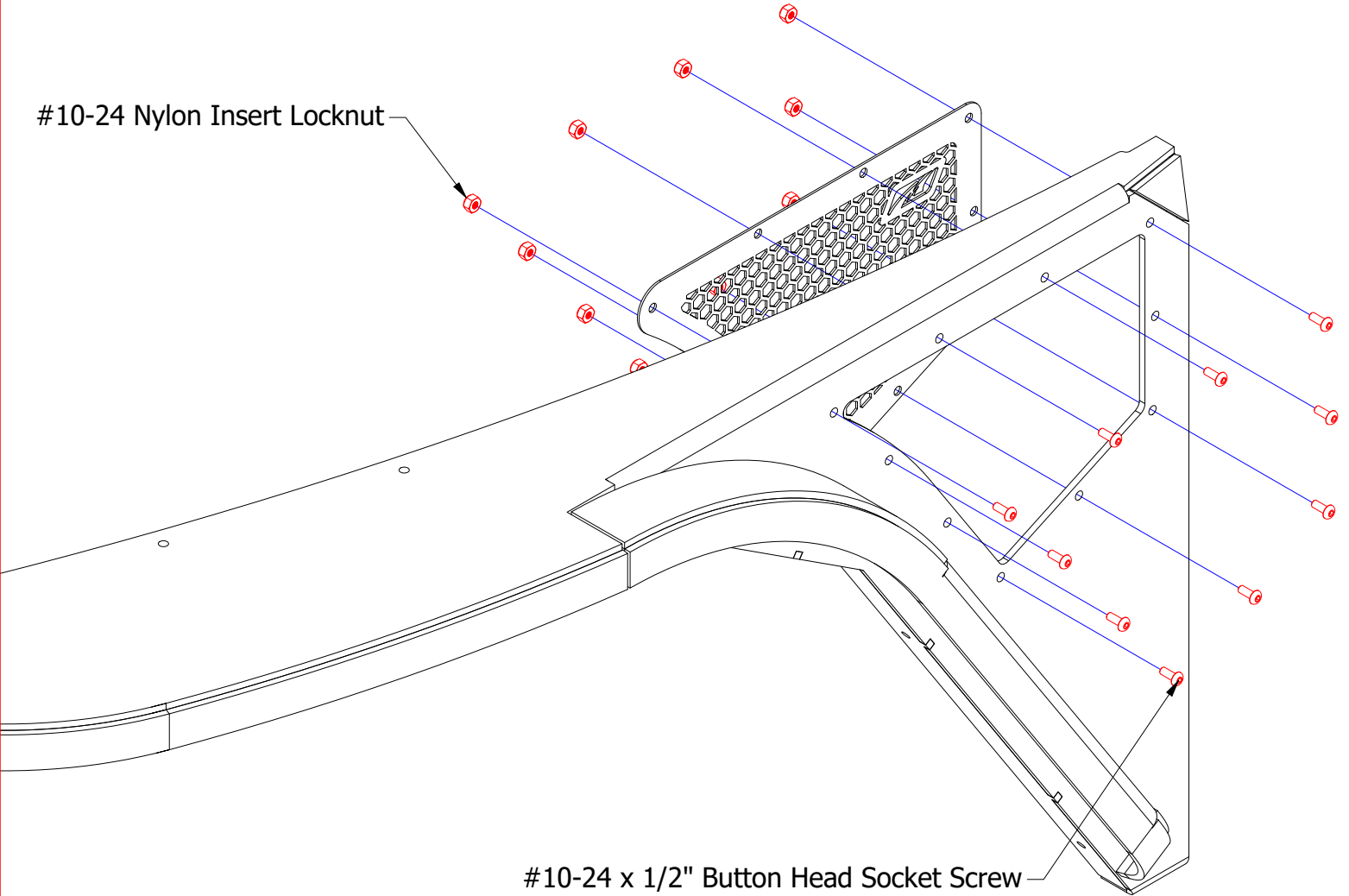
**MB1208 - Assembly Instructions Jeep YJ Highline Fenders**

**ASSEMBLY - STEP 02**

VENT INSTALLATION

#10-24 Nylon Insert Locknut

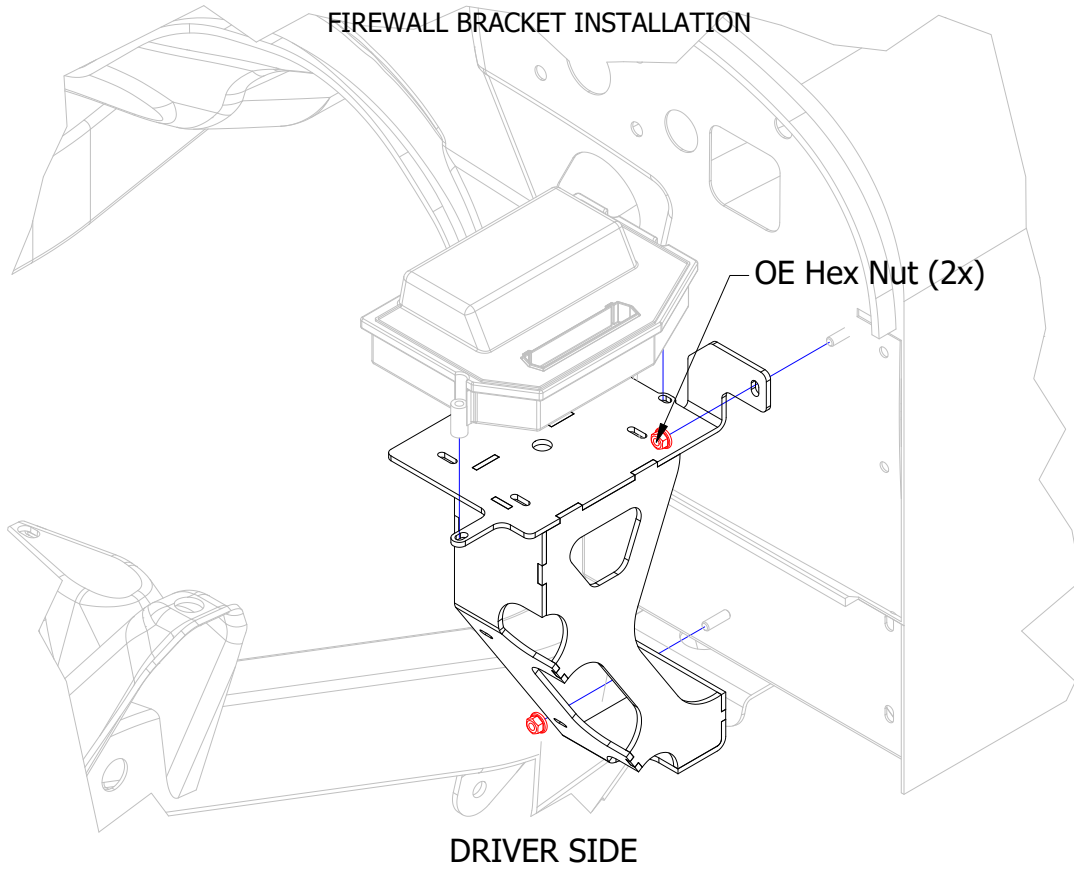
#10-24 x 1/2" Button Head Socket Screw



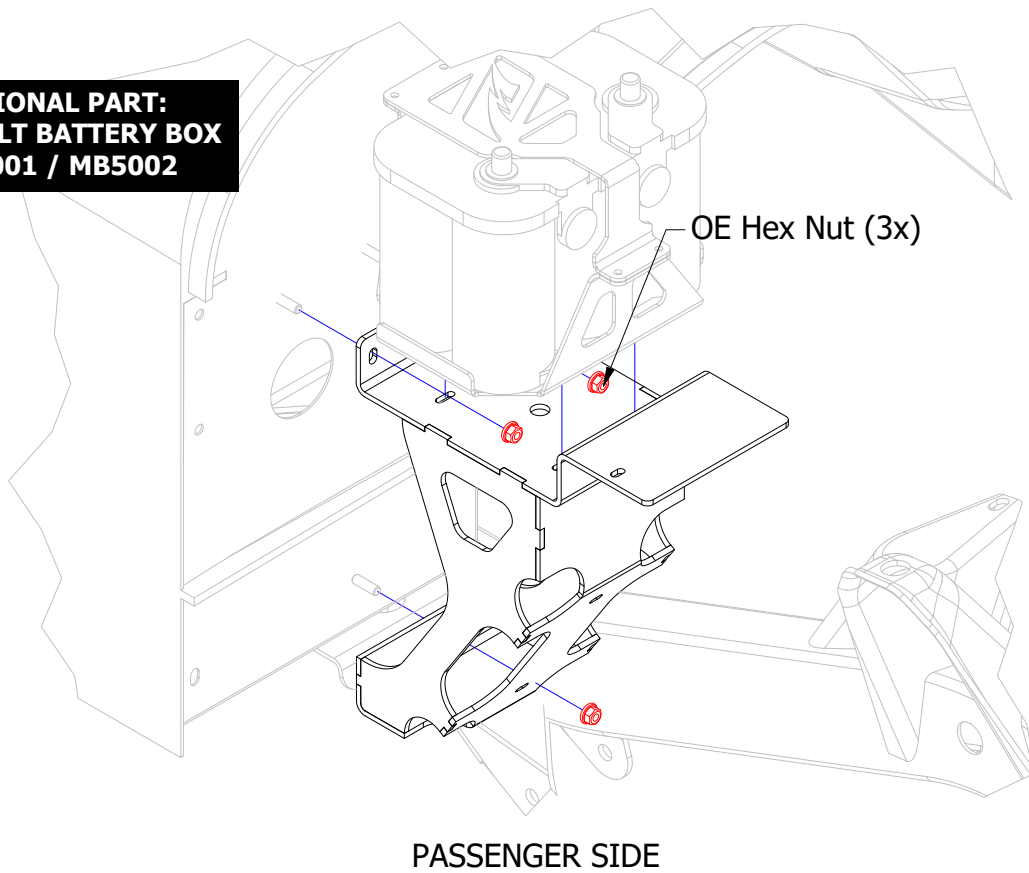
**NOTE: VENT PANELS CAN BE MOUNTED ON EITHER SIDE. M LOGO SHOULD APPEAR AS SHOWN.**

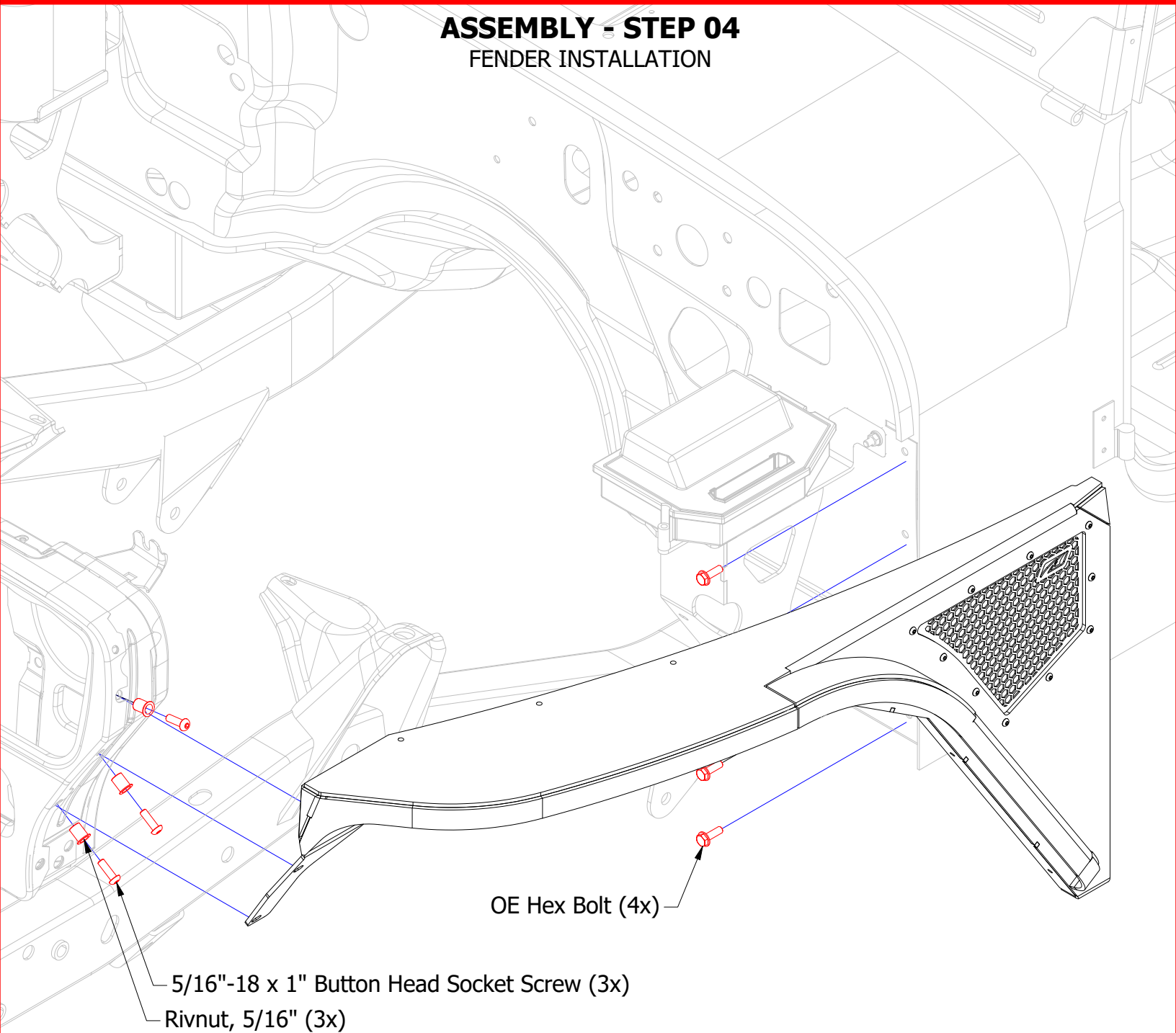
**MB1208 - Assembly Instructions Jeep YJ Highline Fenders**

**ASSEMBLY - STEP 02**  
FIREWALL BRACKET INSTALLATION



**OPTIONAL PART:  
MOTOBILT BATTERY BOX  
MB5001 / MB5002**



**MB1208 - Assembly Instructions Jeep YJ Highline Fenders****ASSEMBLY - STEP 04**  
FENDER INSTALLATION

**NOTE: GRILL OE NUTS ARE SPOT WELDED TO GRILL. RIVNUTS ARE SUPPLIED TO REPLACE OE NUTS IF SPOT WELDS BREAK**