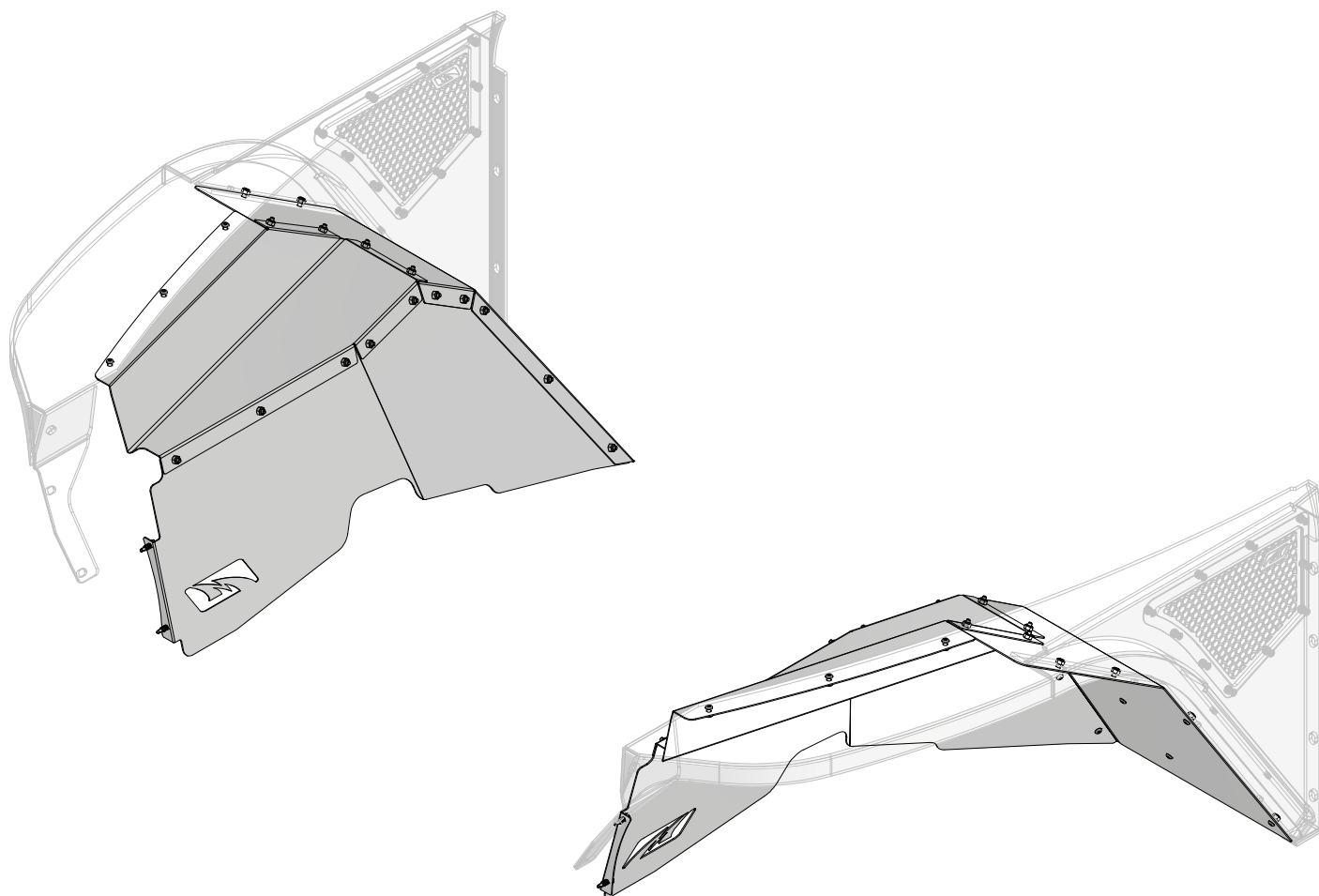
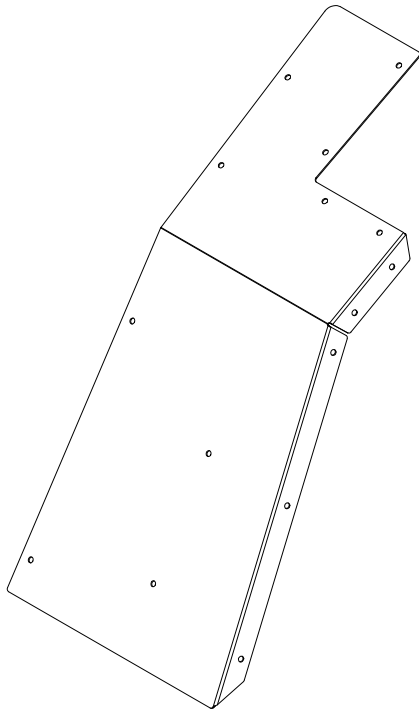


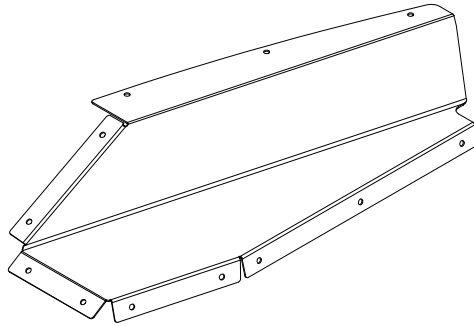
**MB1208-IF - Assembly Instructions Jeep YJ Highline Inner Fenders****MB1208-IF - JEEP YJ HIGHLINE  
INNER FENDERS****ASSEMBLY INSTRUCTIONS**

**MB1208-IF - Shipping Jeep YJ Highline Inner Fenders**

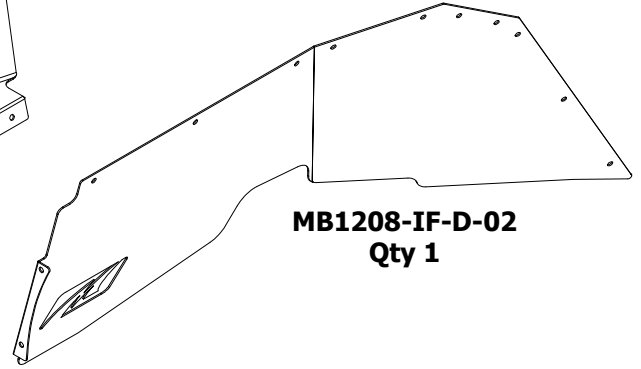
**CONTENTS**



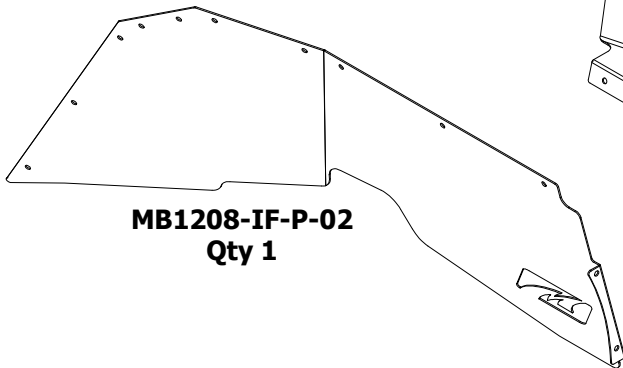
**MB1208-IF-D-03**  
Qty 1



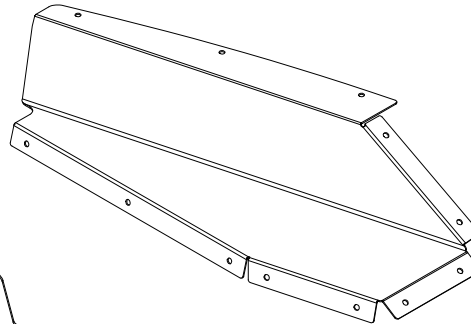
**MB1208-IF-D-01**  
Qty 1



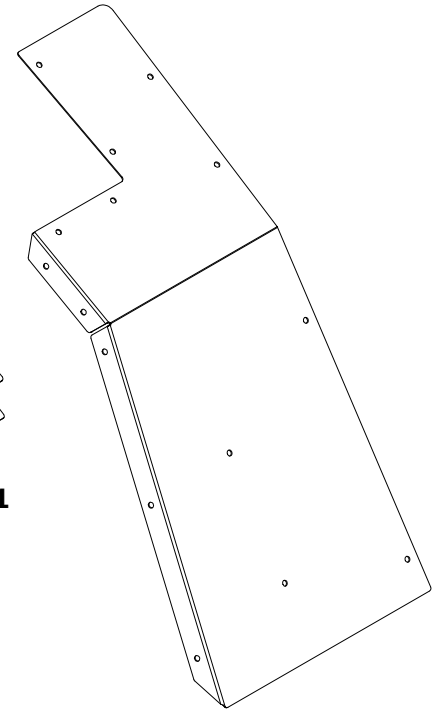
**MB1208-IF-D-02**  
Qty 1



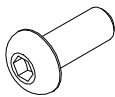
**MB1208-IF-P-02**  
Qty 1



**MB1208-IF-P-01**  
Qty 1



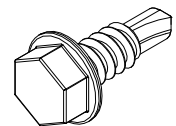
**MB1208-IF-P-03**  
Qty 1



**#10-24 x 1/2" Button Head Socket Screw**  
Qty 48  
(Includes 2 Spare)



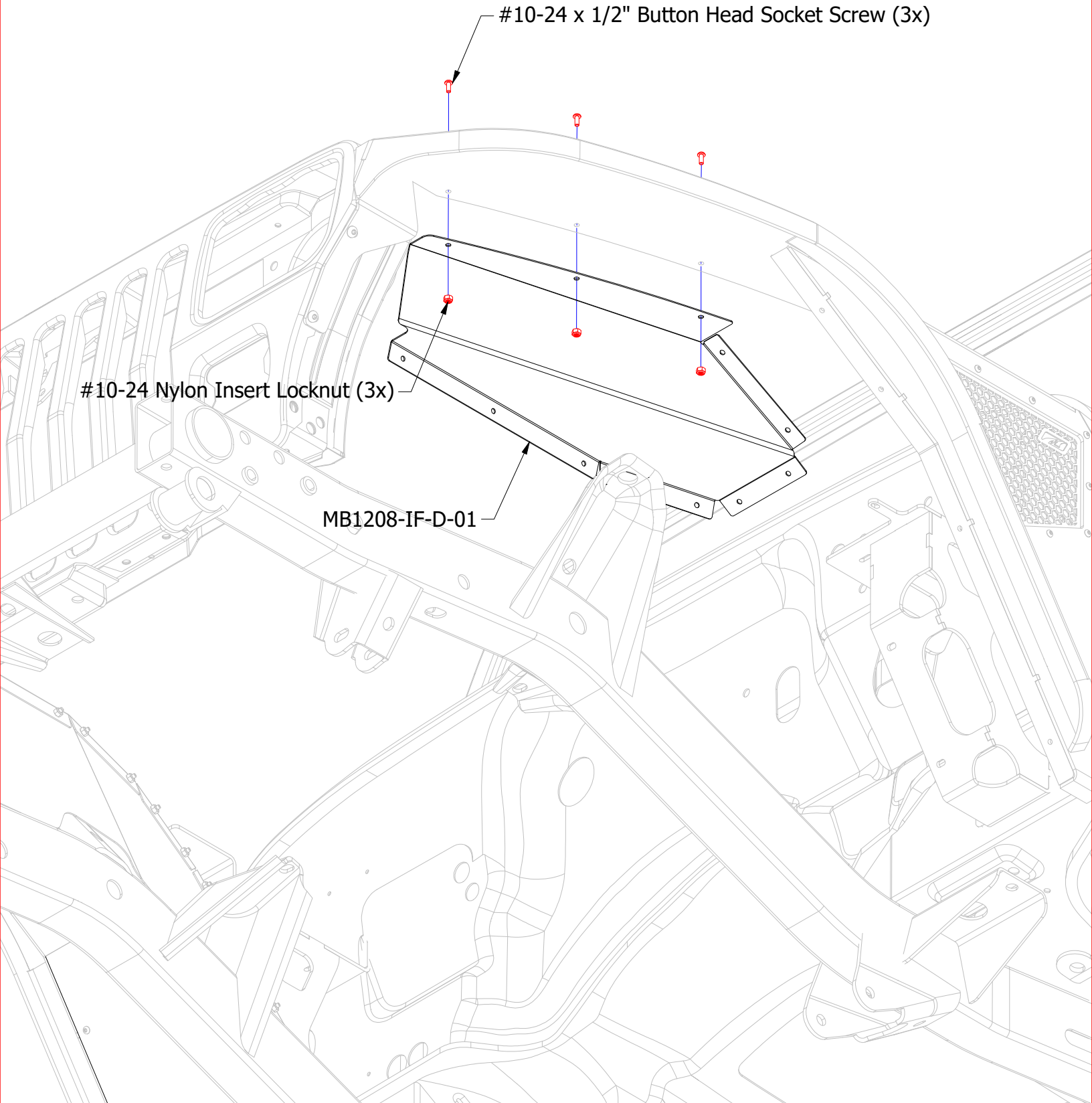
**#10-24 Nylon Insert Locknut**  
Qty 48  
(Includes 2 Spare)



**1/4" x .75" Self Tapping Screw**  
Qty 4

**MB1208-IF - Assembly Instructions Jeep YJ Highline Inner Fenders**

**ASSEMBLY - STEP 01**



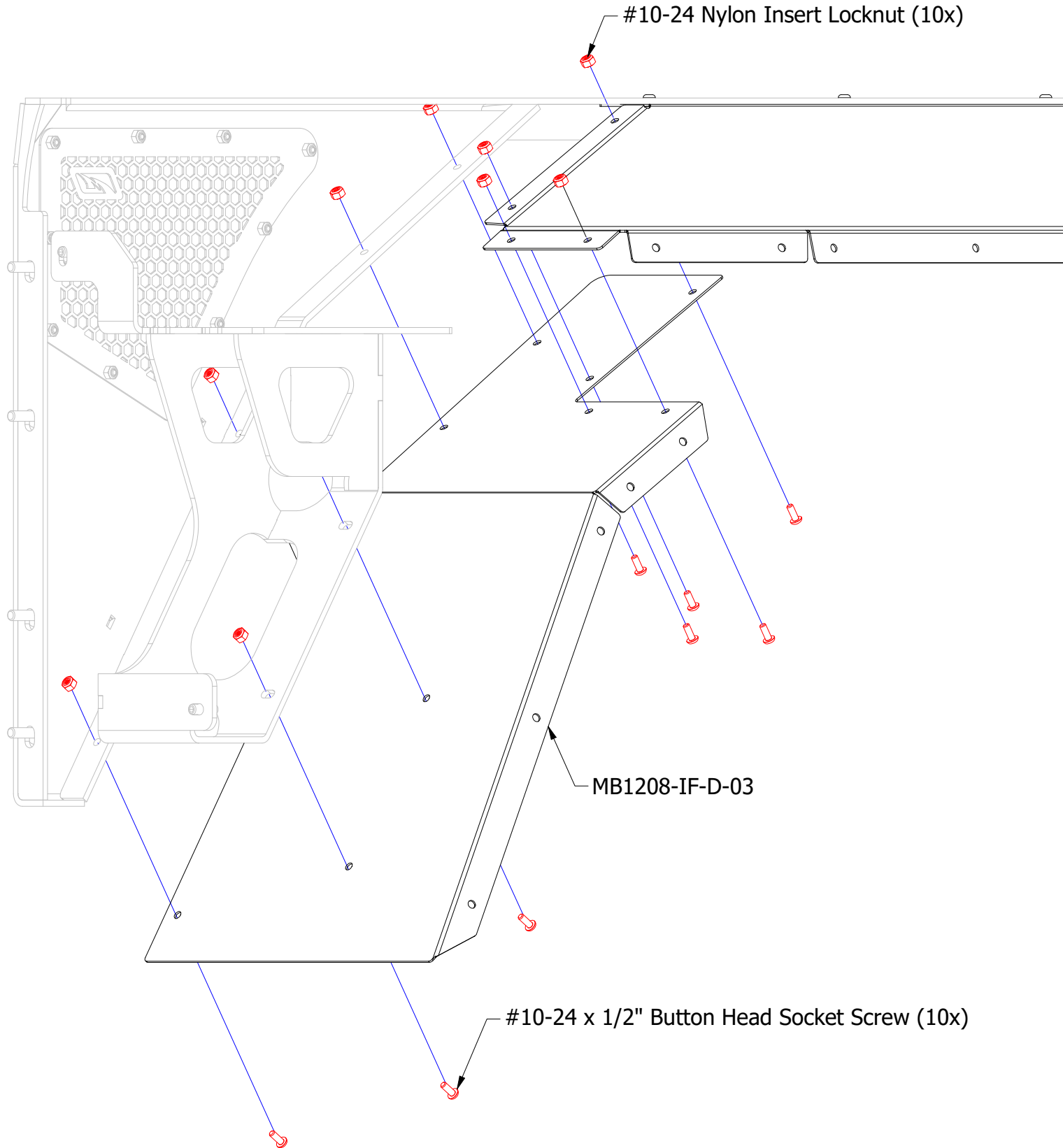
#10-24 x 1/2" Button Head Socket Screw (3x)

#10-24 Nylon Insert Locknut (3x)

MB1208-IF-D-01

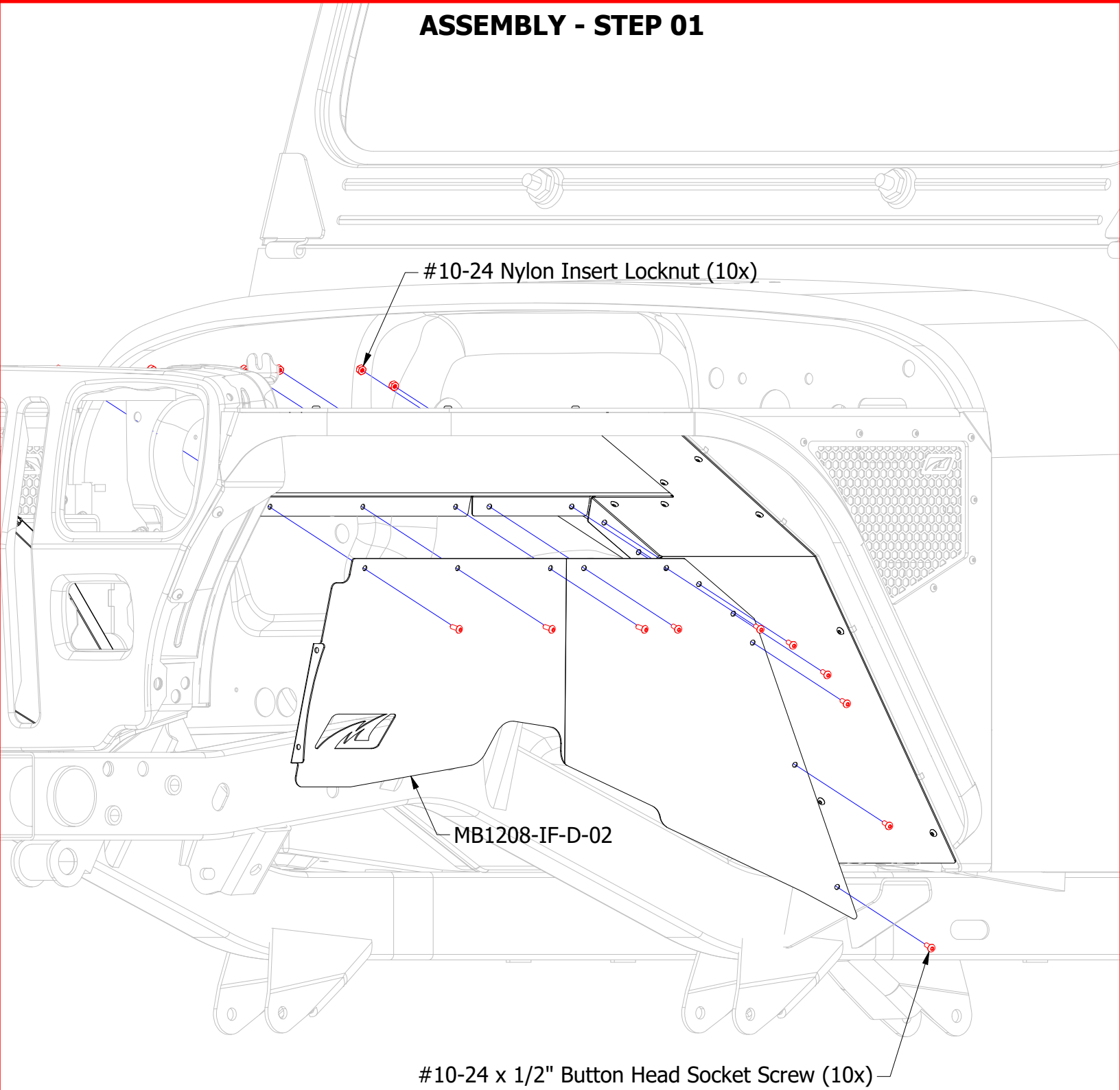
**MB1208-IF - Assembly Instructions Jeep YJ Highline Inner Fenders**

**ASSEMBLY - STEP 02**



**MB1208-IF - Assembly Instructions Jeep YJ Highline Inner Fenders**

**ASSEMBLY - STEP 01**



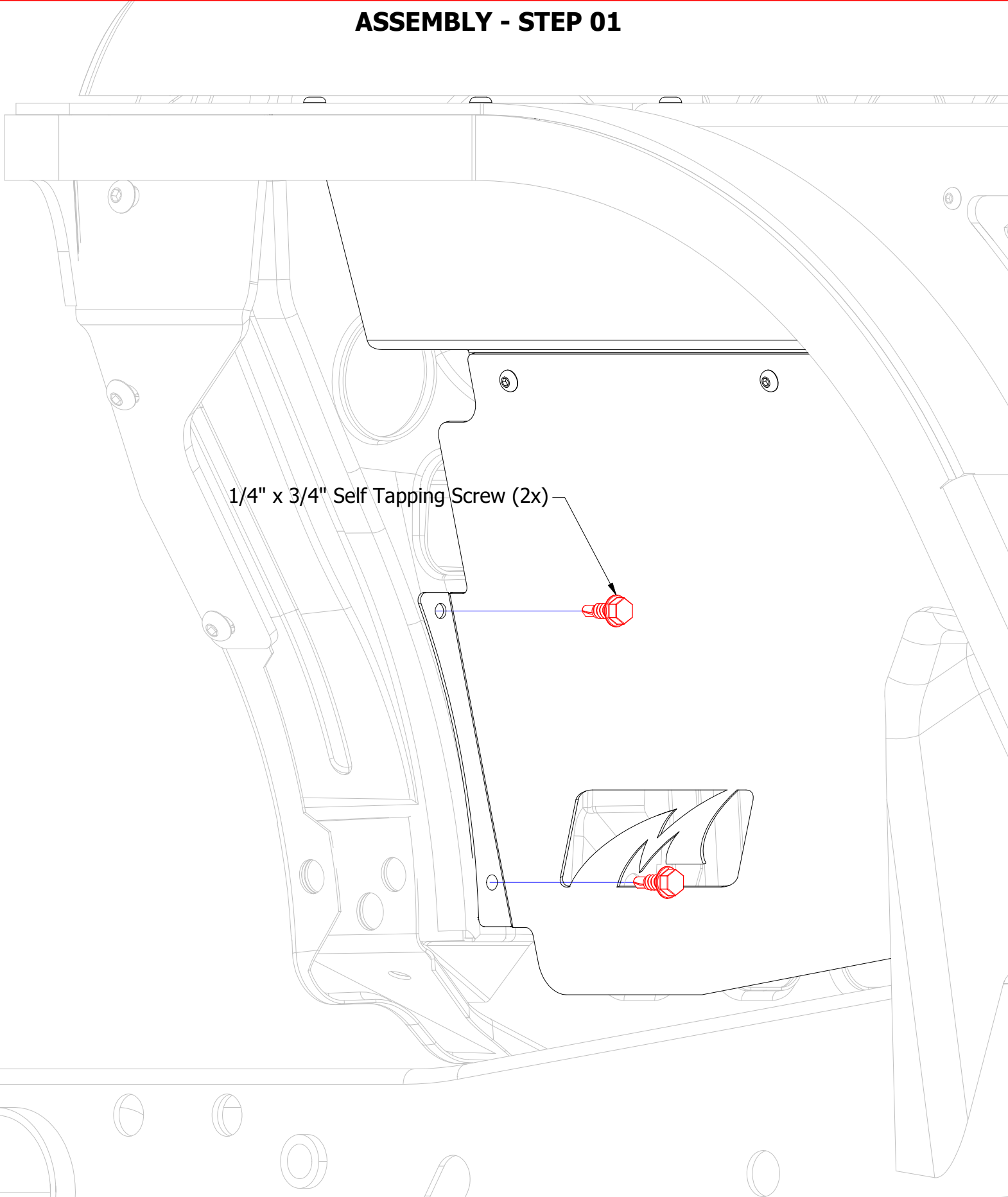
#10-24 Nylon Insert Locknut (10x)

MB1208-IF-D-02

#10-24 x 1/2" Button Head Socket Screw (10x)

**MB1208-IF - Assembly Instructions Jeep YJ Highline Inner Fenders**

**ASSEMBLY - STEP 01**



1/4" x 3/4" Self Tapping Screw (2x)