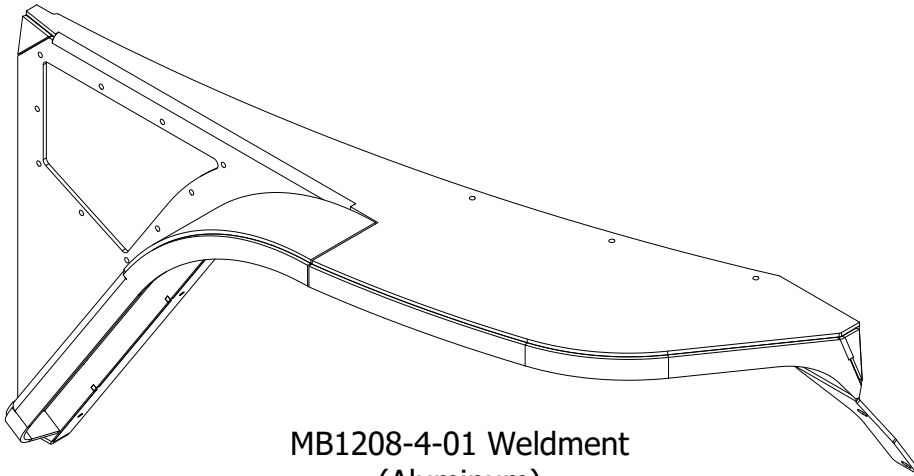


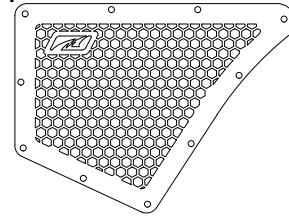
**MB1208 - Assembly Instructions Jeep YJ Highline Fenders**

**CONTENTS**

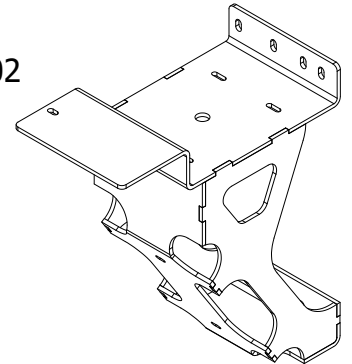
MB1208-4-A 4" ALUMINUM



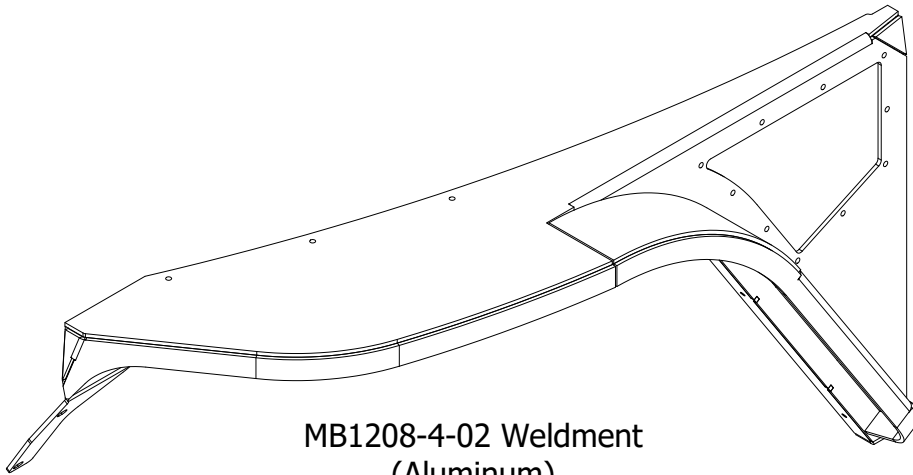
**MB1208-4-01 Weldment  
(Aluminum)  
Qty 1**



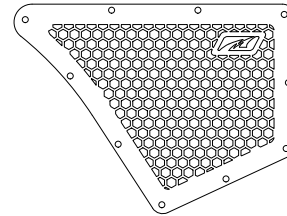
**MB1208-VT-02  
Qty 1**



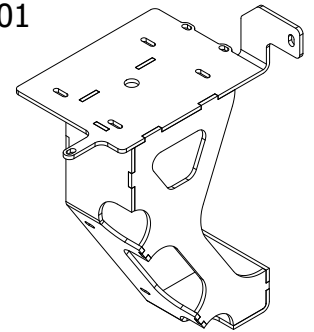
**MB1208-BA-01 Weldment  
Qty 1**



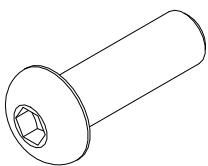
**MB1208-4-02 Weldment  
(Aluminum)  
Qty 1**



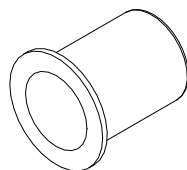
**MB1208-VT-01  
Qty 1**



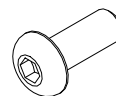
**MB1208-BA-04 Weldment  
Qty 1**



**5/16"-18 x 1" Button Head Socket Screw  
Qty 6**



**Rivnut, 5/16"  
Qty 6**



**#10-24 x 1/2" Button Head Socket Screw  
Qty 22  
(Includes 2 Spares)**



**#10-24 Nylon Insert Locknut  
Qty 22  
(Includes 2 Spares)**