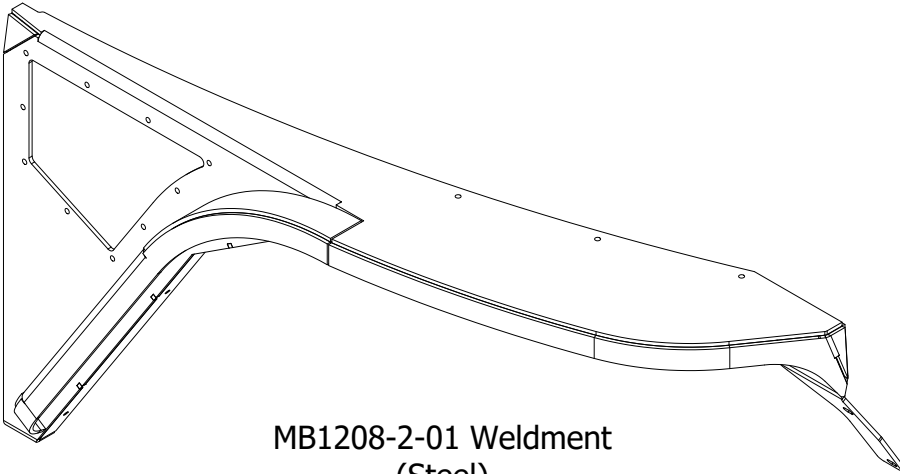


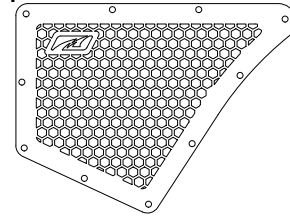
**MB1208 - Assembly Instructions Jeep YJ Highline Fenders**

**CONTENTS**

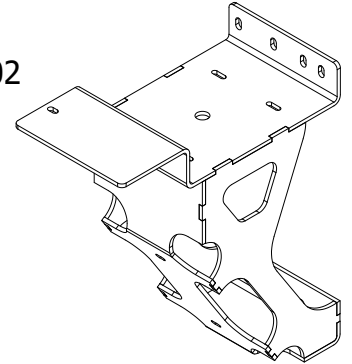
MB1208-2-A 2" ALUMINUM



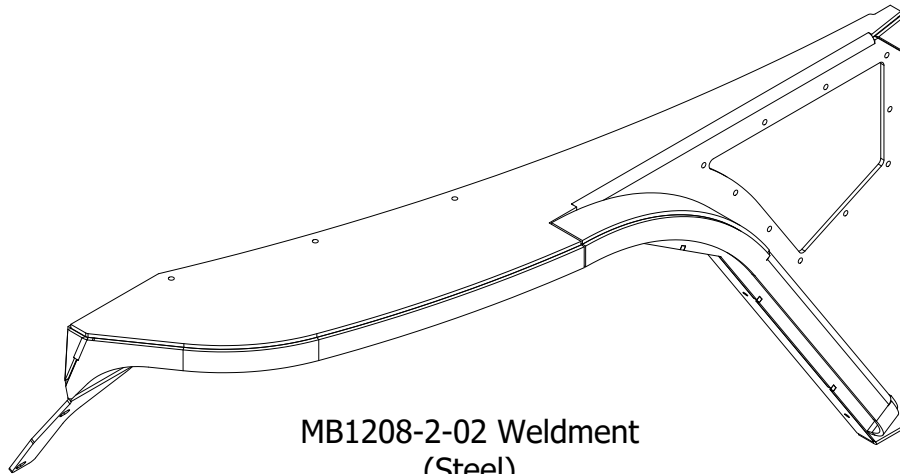
MB1208-2-01 Weldment  
(Steel)  
Qty 1



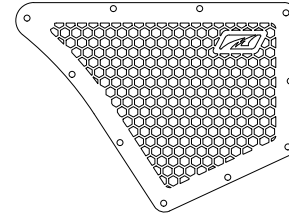
MB1208-VT-02  
Qty 1



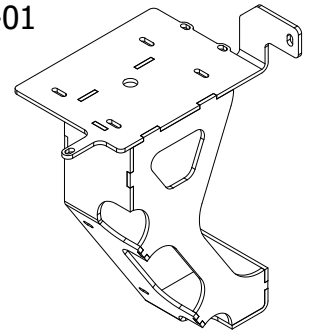
MB1208-BA-01 Weldment  
Qty 1



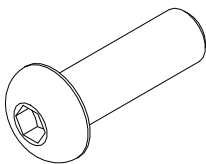
MB1208-2-02 Weldment  
(Steel)  
Qty 1



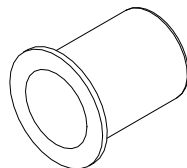
MB1208-VT-01  
Qty 1



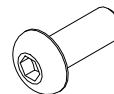
MB1208-BA-04 Weldment  
Qty 1



5/16"-18 x 1" Button Head Socket Screw  
Qty 6



Rivnut, 5/16"  
Qty 6



#10-24 x 1/2" Button Head Socket Screw  
Qty 22  
(Includes 2 Spares)



#10-24 Nylon Insert Locknut  
Qty 22  
(Includes 2 Spares)