

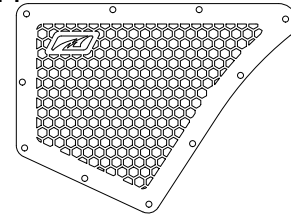
MB1208 - Assembly Instructions Jeep YJ Highline Fenders

CONTENTS

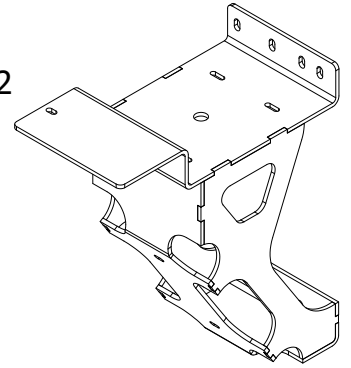
MB1208-0-A 0" ALUMINUM



MB1208-0-01 Weldment
(Aluminum)
Qty 1



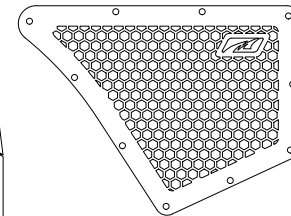
MB1208-VT-02
Qty 1



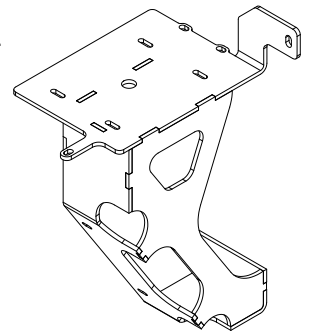
MB1208-BA-01 Weldment
Qty 1



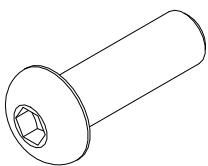
MB1208-0-02 Weldment
(Aluminum)
Qty 1



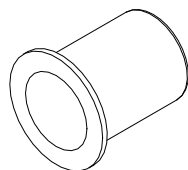
MB1208-VT-01
Qty 1



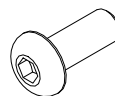
MB1208-BA-04 Weldment
Qty 1



5/16"-18 x 1" Button Head Socket Screw
Qty 6



Rivnut, 5/16"
Qty 6



#10-24 x 1/2" Button Head Socket Screw
Qty 22
(Includes 2 Spares)



#10-24 Nylon Insert Locknut
Qty 22
(Includes 2 Spares)