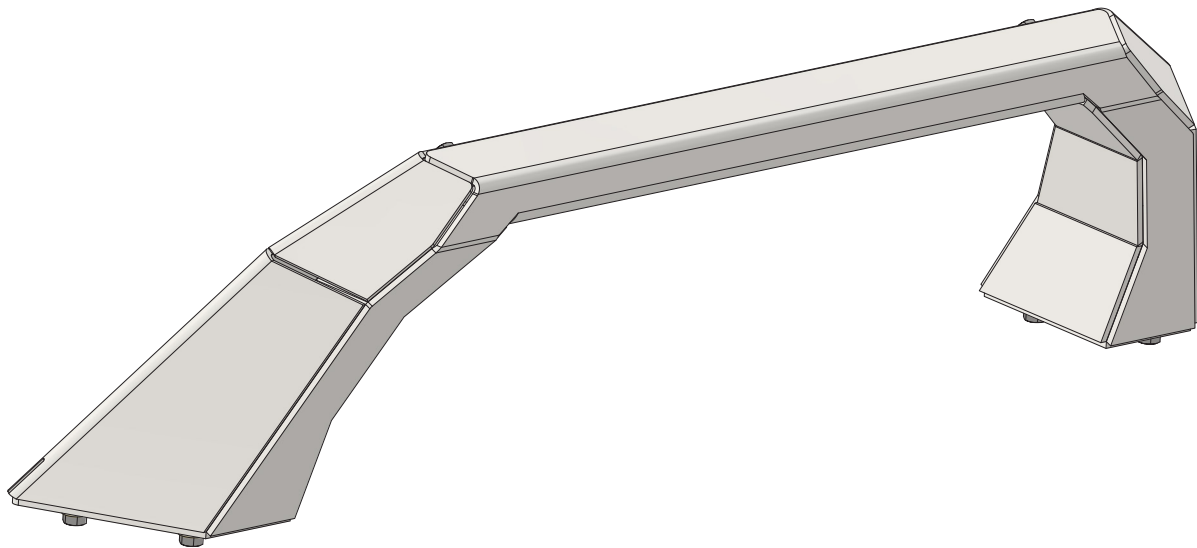
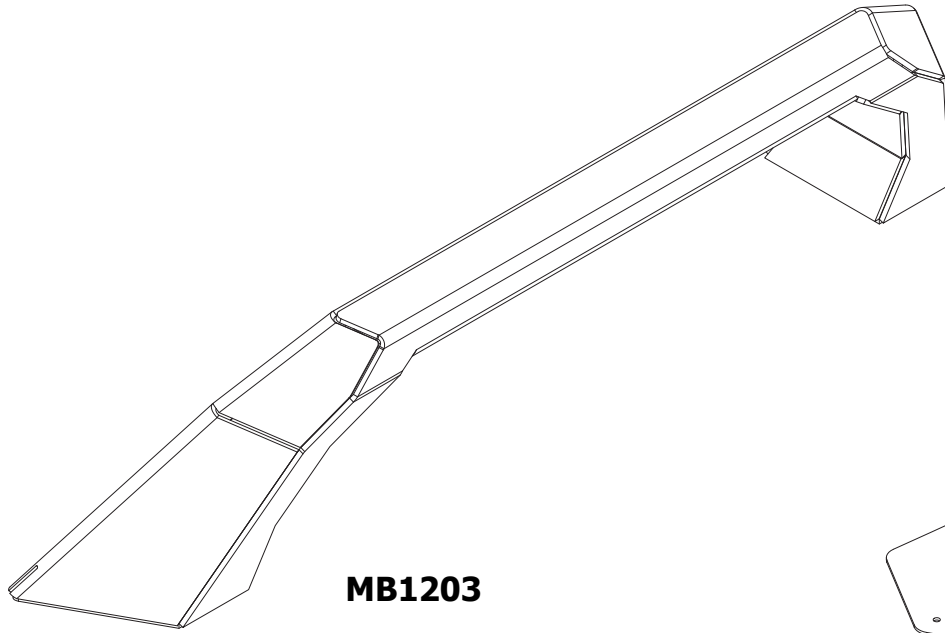


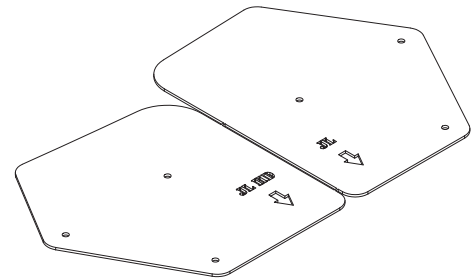
MB1203 - Installation Instructions Crusher HD Bull Bar**MB1203 - CRUSHER HD BULL BAR****COMPATIBLE WITH CRUSHER AND CRUSHER HD JK/JKU/JL/JLU/JT****ASSEMBLY INSTRUCTIONS**

MB1203 - Installation Instructions Crusher HD Bull Bar

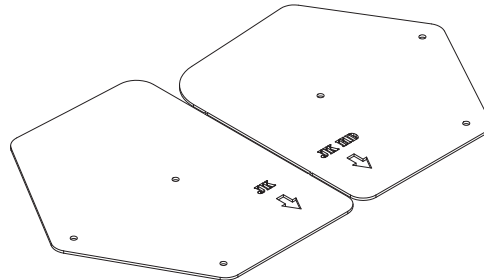
CONTENTS



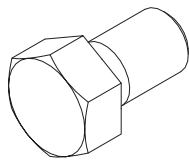
MB1203



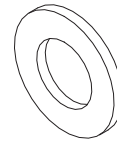
MB1203-07



MB1203-06

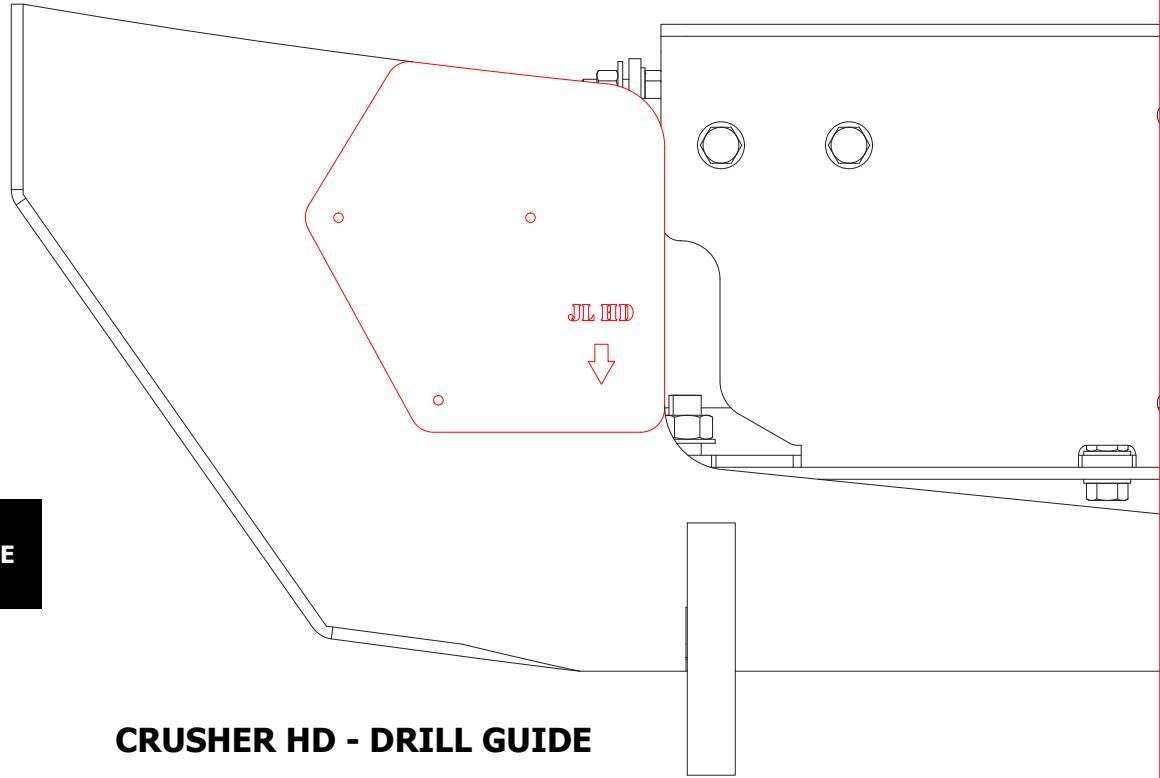


**3/8\"-16 x .75\" - NYLOCK HEX BOLT
QTY: 8**



**3/8\" - FLAT WASHER
QTY: 8**

MB1203 - Installation Instructions Crusher HD Bull Bar

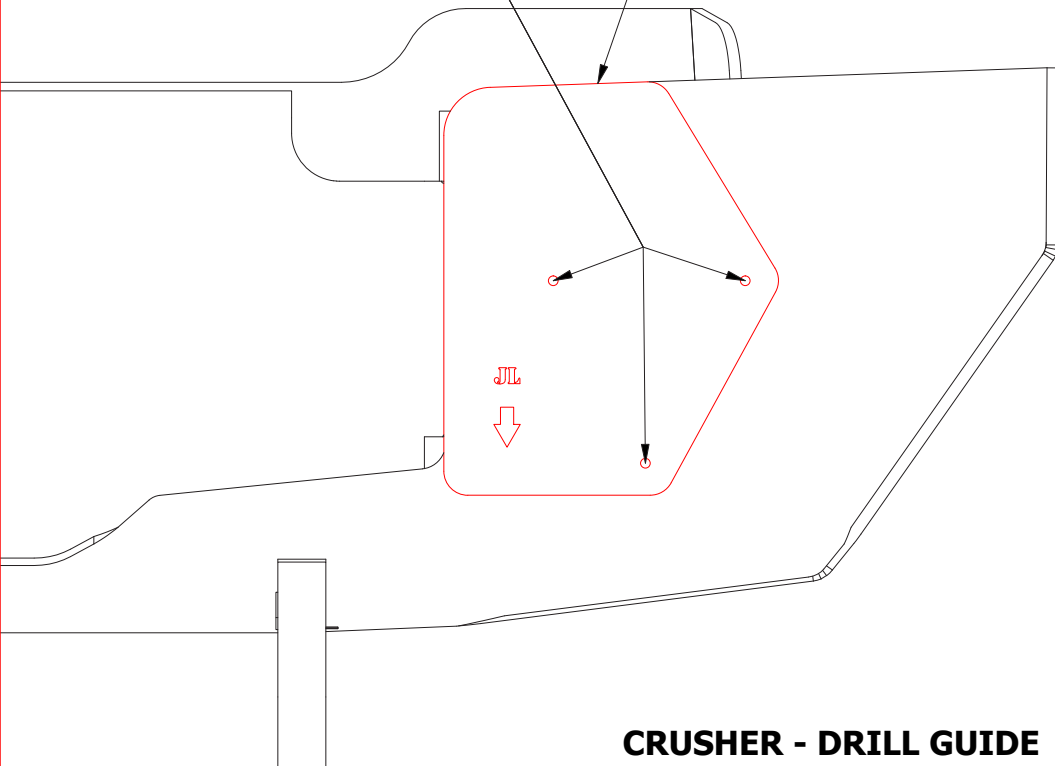


NOTE: JK OWNERS USE JK GUIDE

CRUSHER HD - DRILL GUIDE

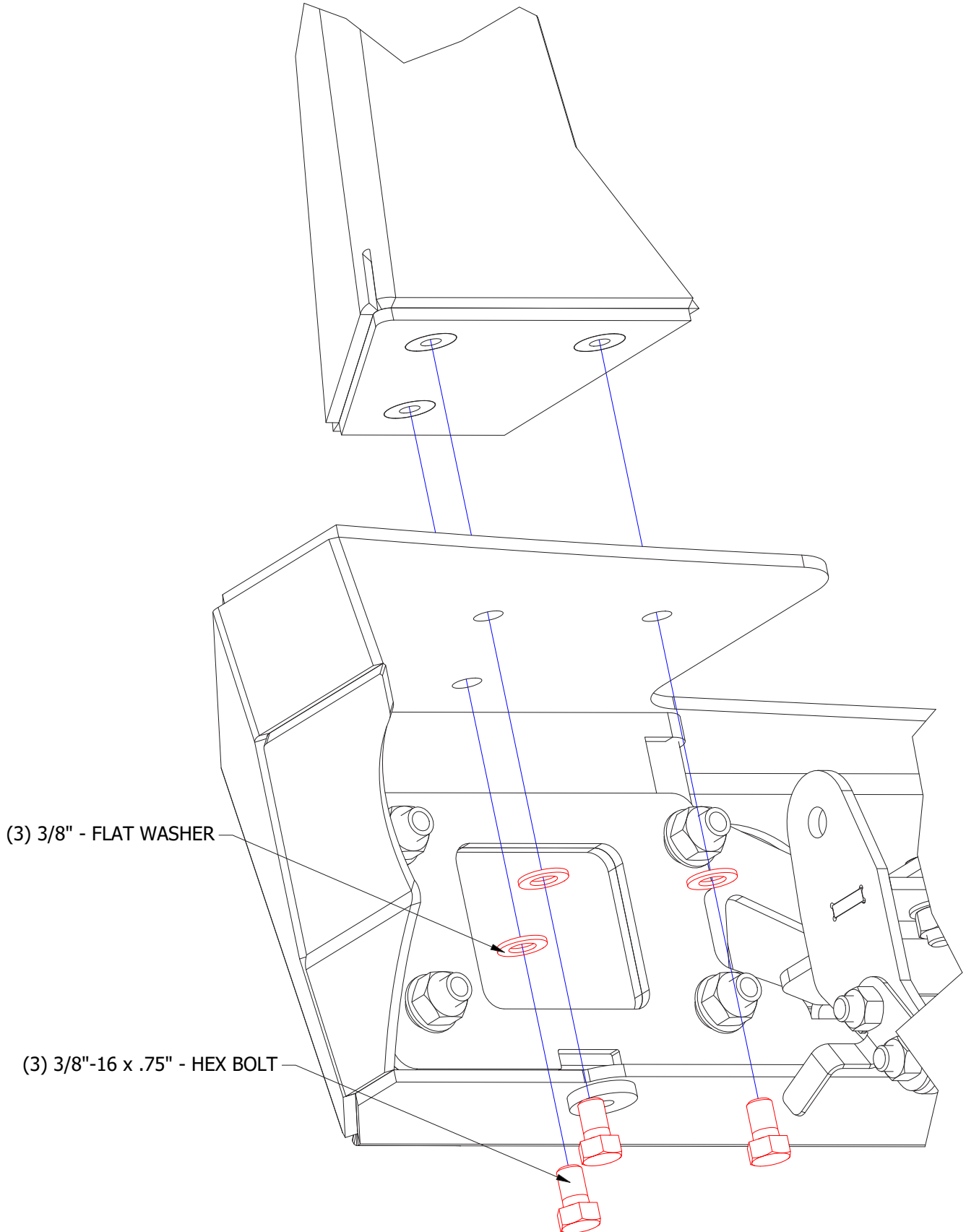
CENTER PUNCH HOLES
AND DRILL TO 7/16"

LINE UP GUIDE EDGES WITH BUMPER
ARROW TO FRONT



CRUSHER - DRILL GUIDE

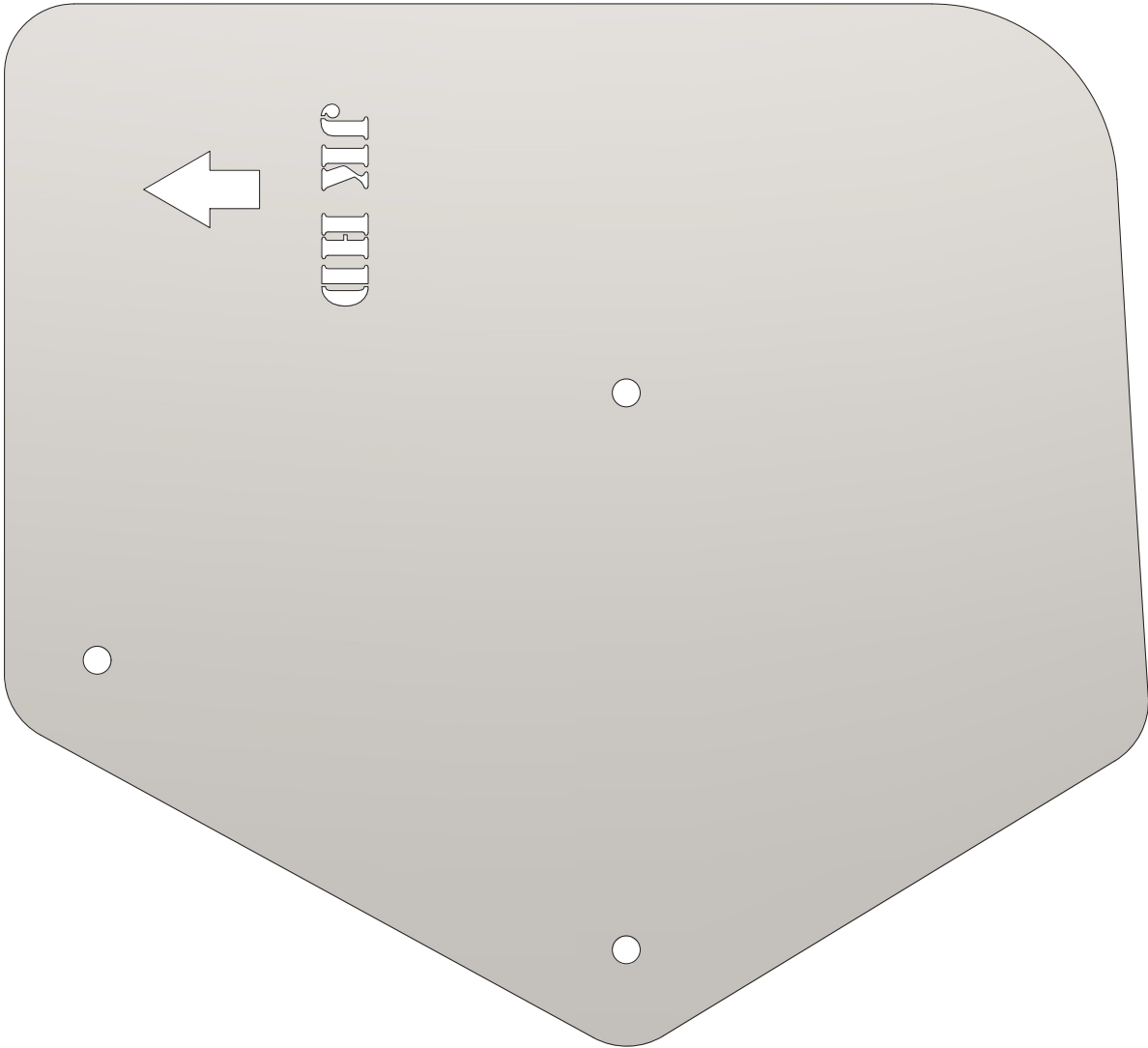
MB1203 - Installation Instructions Crusher HD Bull Bar



BULL BAR INSTALLATION

MB1203-06 Plate 06

TEMPLATE

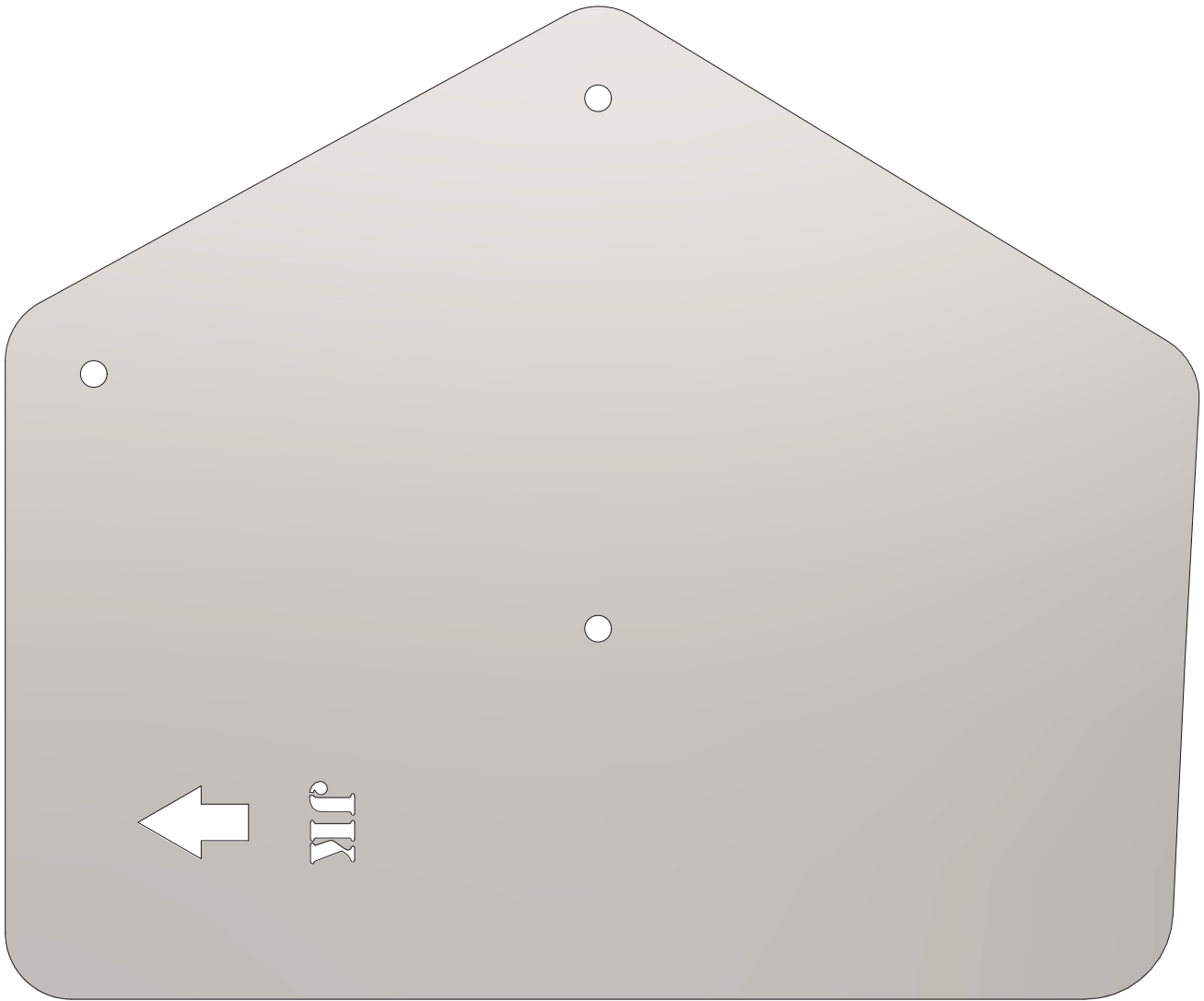


**MB1203-06 (CRUSHER HD)
SCALE 1:1**

*REMOVE JK FLANGE WHEN USING ON JL CRUSHER HD

MB1203-06 Plate 06

TEMPLATE



**MB1203-06 (CRUSHER)
SCALE 1:1**

*REMOVE HD FLANGE WHEN USING ON JL CRUSHER NON HD