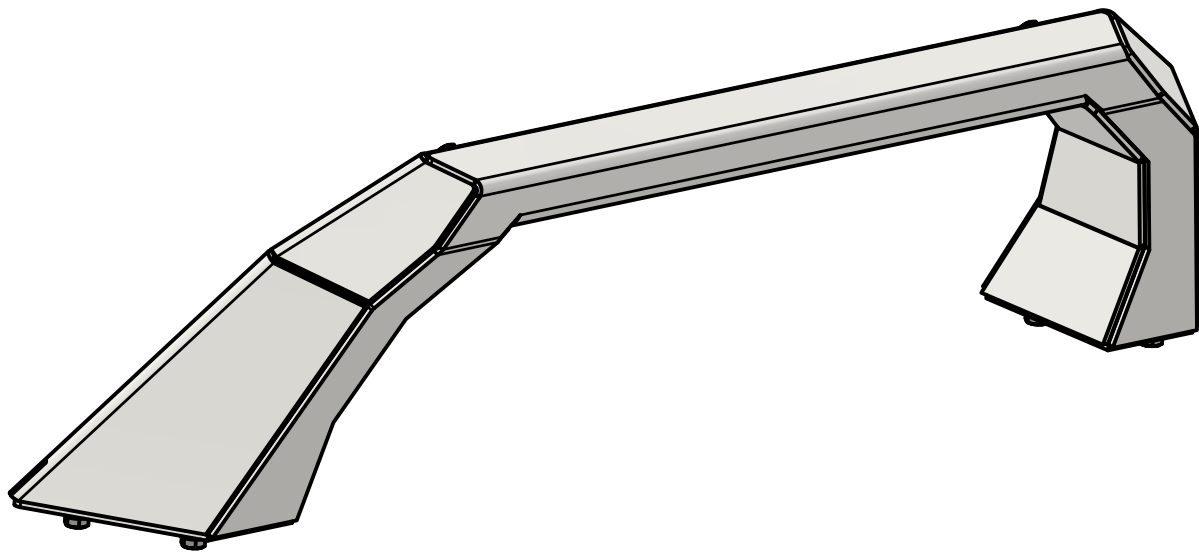


MB1203 - Installation Instructions Crusher HD Bull Bar

MB1203 - CRUSHER HD BULL BAR

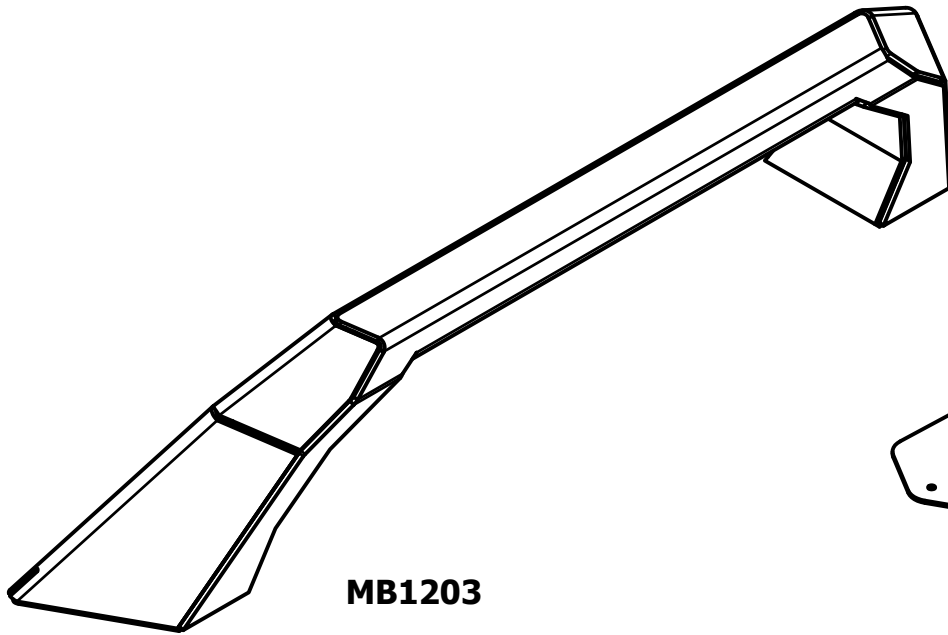
COMPATIBLE WITH CRUSHER AND CRUSHER HD JK/JKU/JL/JLU/JT



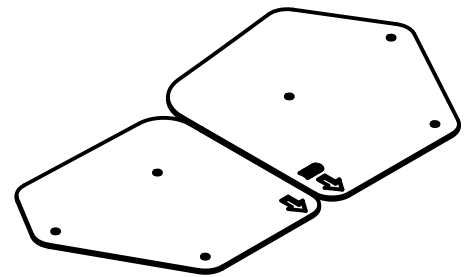
ASSEMBLY INSTRUCTIONS

MB1203 - Installation Instructions Crusher HD Bull Bar

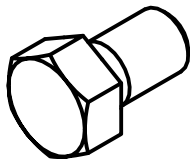
CONTENTS



MB1203



MB1203-06

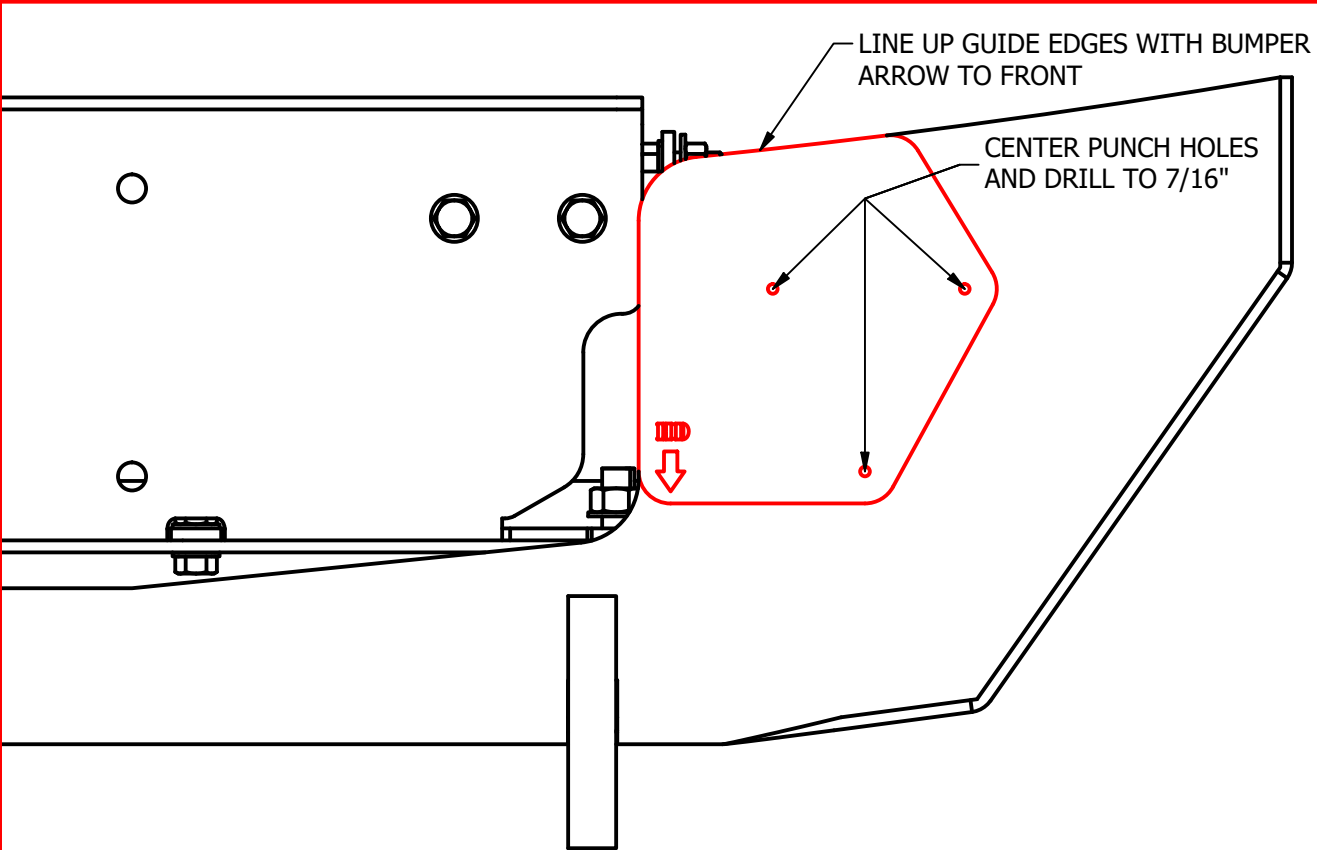


3/8\"-16 x .625\" - HEX BOLT
QTY: 8

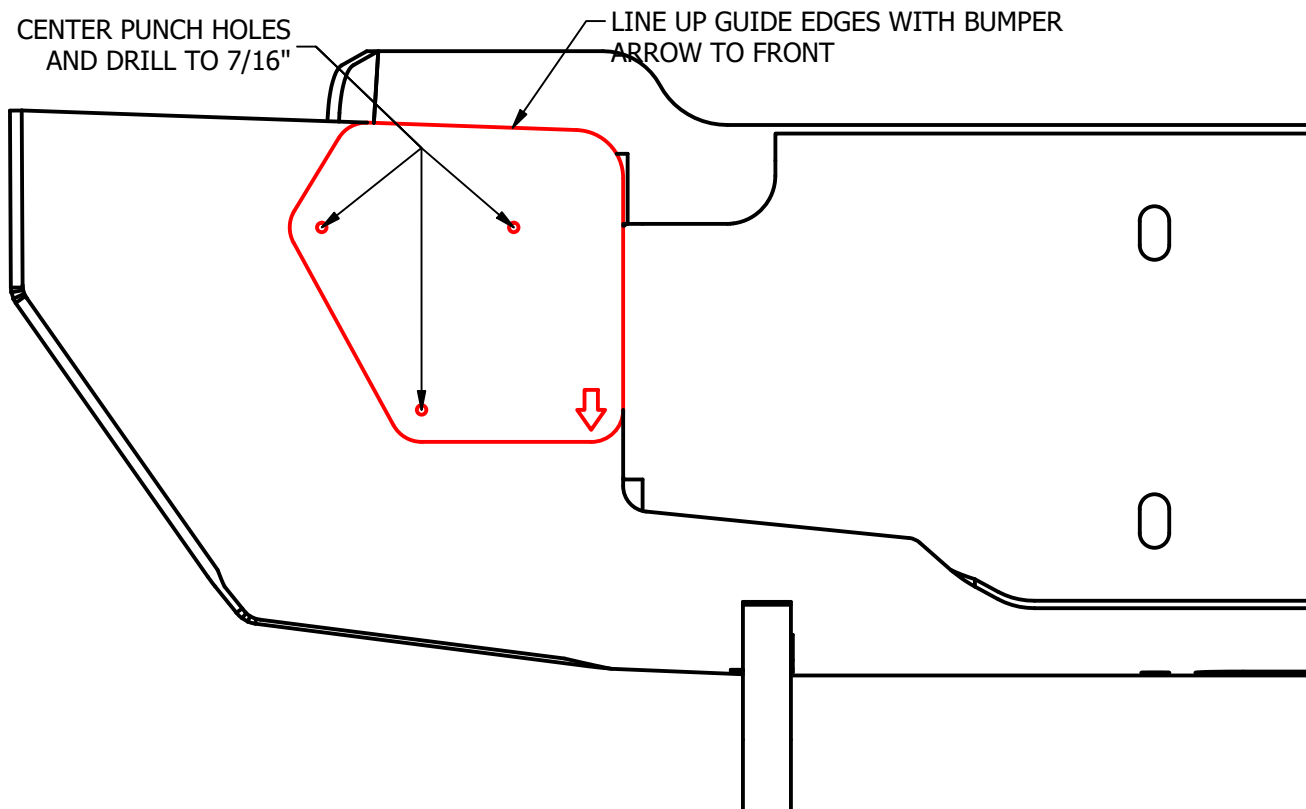


3/8\" - FLAT WASHER
QTY: 8

MB1203 - Installation Instructions Crusher HD Bull Bar

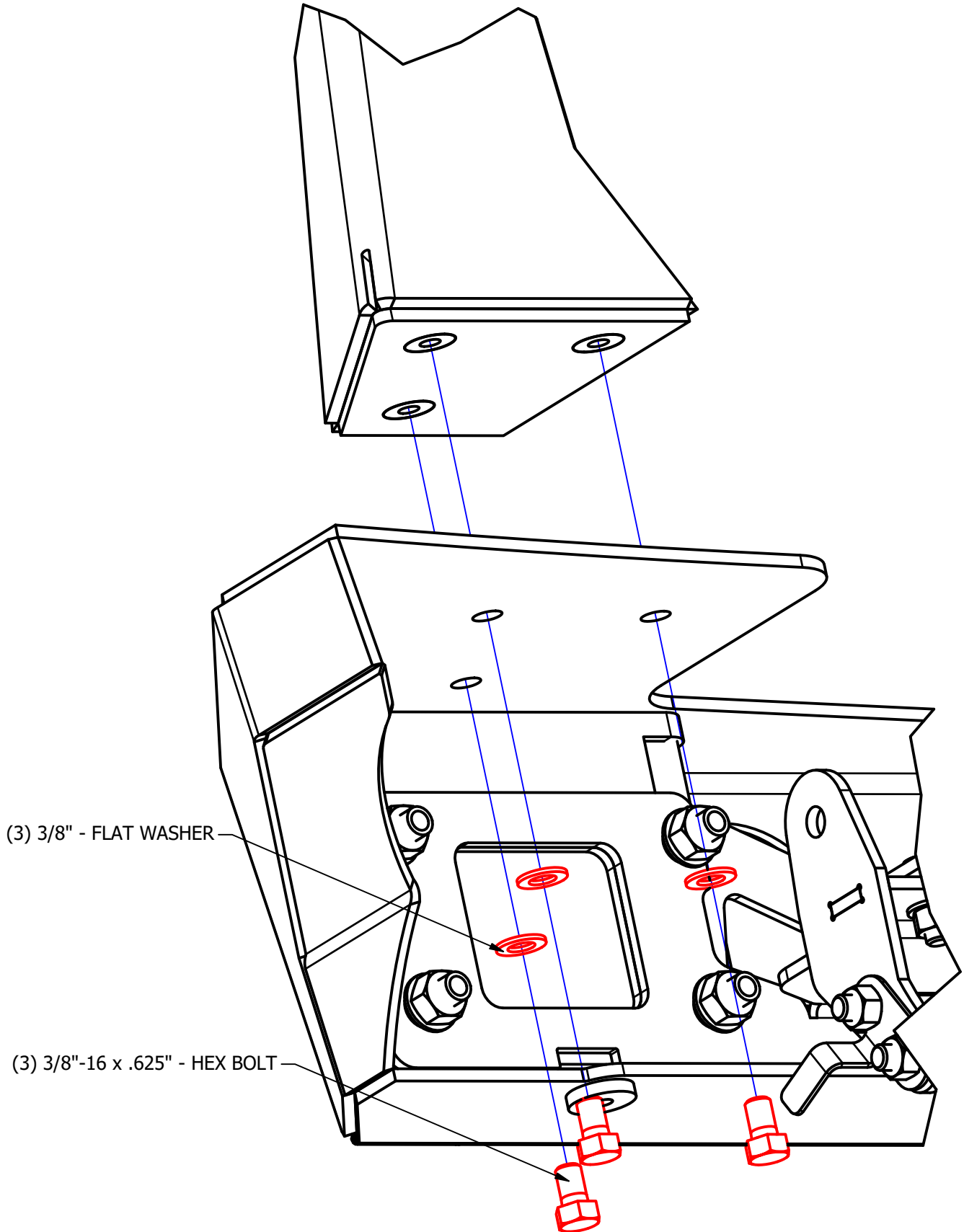


CRUSHER HD - DRILL GUIDE



CRUSHER - DRILL GUIDE

MB1203 - Installation Instructions Crusher HD Bull Bar



BULL BAR INSTALLATION