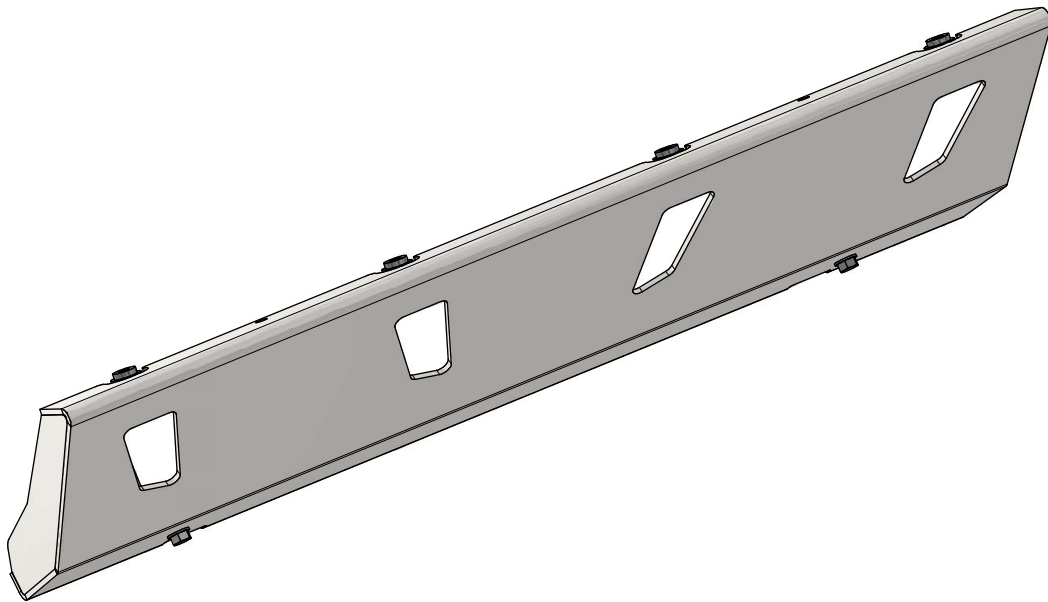


MB1201 - Installation Instructions JL/JLU/JT Crusher HD Skidplate

MB1201 - CRUSHER HD SKIDPLATE

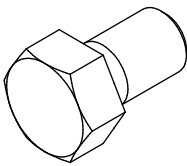
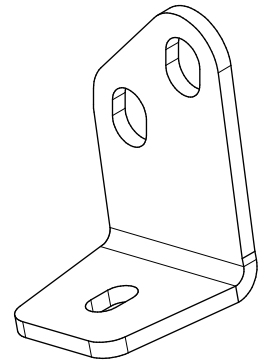
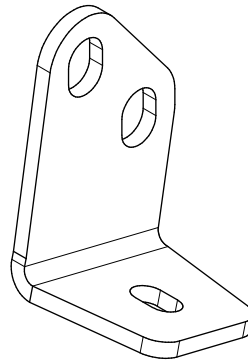
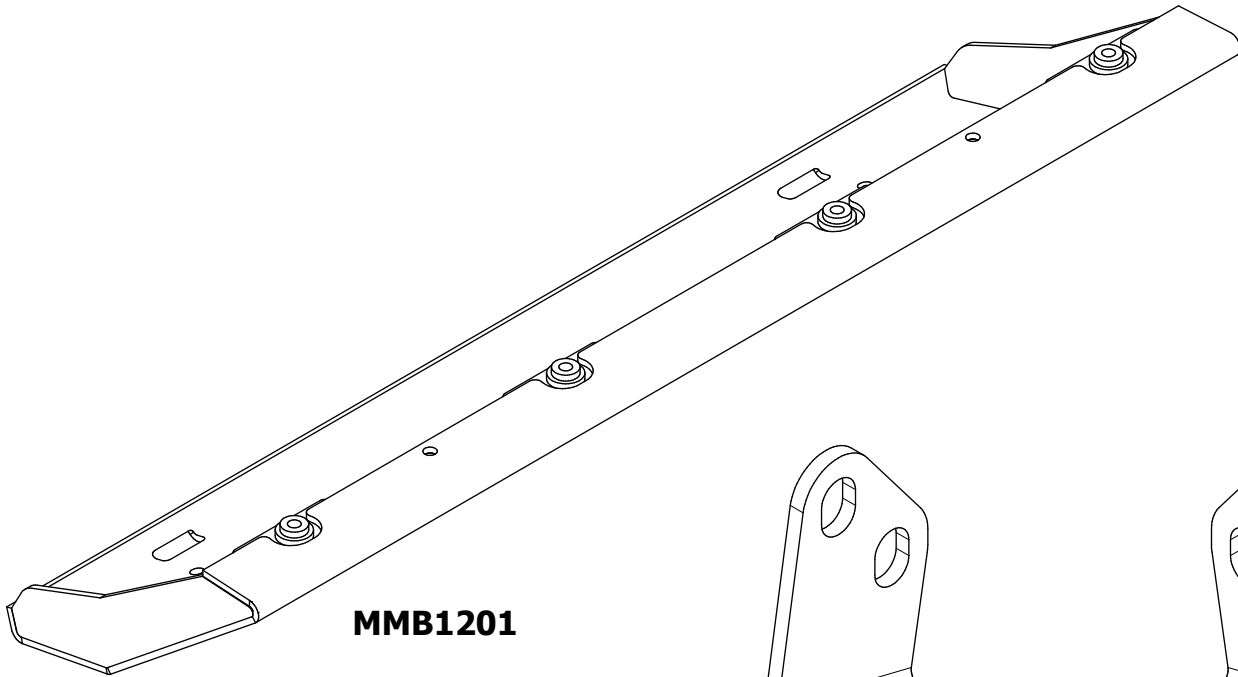
COMPATIBLE WITH JEEP JL/JLU/JT



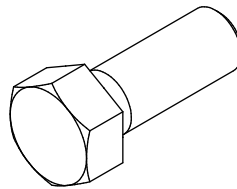
ASSEMBLY INSTRUCTIONS

MB1201 - Installation Instructions JL/JLU/JT Crusher HD Skidplate

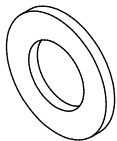
CONTENTS



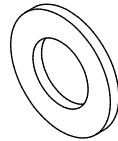
**7/16"-14 x .75" - HEX BOLT
QTY: 4**



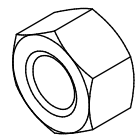
**3/8"-16 x 1" - HEX BOLT
QTY: 2**



**7/16" - FLAT WASHER
QTY: 4**

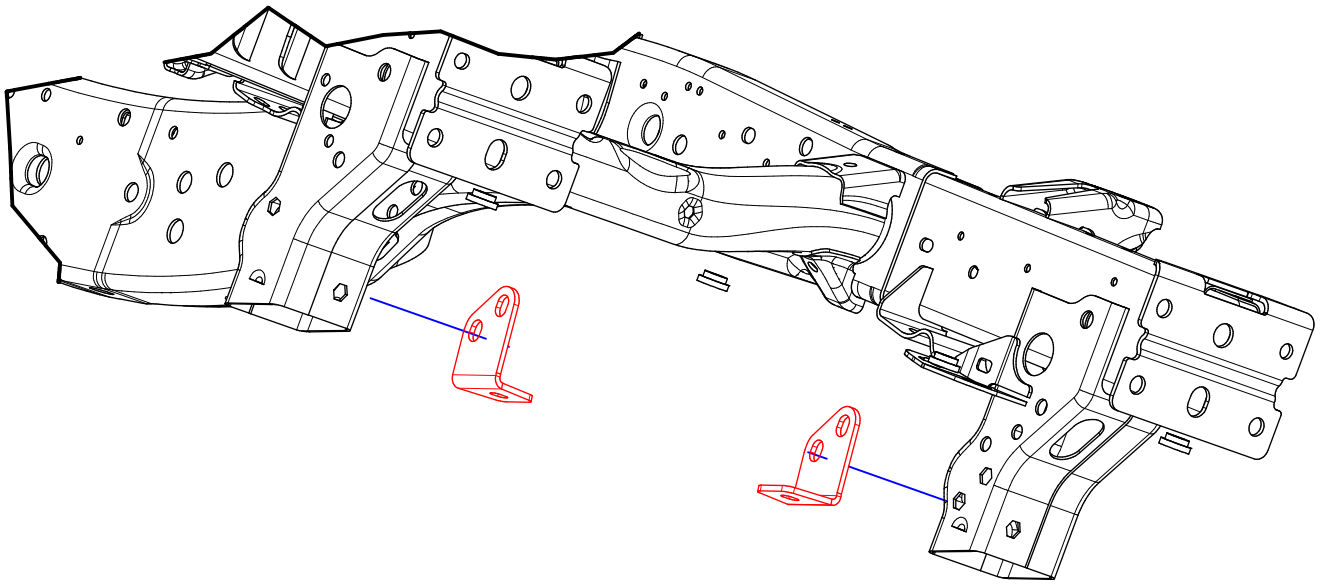


**3/8" - FLAT WASHER
QTY: 4**

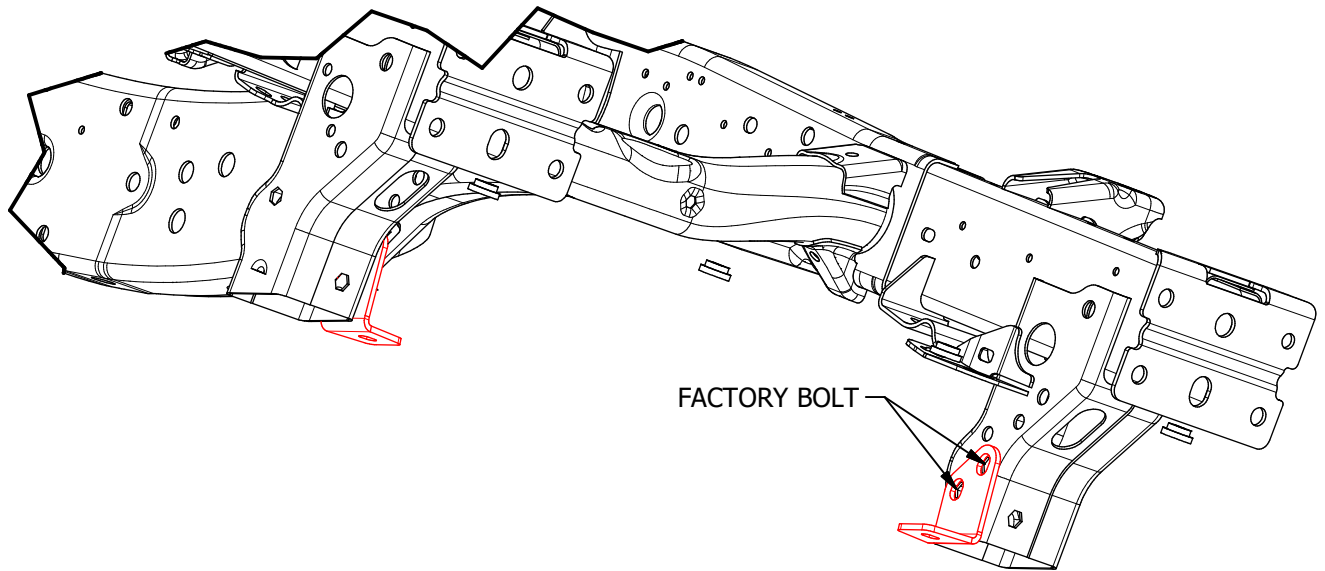


**3/8"-16 - NYLOCK HEX NUT
QTY: 2**

MB1201 - Installation Instructions JL/JLU/JT Crusher HD Skidplate

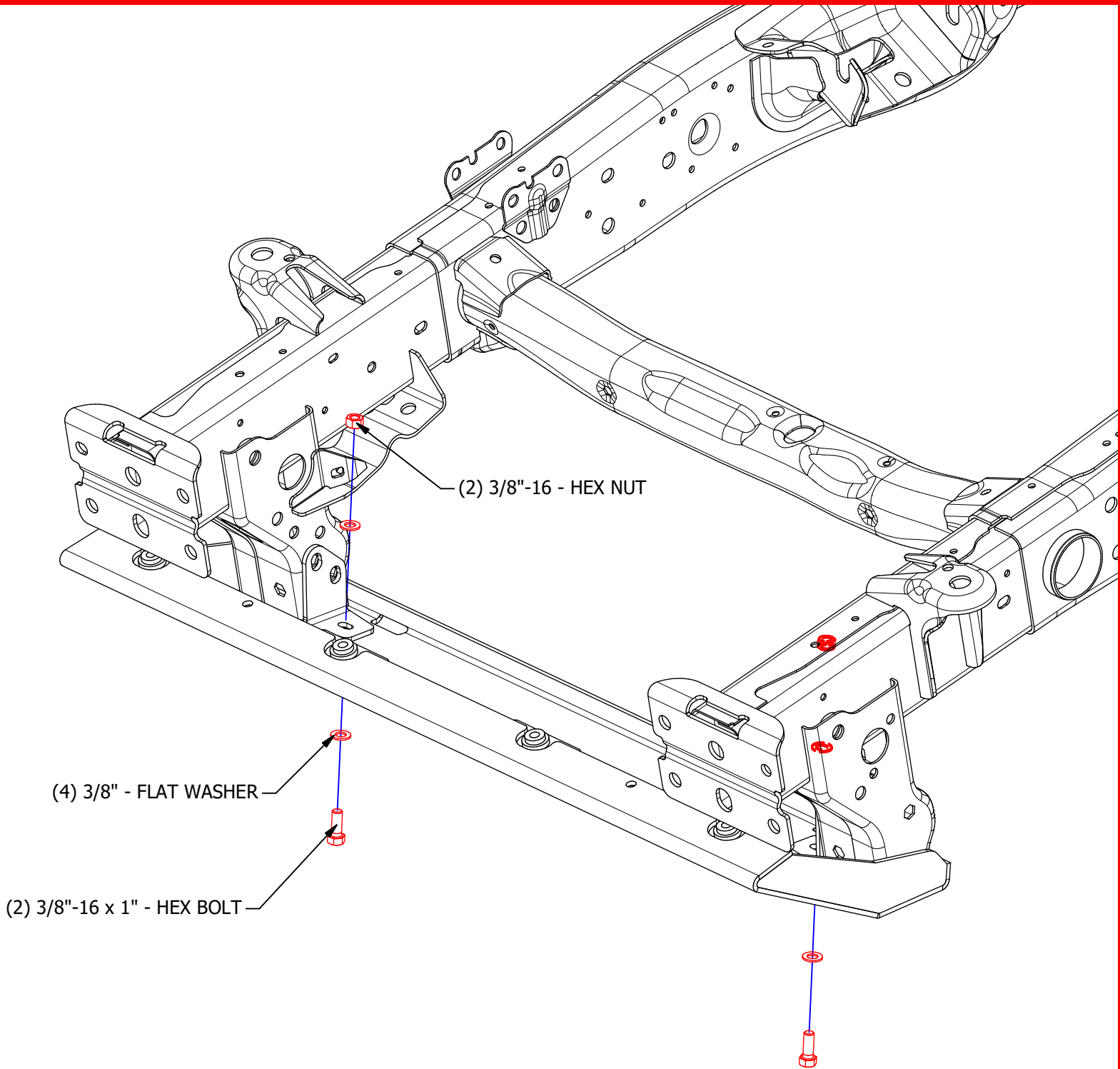


FRAME BRACKETS - REMOVED



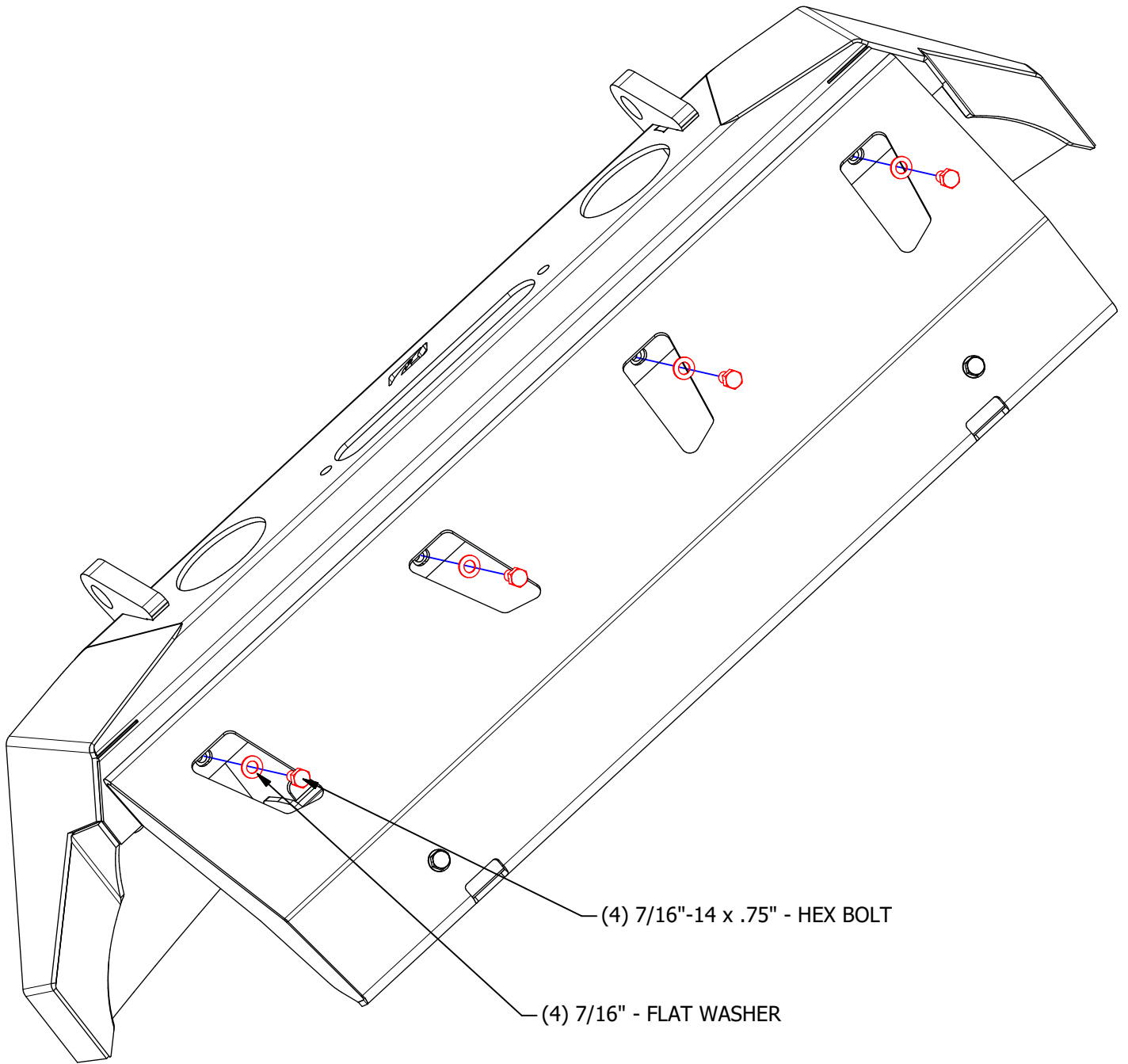
FRAME BRACKETS - INSTALLED

MB1201 - Installation Instructions JL/JLU/JT Crusher HD Skidplate



FRAME BRACKET ATTACHMENT

MB1201 - Installation Instructions JL/JLU/JT Crusher HD Skidplate



(4) 7/16"-14 x .75" - HEX BOLT

(4) 7/16" - FLAT WASHER

BUMPER ATTACHMENT