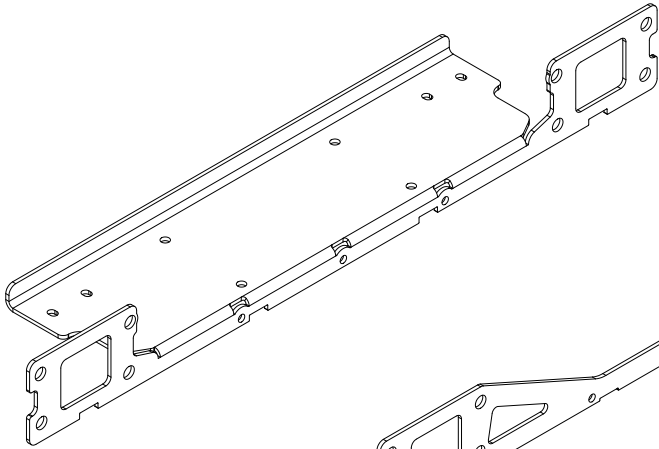
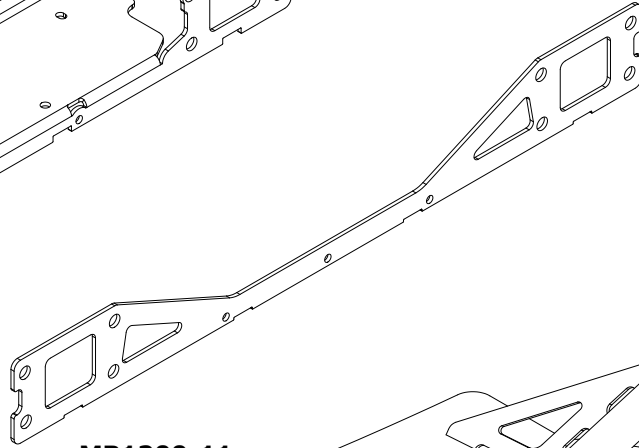


**MB1200-B - Shipping Crusher HD Front Bumper**

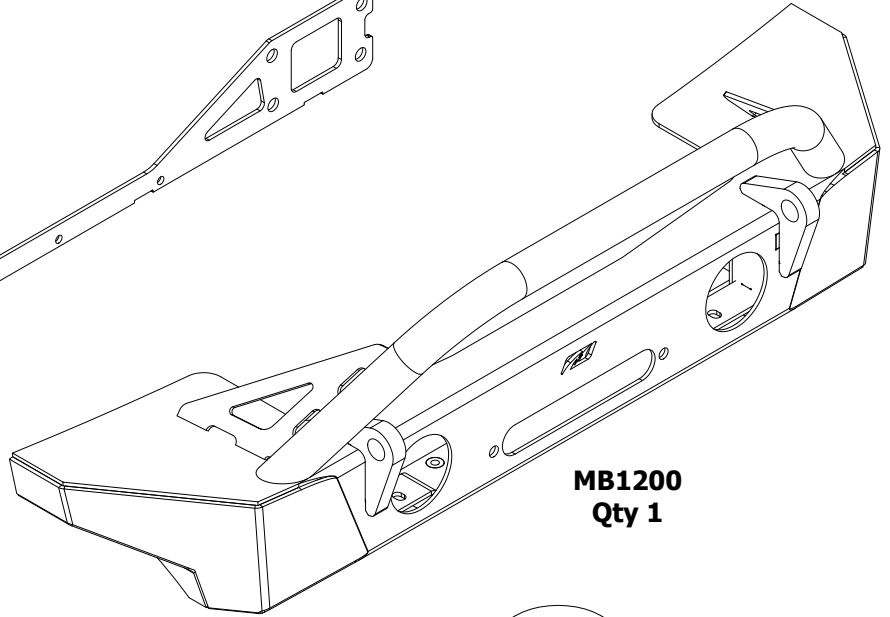
**CONTENTS**



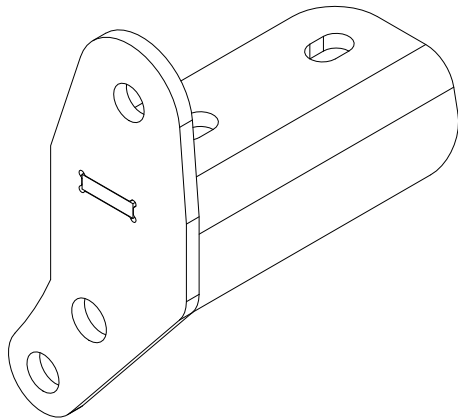
**MB1200-10**  
Qty 1



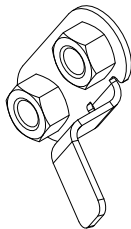
**MB1200-11**  
Qty 1



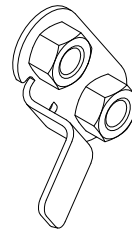
**MB1200**  
Qty 1



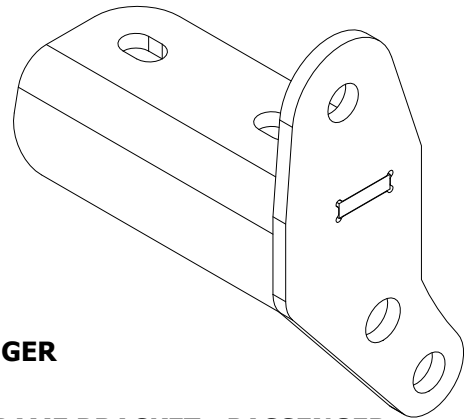
**FRAME BRACKET - DRIVER**  
Qty 1



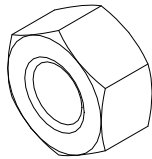
**NUTSTRIP: DRIVER**  
QTY 1



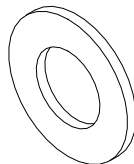
**NUTSTRIP: PASSENGER**  
QTY 1



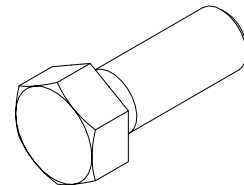
**FRAME BRACKET - PASSENGER**  
Qty 1



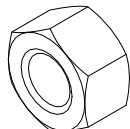
**7/16"-14 - NYLOCK HEX NUT**  
Qty 8



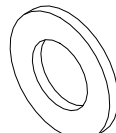
**7/16" - FLAT WASHER**  
Qty 8



**3/8"-16 x 1" HEX BOLT**  
Qty 11



**3/8"-16 - NYLOCK HEX NUT**  
Qty 7



**3/8" - FLAT WASHER**  
Qty 18