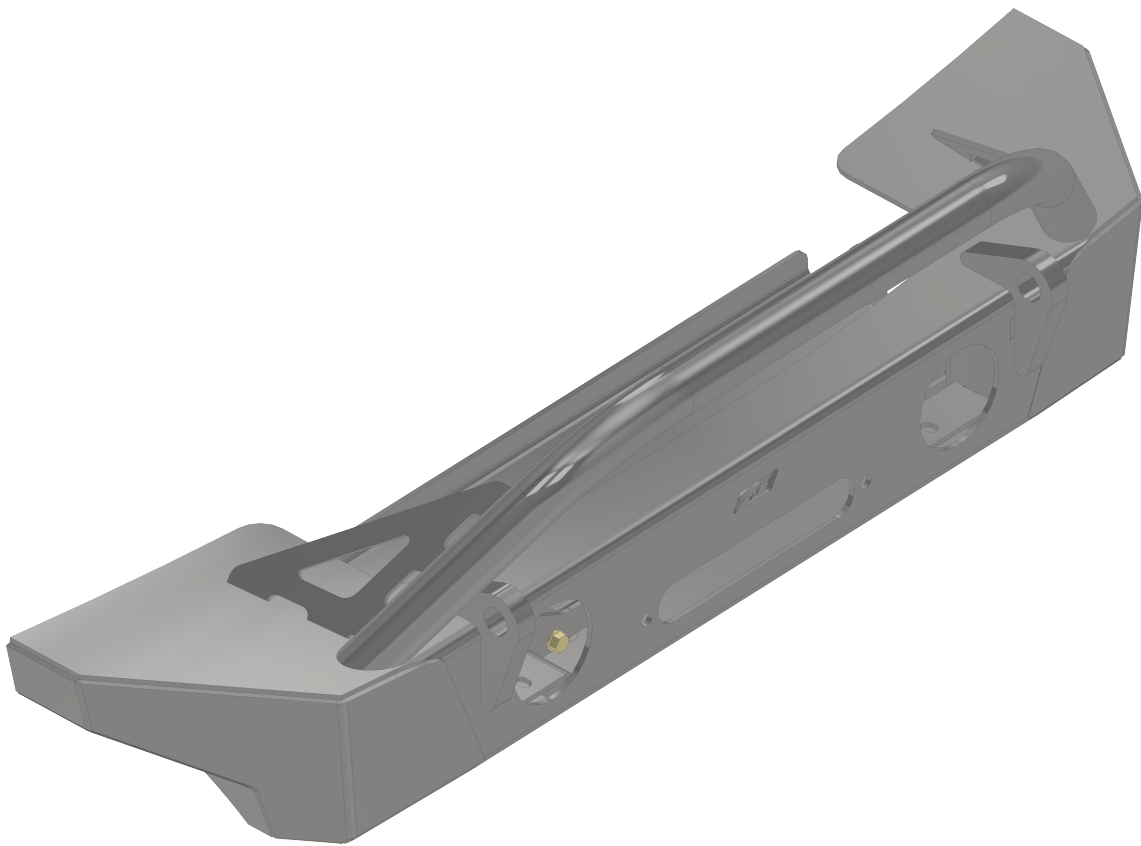


MB1200-B - Assembly Instructions Crusher HD Front Bumper

MB1200-B - CRUSHER HD FRONT BUMPER

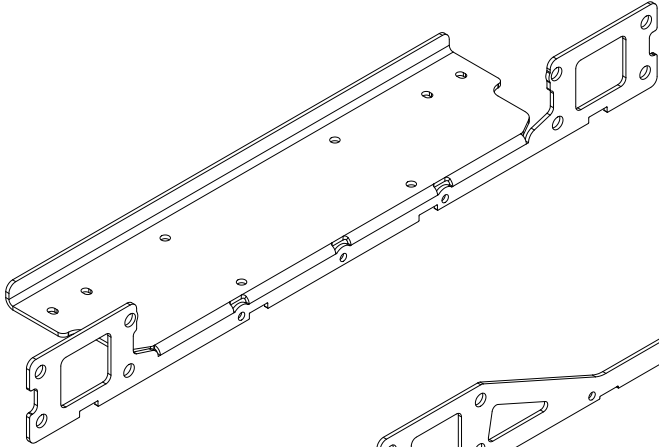
COMPATIBLE WITH JEEP JL/JLU/JT



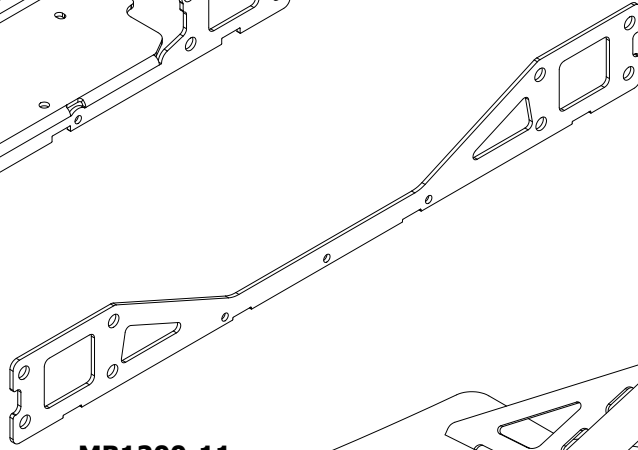
ASSEMBLY INSTRUCTIONS

MB1200-B - Assembly Instructions Crusher HD Front Bumper

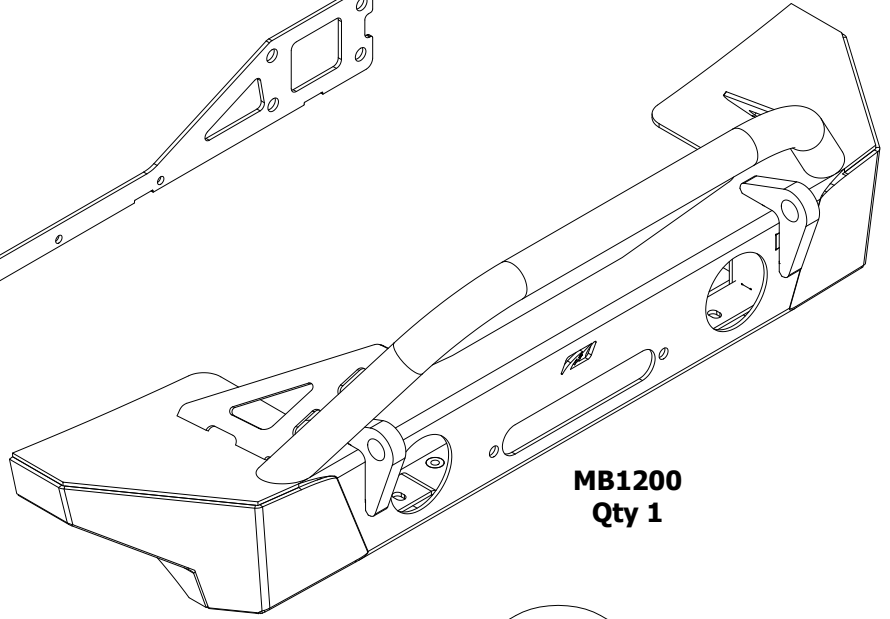
CONTENTS



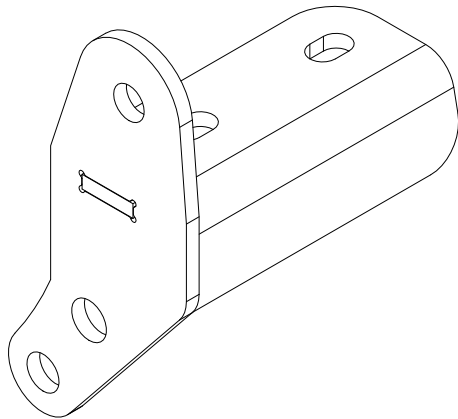
MB1200-10
Qty 1



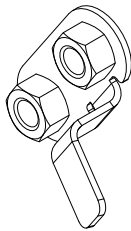
MB1200-11
Qty 1



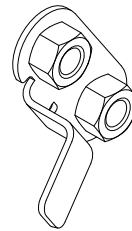
MB1200
Qty 1



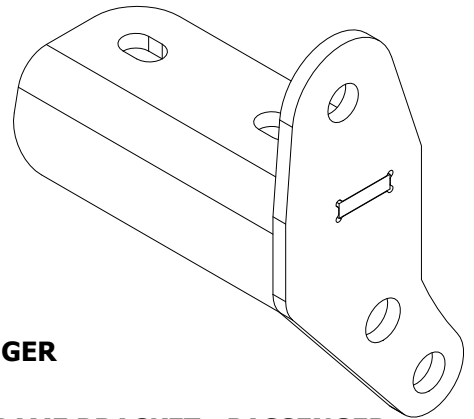
FRAME BRACKET - DRIVER
Qty 1



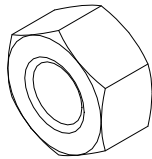
NUTSTRIP: DRIVER
QTY 1



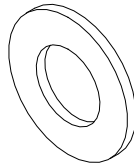
NUTSTRIP: PASSENGER
QTY 1



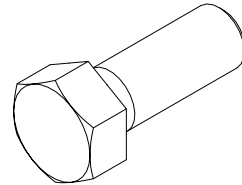
FRAME BRACKET - PASSENGER
Qty 1



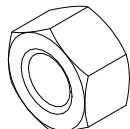
7/16"-14 - NYLOCK HEX NUT
Qty 8



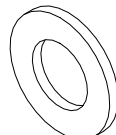
7/16" - FLAT WASHER
Qty 8



3/8"-16 x 1" HEX BOLT
Qty 11

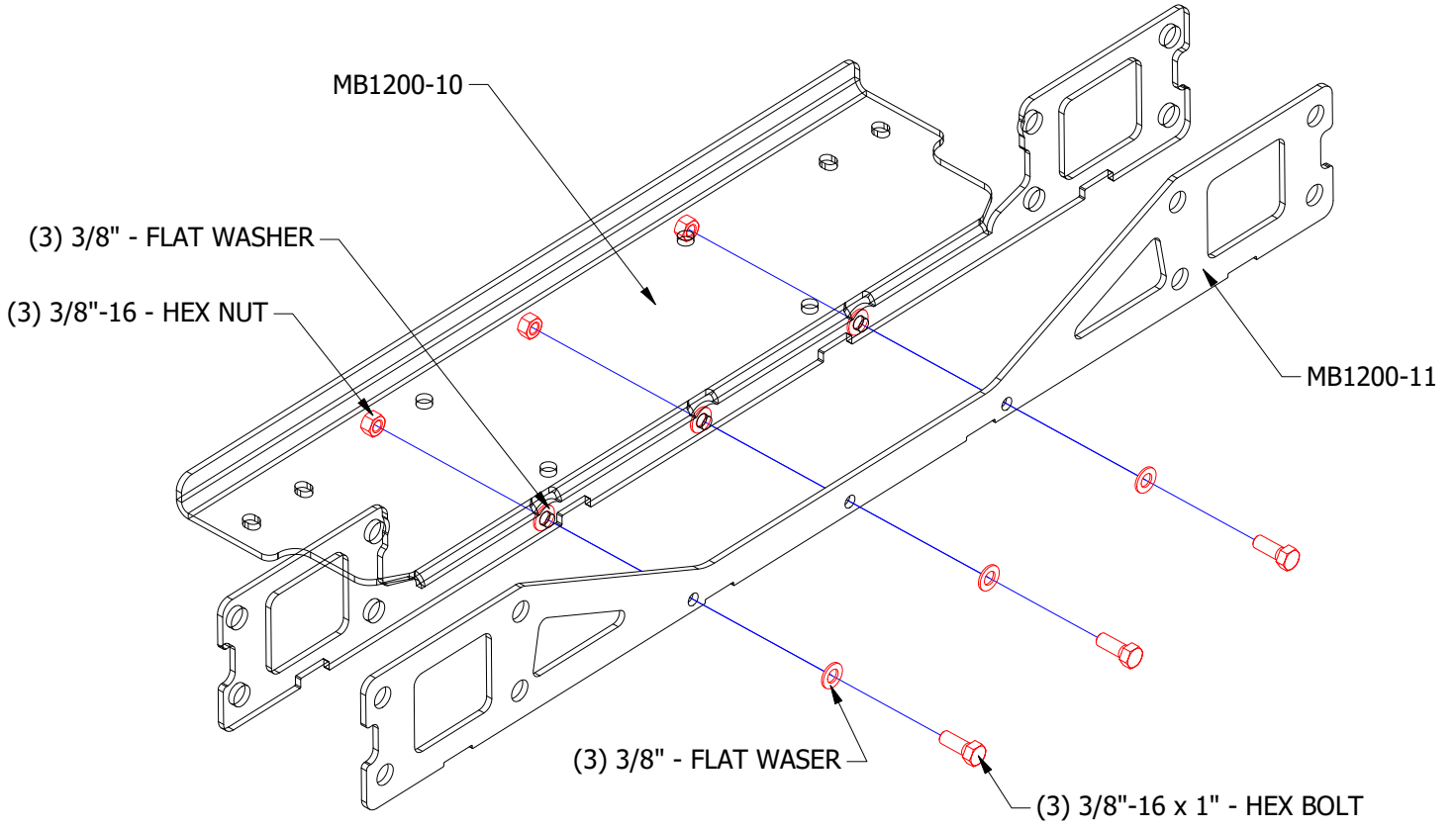


3/8"-16 - NYLOCK HEX NUT
Qty 7

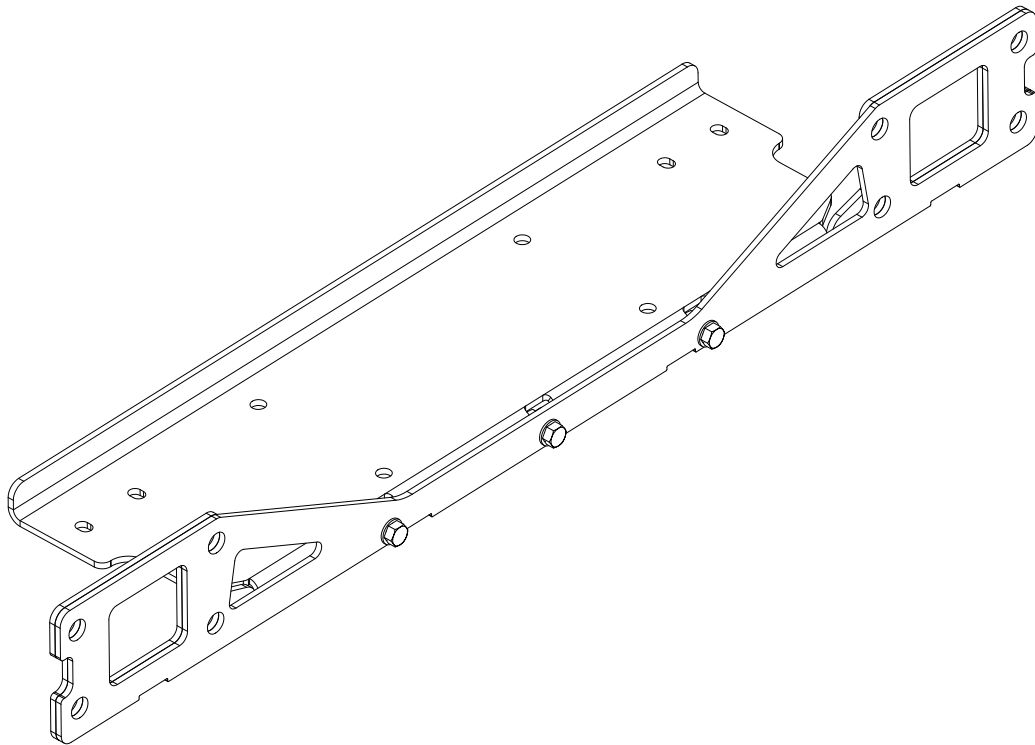


3/8" - FLAT WASHER
Qty 18

MB1200-B - Assembly Instructions

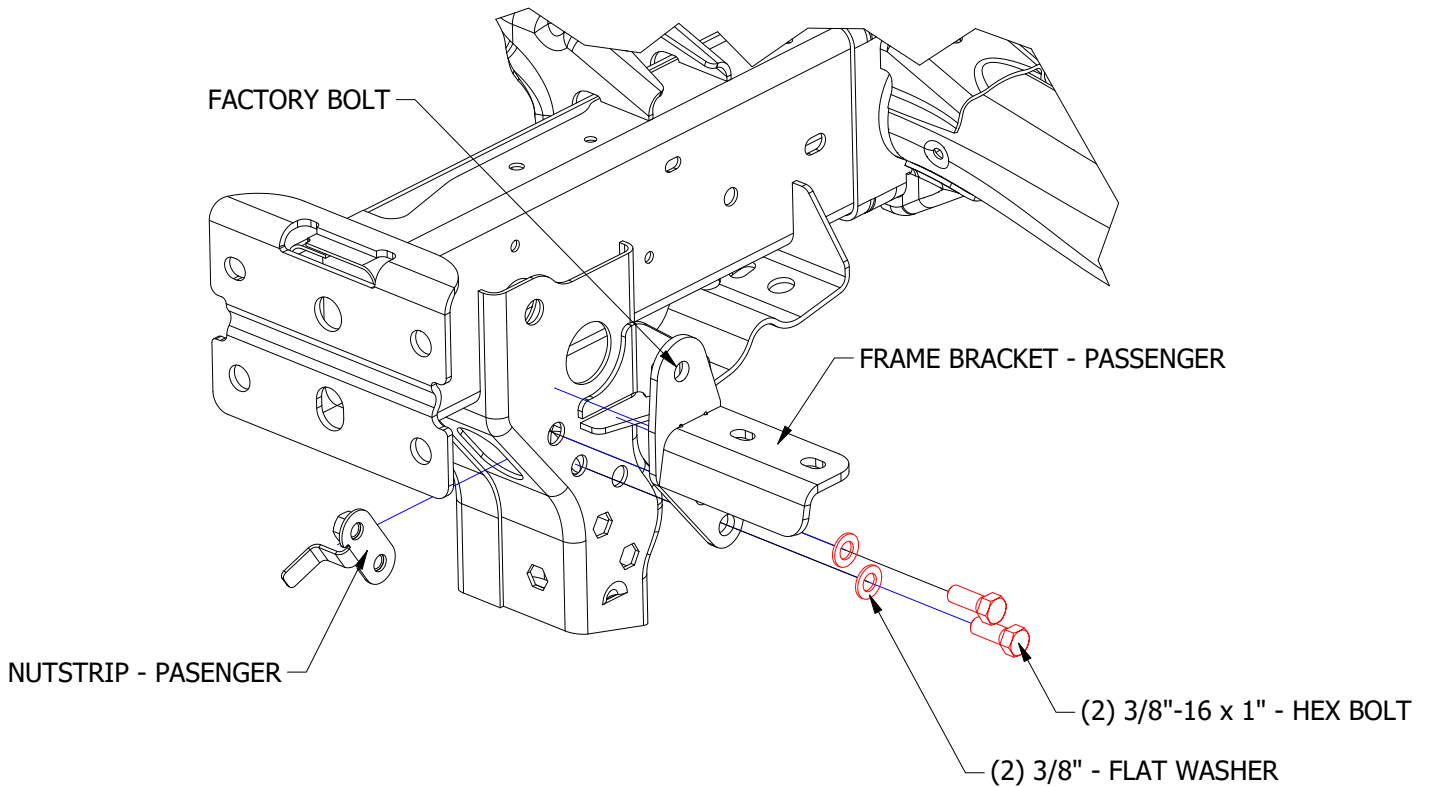
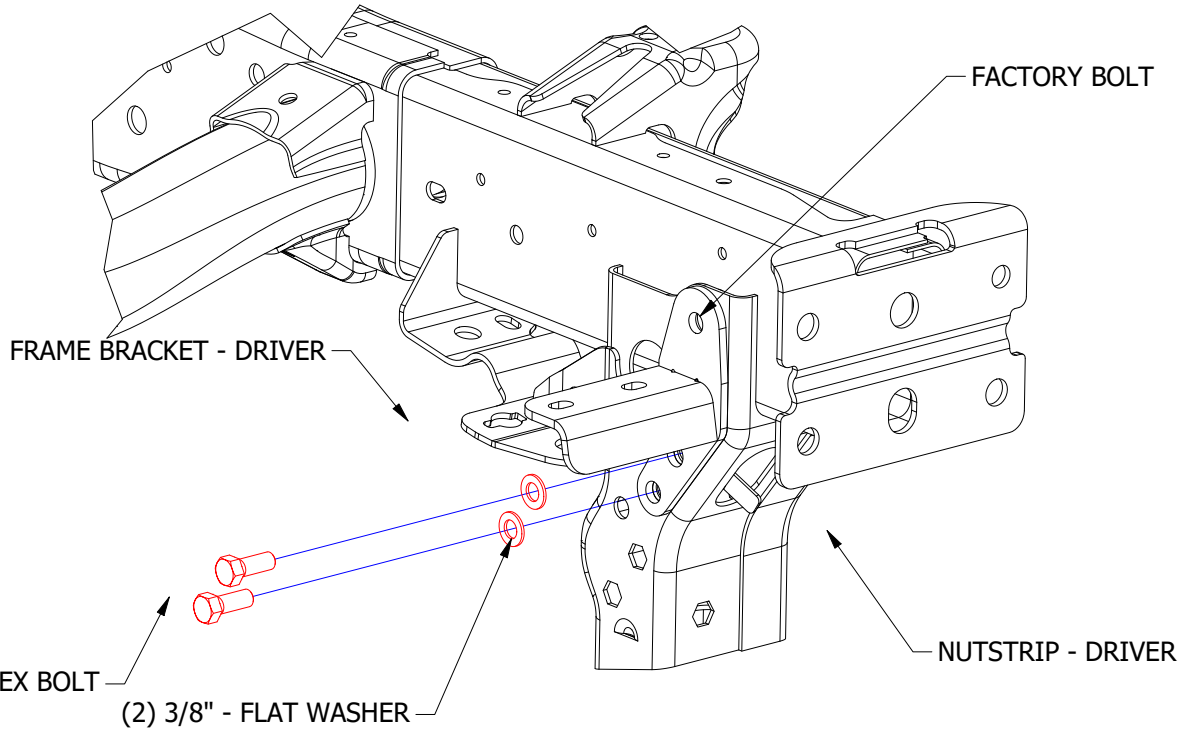


WINCH PLATE ASSEMBLY

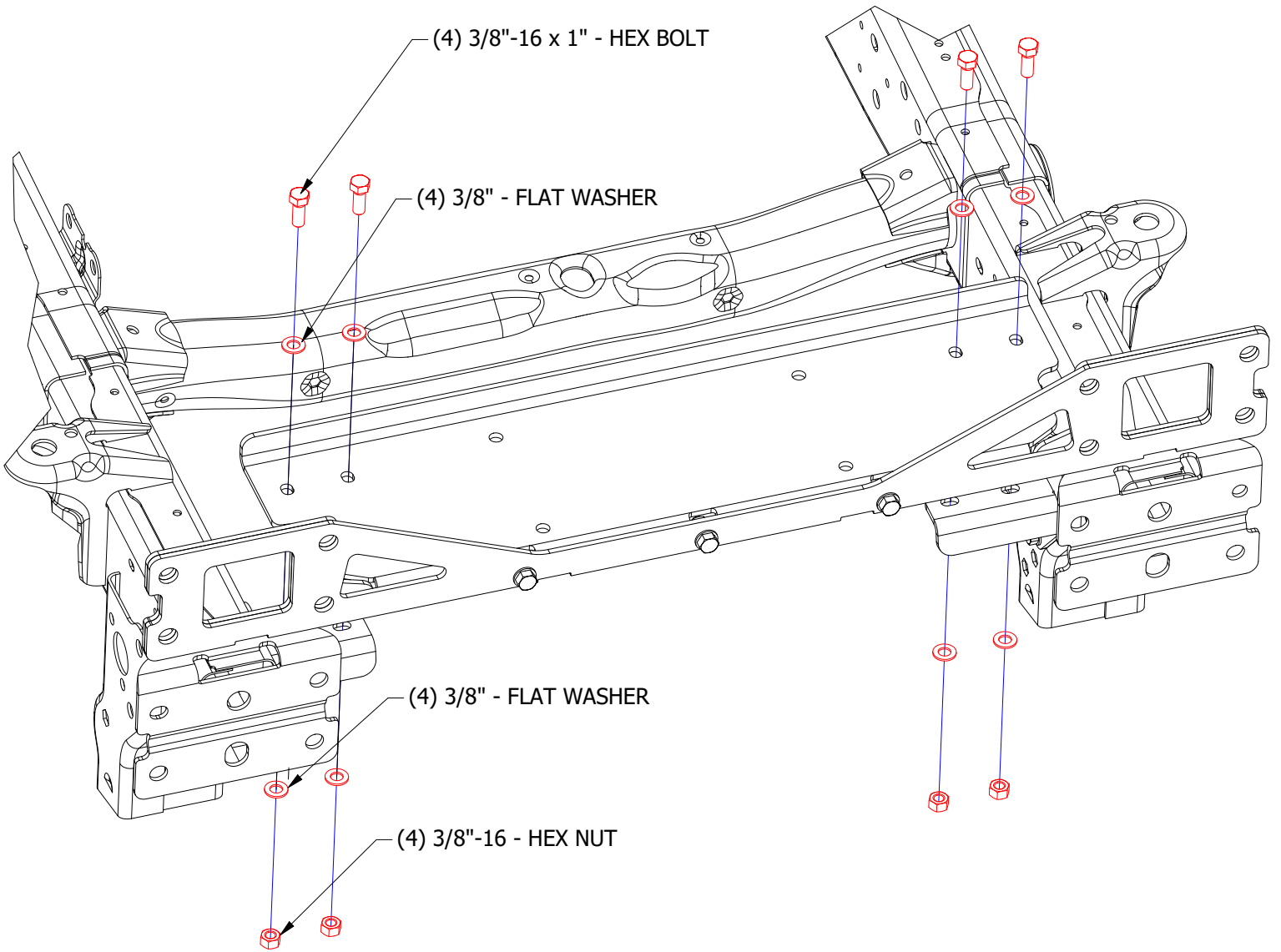


AFTER ASSEMBLY

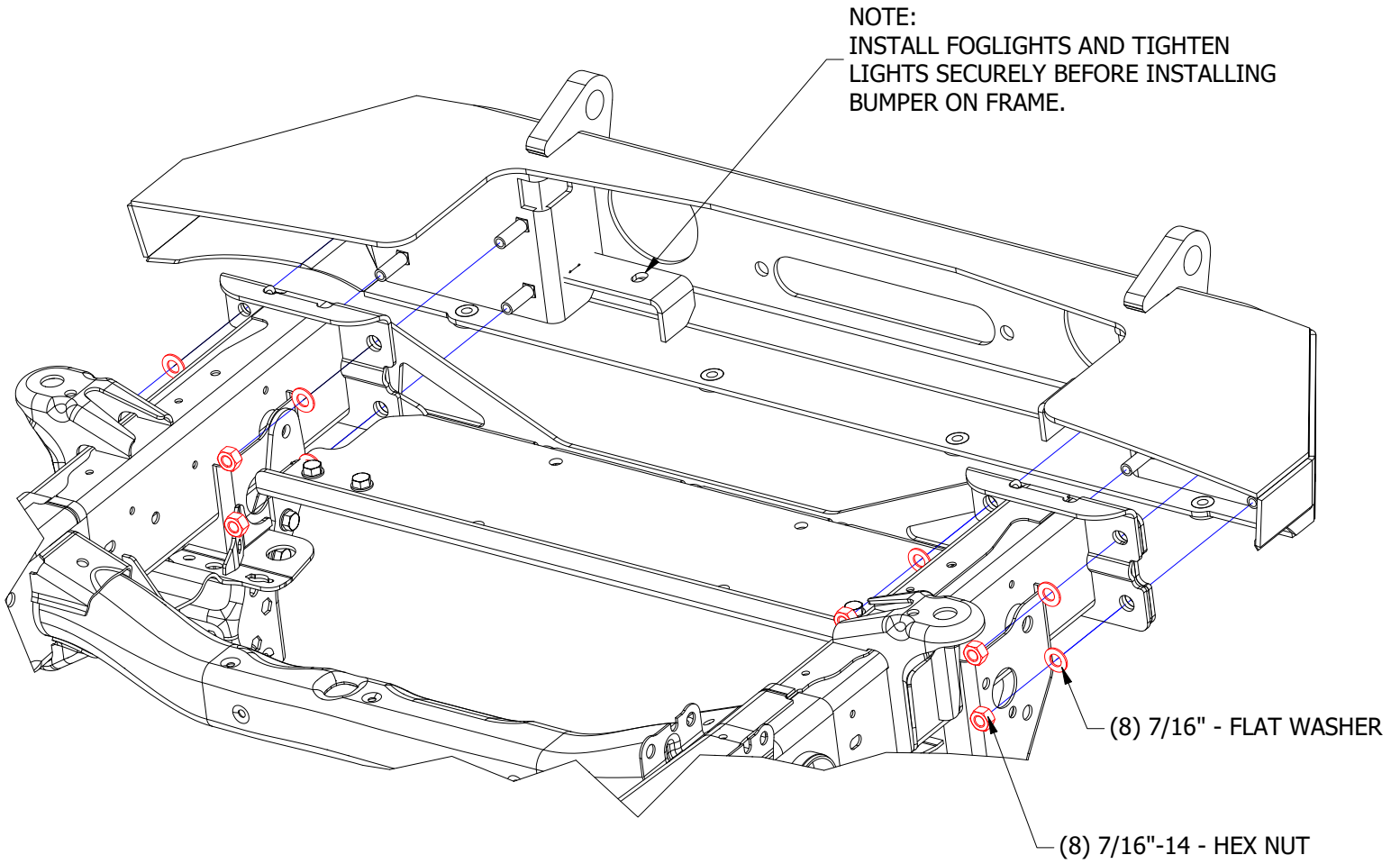
MB1200 - Assembly Instructions Crusher HD Front Bumper



MB1200 - Assembly Instructions Crusher HD Front Bumper



WINCH PLATE INSTALLATION

MB1200 - Assembly Instructions Crusher HD Front Bumper**BUMPER INSTALLATION**