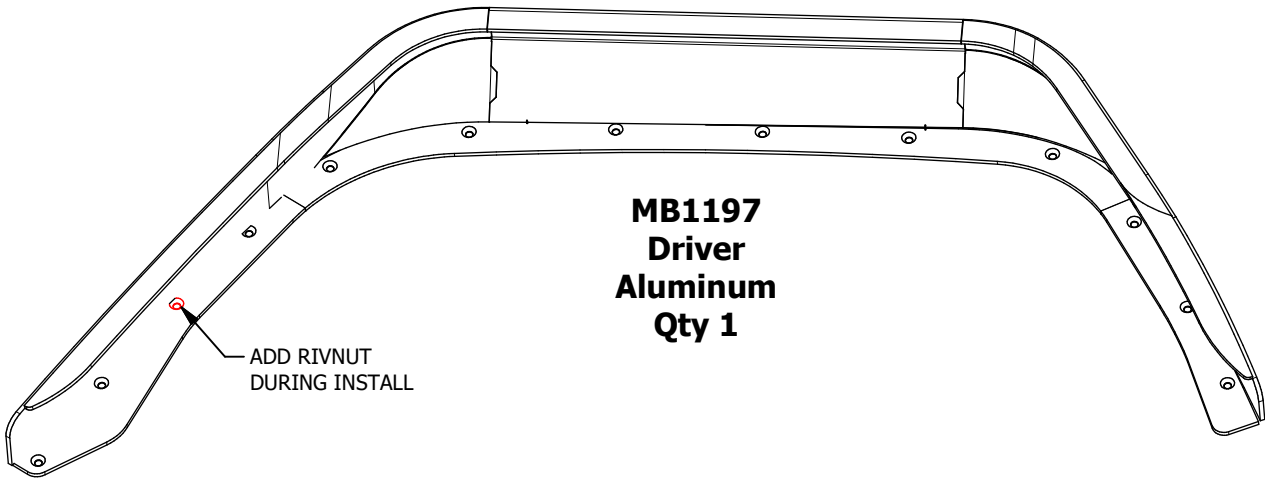


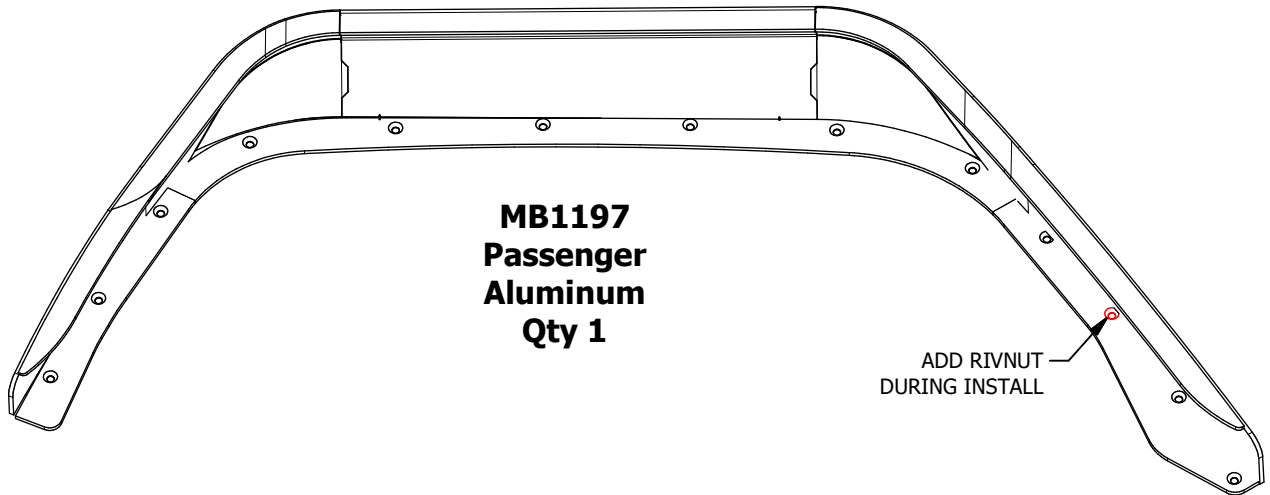
MB1197-A Gladiator Rear Highline Fenders

CONTENTS



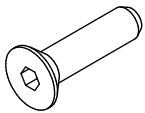
**MB1197
Driver
Aluminum
Qty 1**

ADD RIVNUT
DURING INSTALL



**MB1197
Passenger
Aluminum
Qty 1**

ADD RIVNUT
DURING INSTALL



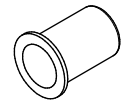
**Countersunk Screw
1/4"-20 x 1" Long
Qty 30
(includes 4 spares)**



**Flat Washer
1/4"
Qty 24**



**Nylock Nut
1/4"-20
Qty 24**



**Rivnut
1/4"-20
Qty 4
(includes 2 spares)**