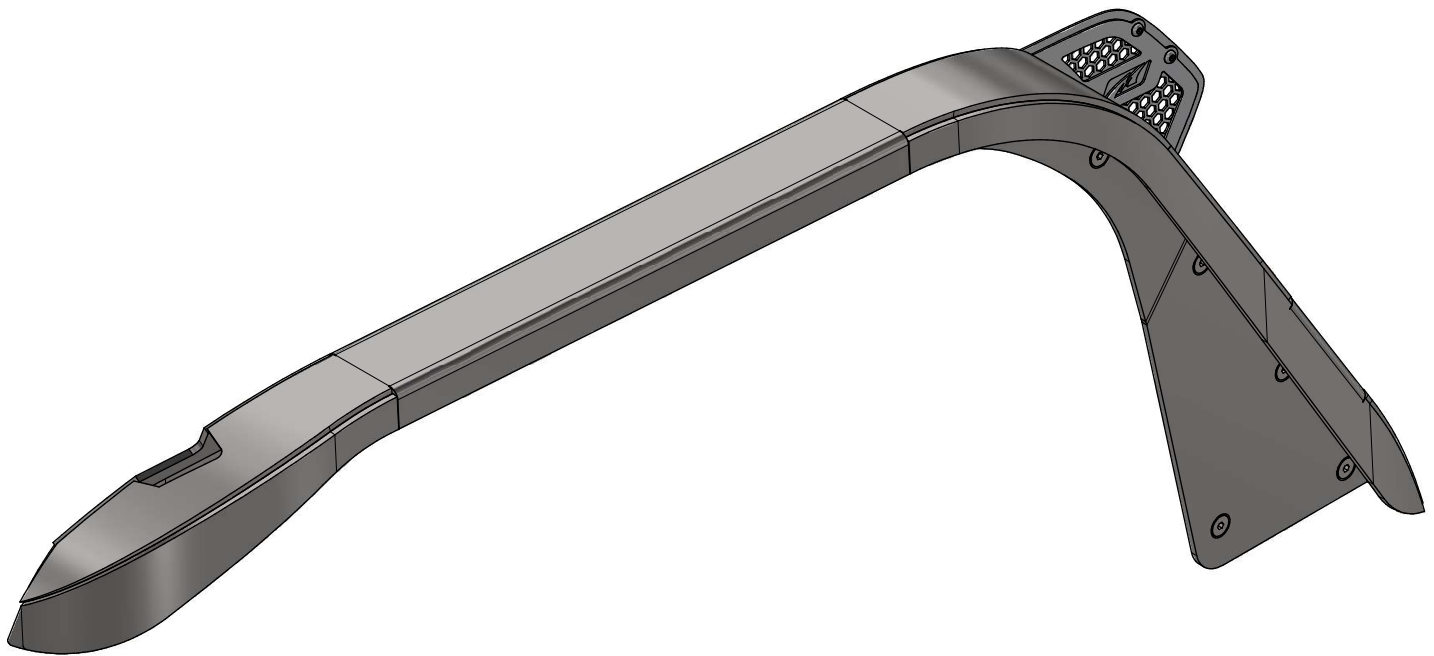


MB1196 - Assembly Instructions JL/JLU/JT Highline Front Fenders

# MB1196 - HIGHLINE FRONT FENDER

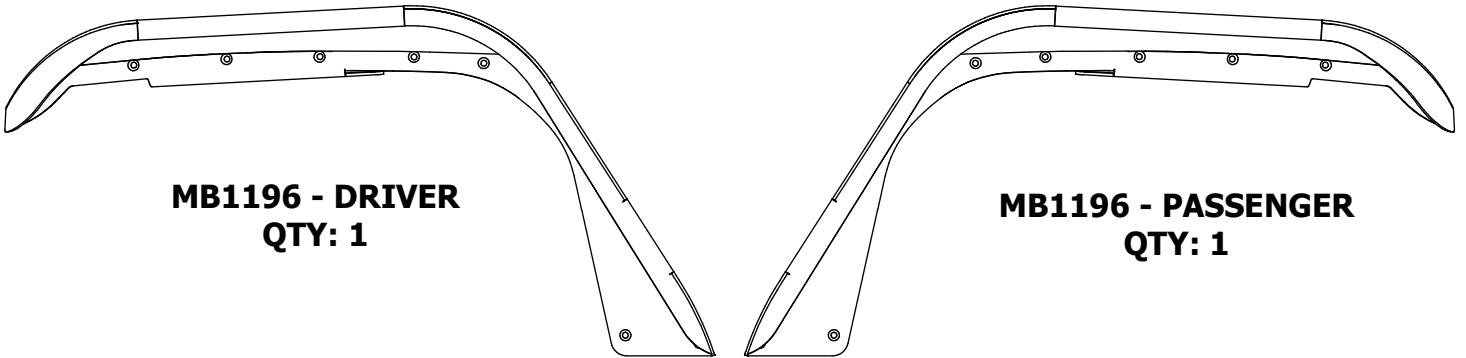
COMPATIBLE WITH JEEP JL/JLU & JT GLADIATOR



## ASSEMBLY INSTRUCTIONS

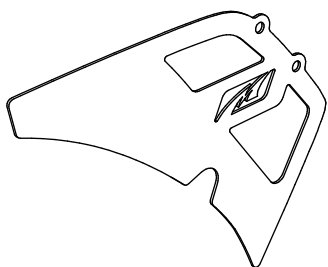
**MB1196 - Assembly Instructions JL/JLU/JT Highline Front Fenders**

**CONTENTS**

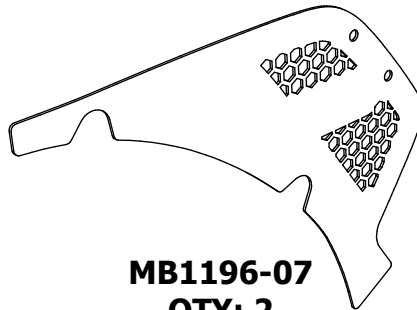


**MB1196 - DRIVER  
QTY: 1**

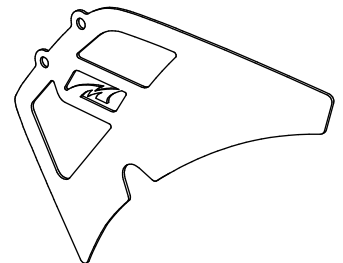
**MB1196 - PASSENGER  
QTY: 1**



**MB1196-08  
QTY: 1**



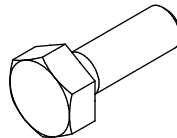
**MB1196-07  
QTY: 2**



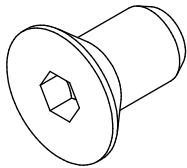
**MB1196-08\_MIR  
QTY: 1**

3/4" CLEAR LENS LED  
FENDER/SIDE MARKER LIGHT  
2 PACK

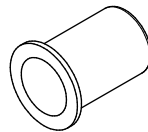
**MB6500  
Qty: 1**



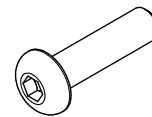
**HEX BOLT  
1/4"-20 x 3/4"  
QTY: 4**



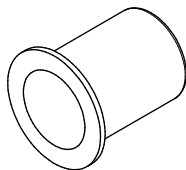
**FLAT SOCKET SS  
5/16"-18 x 3/4"  
QTY: 22**



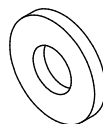
**RIVNUT  
1/4"-20  
QTY: 4**



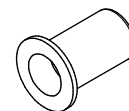
**BUTTON HEAD SS  
#10-24 x .75"  
QTY: 4**



**RIVNUT  
5/16"-18  
QTY: 22**

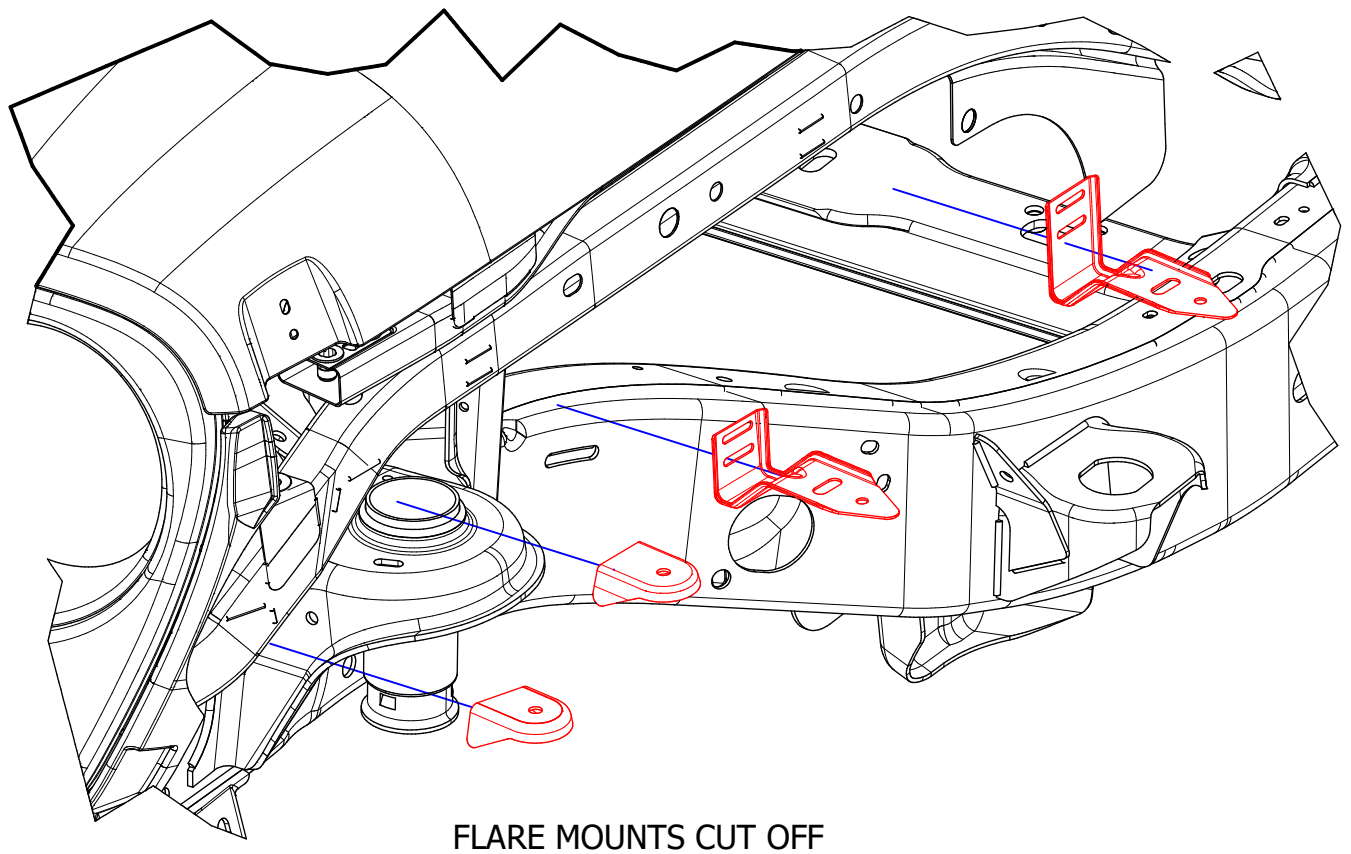
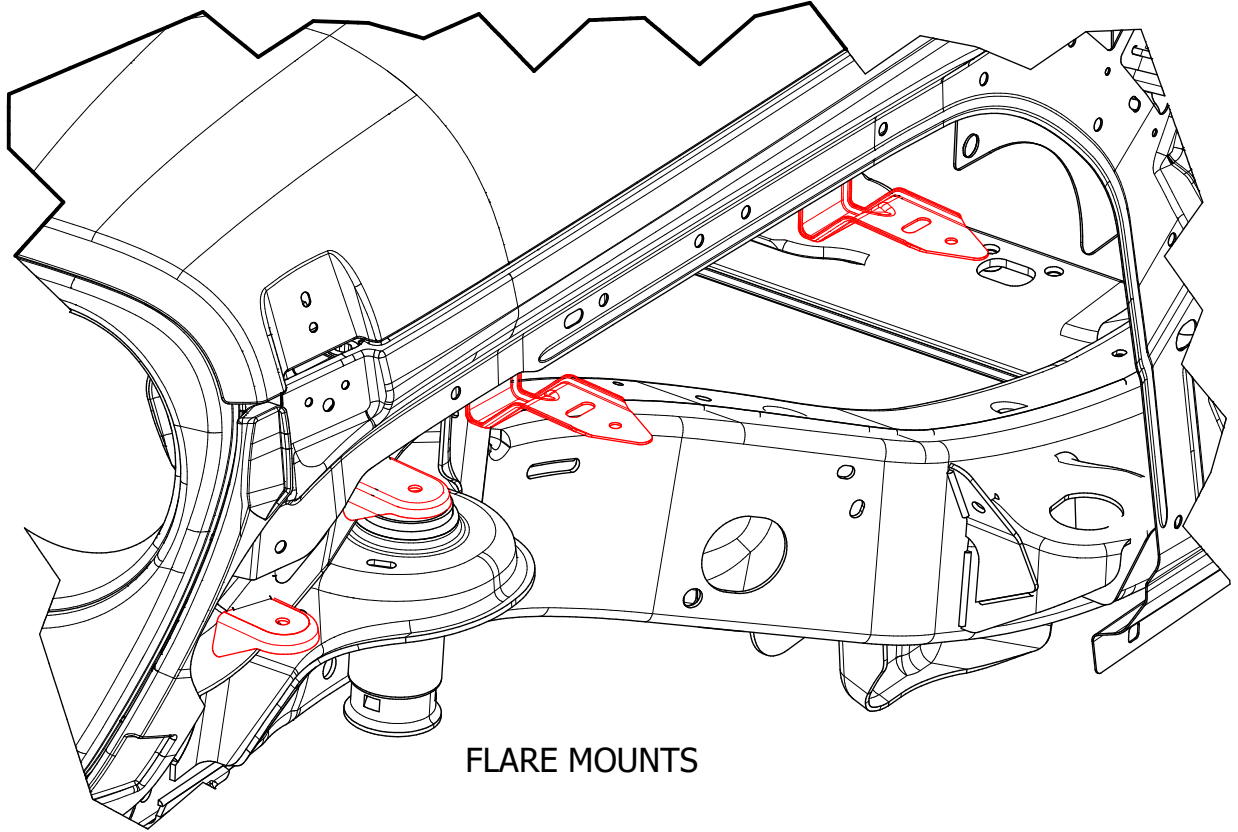


**FLAT WASHER  
1/4"  
QTY: 4**

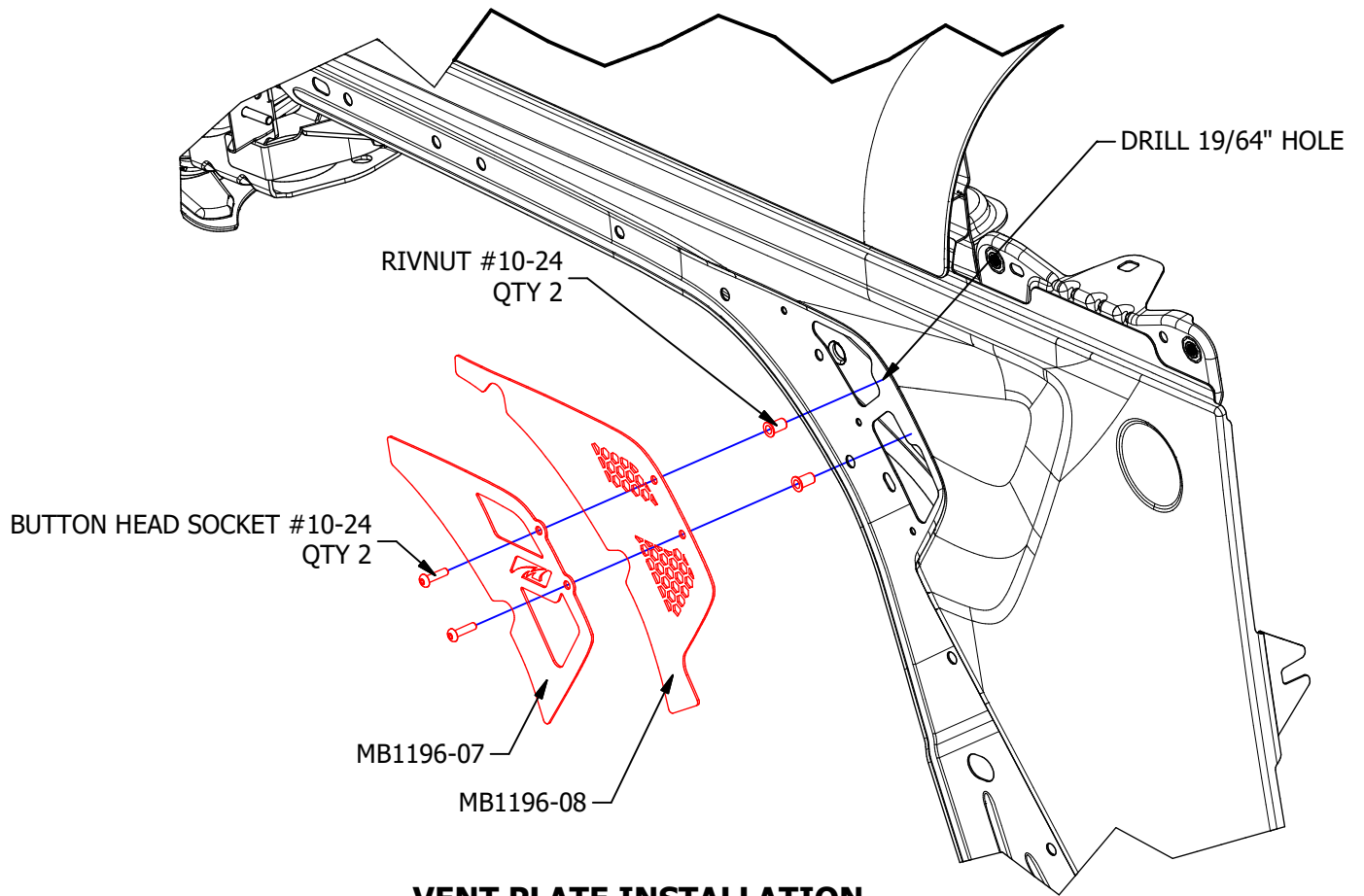


**RIVNUT  
#10-24  
QTY: 4**

**MB1196 - Assembly Instructions JL/JLU/JT Highline Front Fenders**



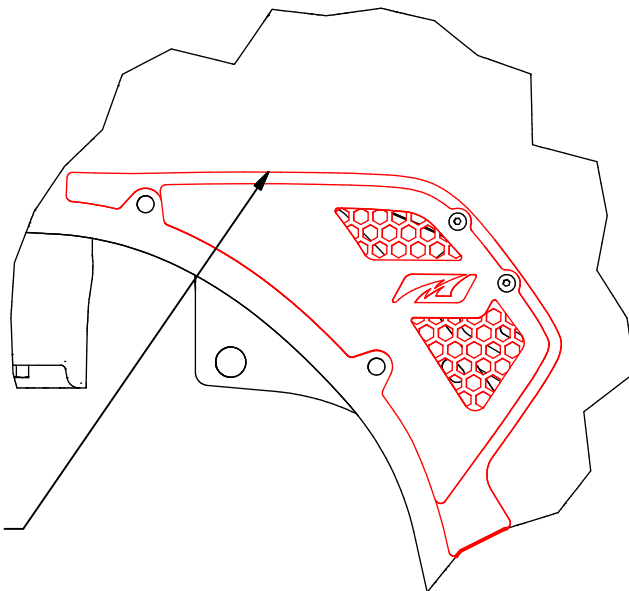
**MB1196 - Assembly Instructions JL/JLU/JT Highline Front Fenders**



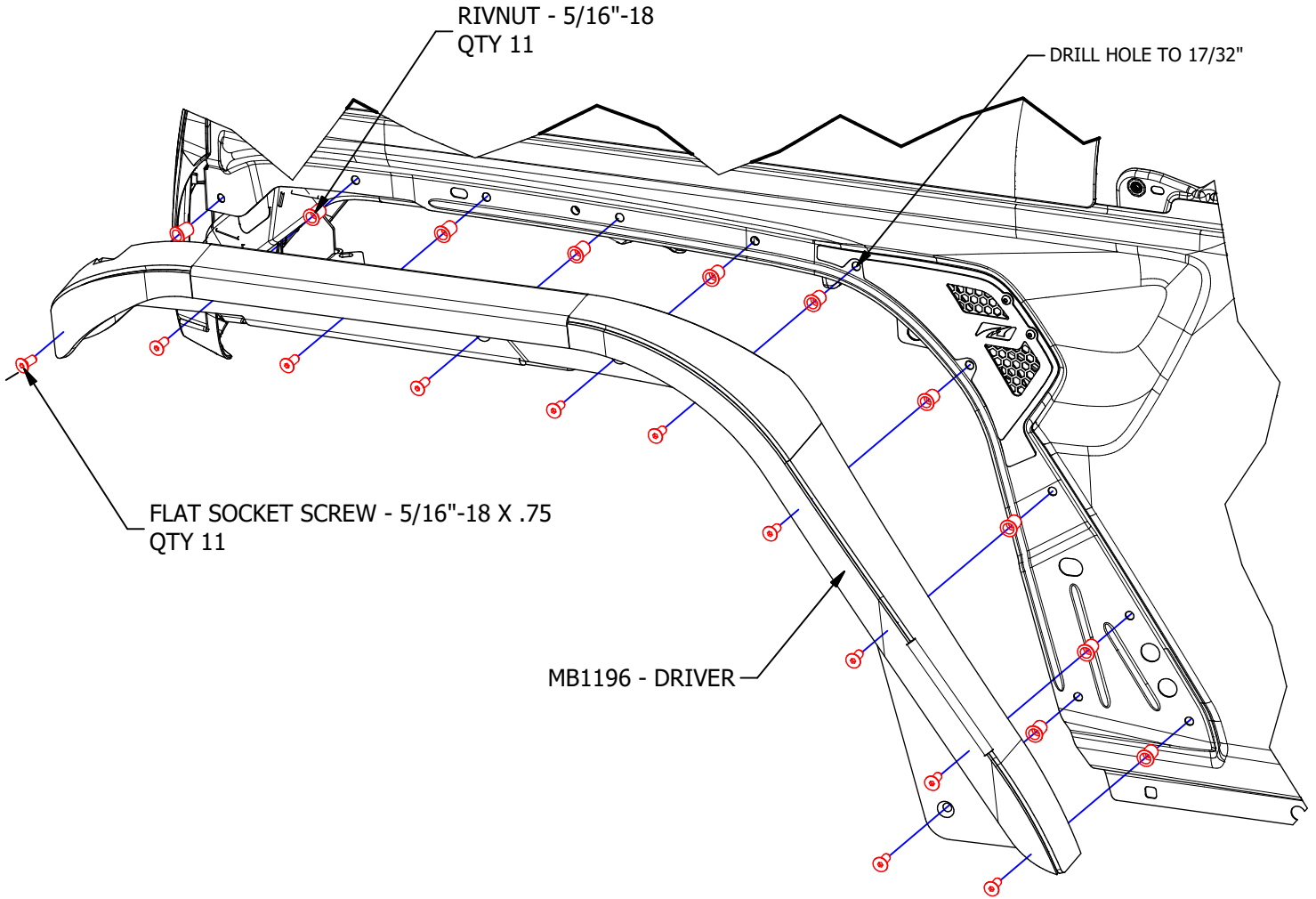
**VENT PLATE INSTALLATION**

HOLD PLATE MB1196-08 ONTO THE JEEP BODY SO IT SHOWS AN EVEN REVEAL. MARK AND DRILL THE TWO HOLES ON THE JEEP BODY FOR THE RIVNUTS USING A 19/64" BIT

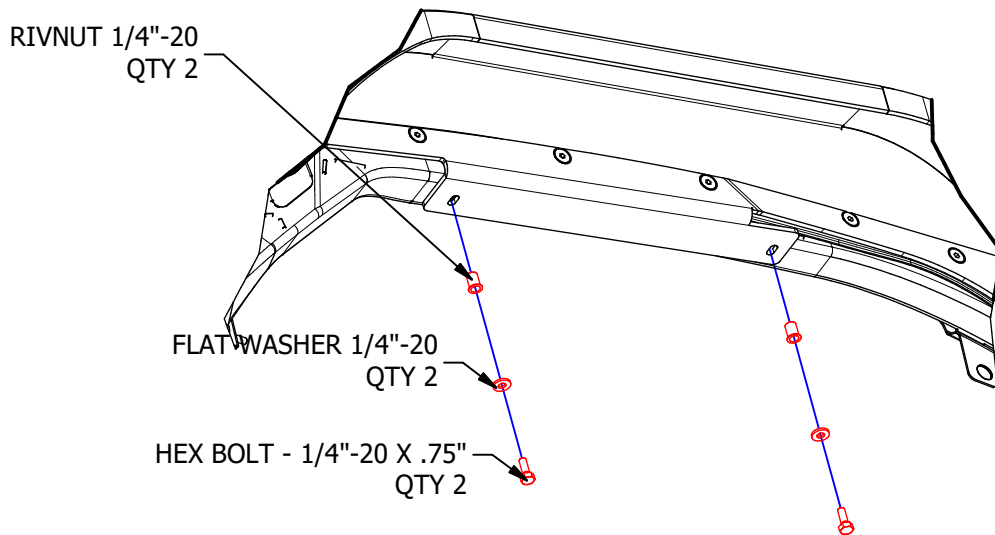
NOTE THE EVEN REVEAL AROUND THE BODY LINE AND MB1196-08



**MB1196 - Assembly Instructions JL/JLU/JT Highline Front Fenders**



**FENDER RIVNUT INSTALL**



**FENDER SUPPORT RIVNUT INSTALL**