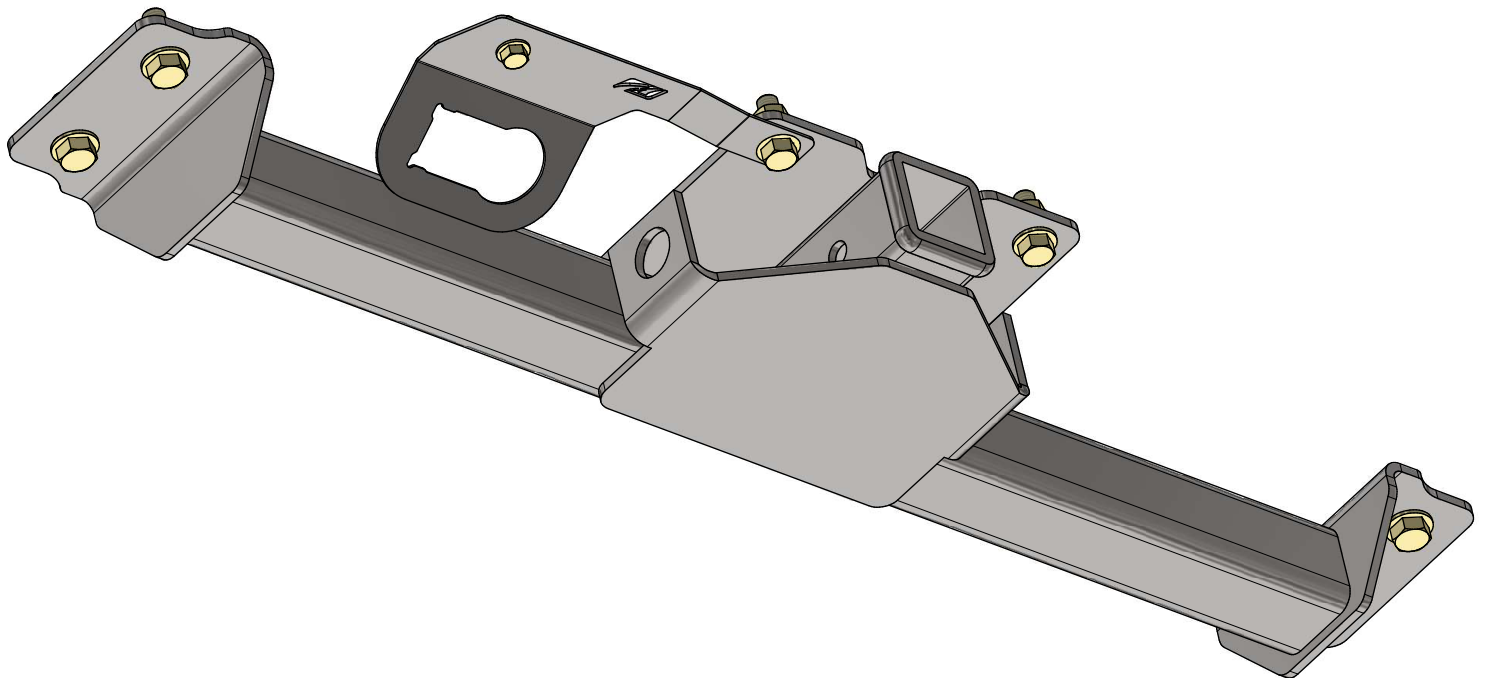
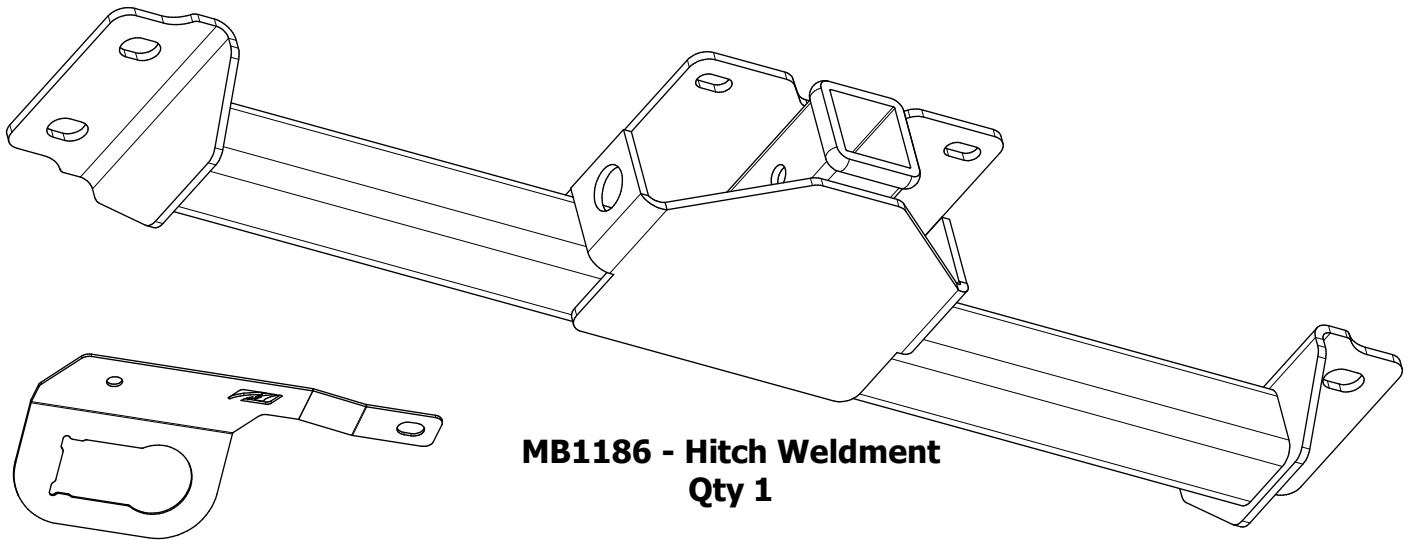


**MB1186 - Assembly Instructions Tow Hitch for MB1185****ASSEMBLY INSTRUCTIONS**

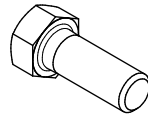
This product is designed to specifically work with Motobilt #MB1185 Gladiator Full Length Replacement Bed ONLY



**MB1186 - Assembly Instructions Tow Hitch for MB1185****CONTENTS**

**MB1186 - Hitch Weldment**  
Qty 1

**MB1186-05**  
**Wiring Mount**  
Qty 1



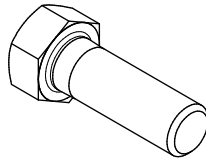
**Hex Bolt**  
**3/8\"-16 x 1\" Long**  
Qty 1



**Flat Washer**  
**3/8\"**  
Qty 2



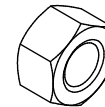
**Nylock Nut**  
**3/18\"-16**  
Qty 1



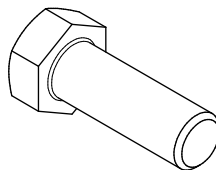
**Hex Bolt**  
**1/2\"-13 x 1-1/2\" Long**  
Qty 2



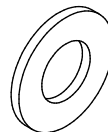
**Flat Washer**  
**1/2\"**  
Qty 4



**Nylock Nut**  
**1/2\"-13**  
Qty 2



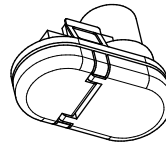
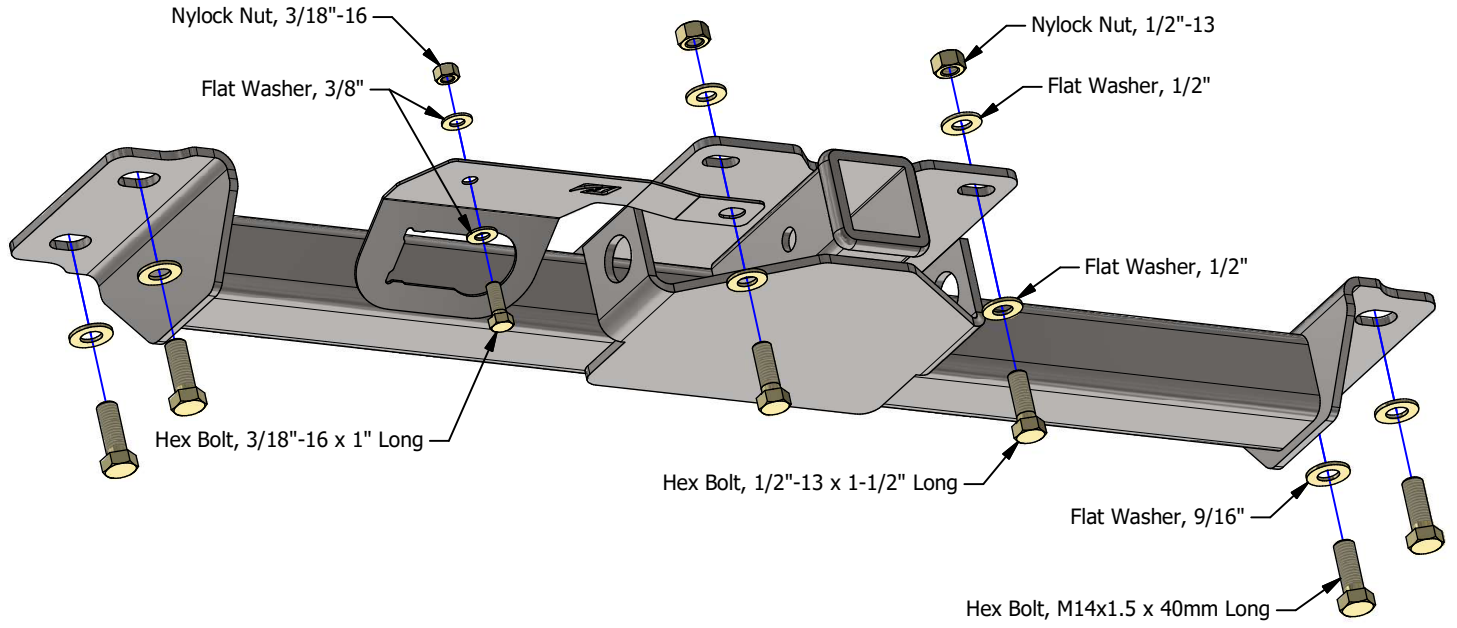
**Hex Bolt**  
**M14x1.5 x 40mm Long**  
Qty 4



**Flat Washer**  
**9/16\"**  
Qty 4

**MB1185 - Assembly Instructions JT Gladiator Long Bed**

**ASSEMBLY**



**Factory Wiring Connector**

