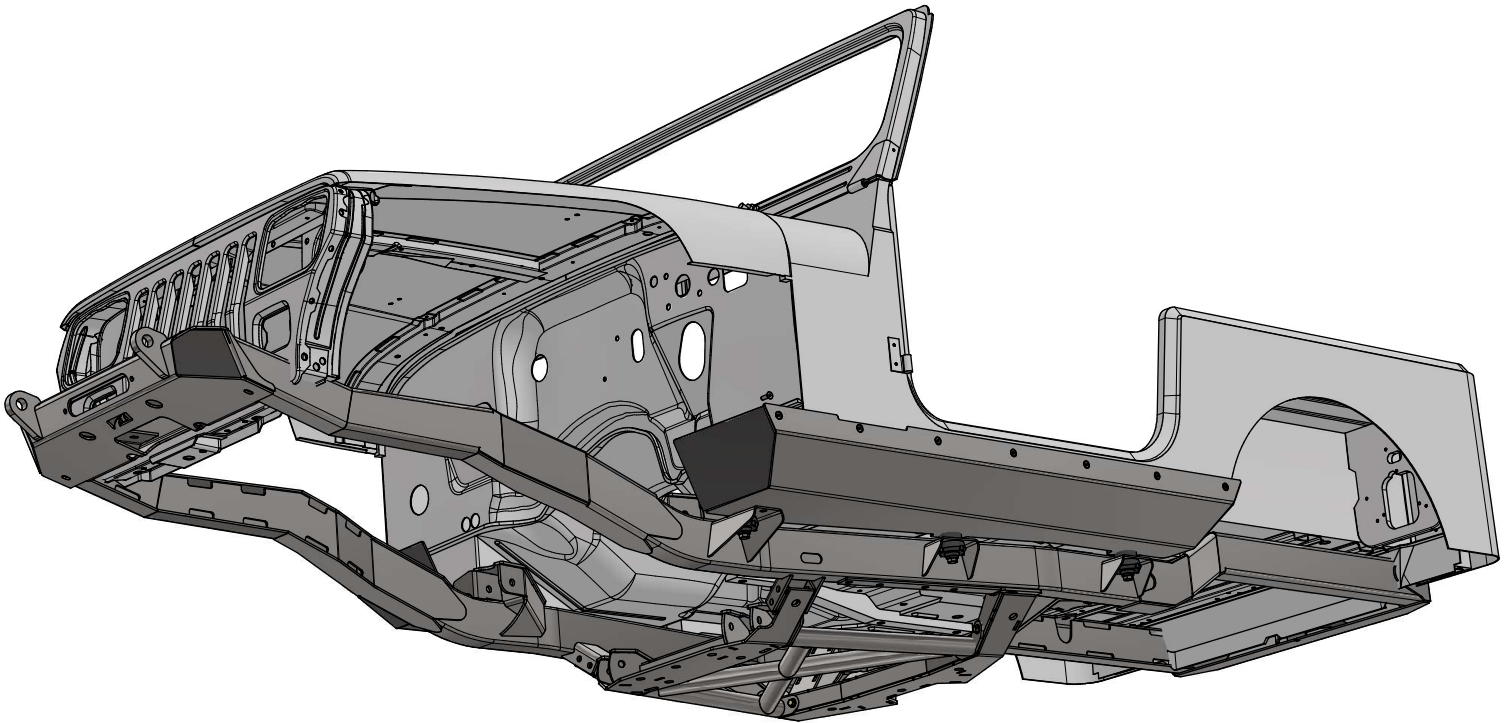


YJ BOAT SIDE ROCKERS

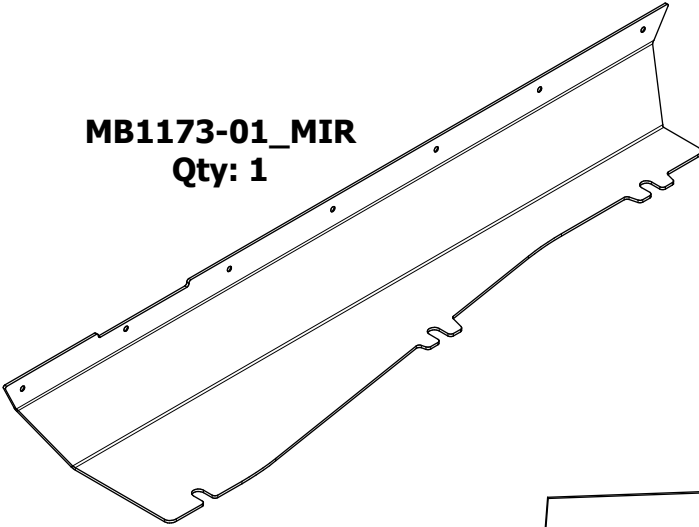


ASSEMBLY INSTRUCTIONS

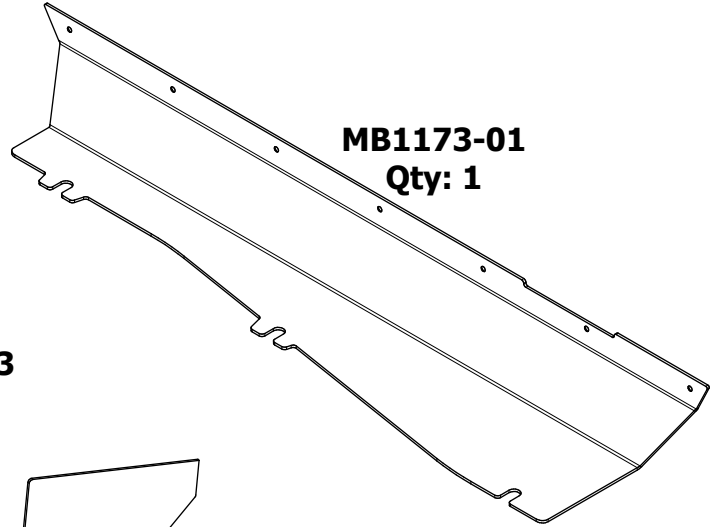
MB1173 - Assmeby Instructions YJ Boat Side Rockers

KIT COMPONENT

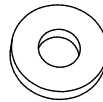
MB1173-01_MIR
Qty: 1



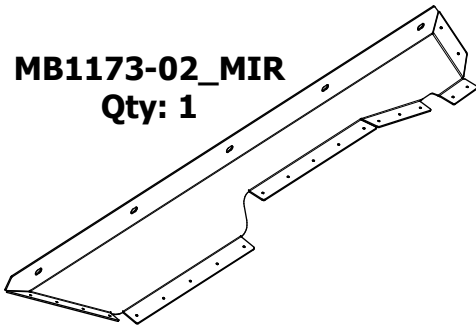
MB1173-01
Qty: 1



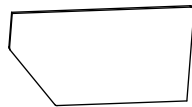
MB1173-03
Qty: 2



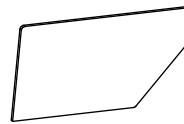
MB1173-02_MIR
Qty: 1



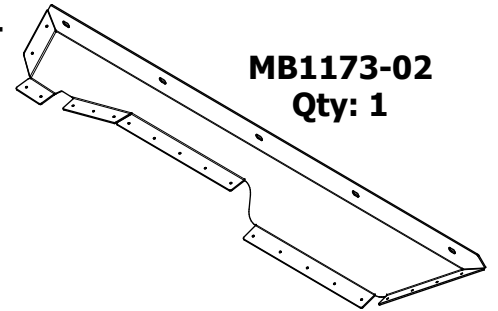
MB1173-04_MIR
Qty: 1



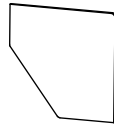
MB1173-04
Qty: 1



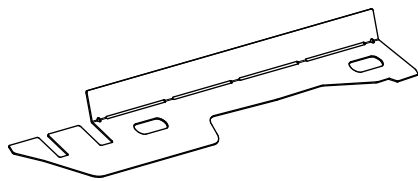
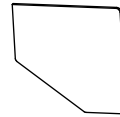
MB1173-02
Qty: 1



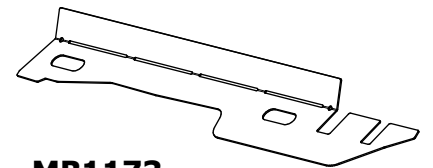
MB1173-05_MIR
Qty: 1



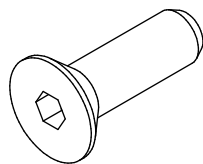
MB1173-05
Qty: 1



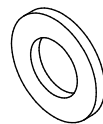
MB1173
CUTTING GUIDE PASSENGER
Qty: 1



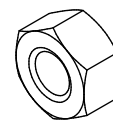
MB1173
CUTTING GUIDE DRIVER
Qty: 1



COUNTER SUNK BOLT
5/16"-18 x 1"
Qty: 14



FLAT WASHER
5/16"
Qty: 14



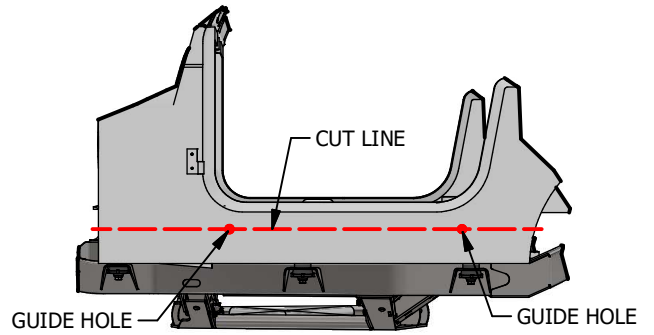
NYLOCK NUT
5/16"-18
Qty: 14

MB1173 - Assmeby Instructions YJ Boat Side Rockers

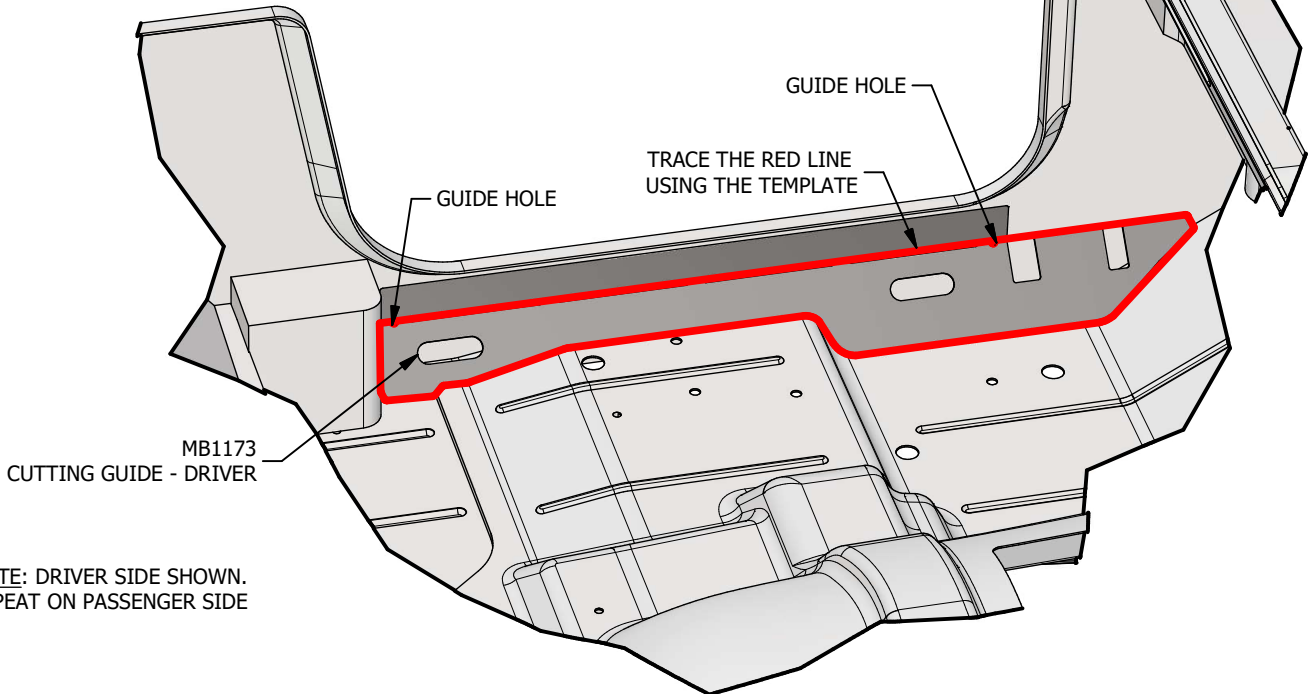
BODY MODIFICATION

INSERT THE CUTTING GUIDE TEMPLATE SO THAT IT IS FLUSH TO THE BODY OF THE VEHICLE.

MB1173 - CUTTING GUIDE-DRIVER



WITH THE TEMPLATE SECURED IN PLACE, DRILL TWO HOLES THROUGH THE GUILD HOLES IN THE TEMPLATE. THEN FROM THE OUTSIDE OF THE VEHICLE, HOLD A STRAIGHT EDGE BETWEEN THE TWO HOLES TO ASSIST WITH CUTTING FROM THE OUTSIDE.

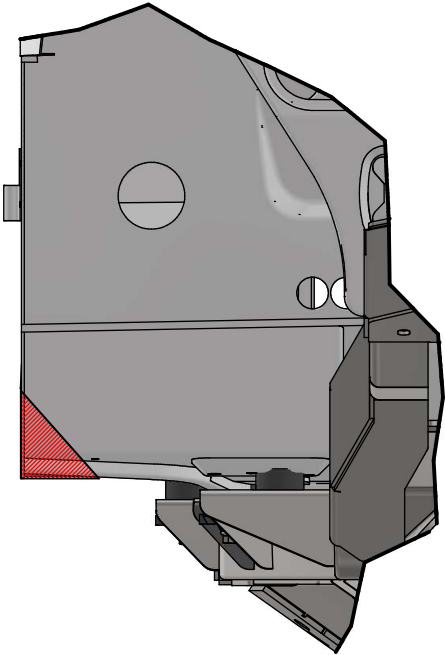
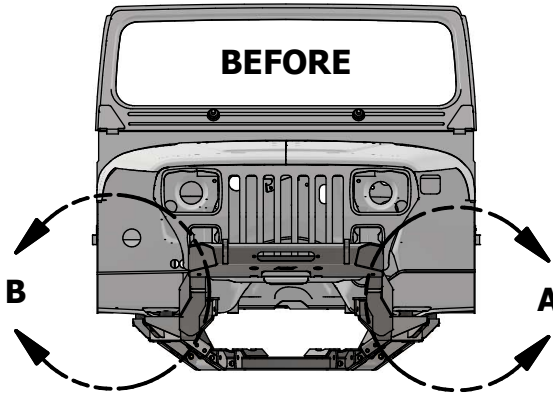


NOTE: DRIVER SIDE SHOWN.
REPEAT ON PASSENGER SIDE

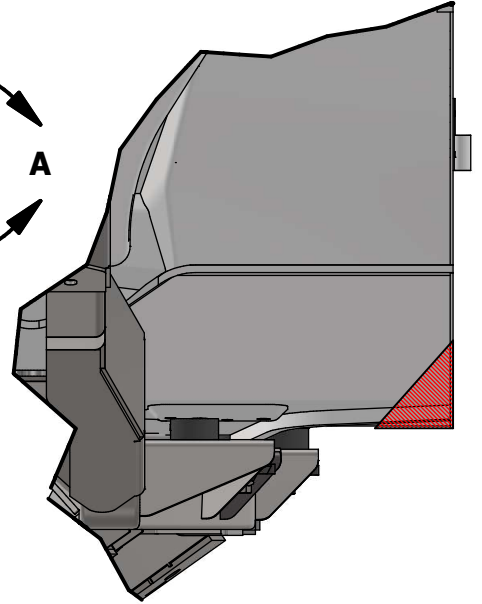
MB1173 - Assmeby Instructions YJ Boat Side Rockers

BODY MODIFICATION

BEFORE



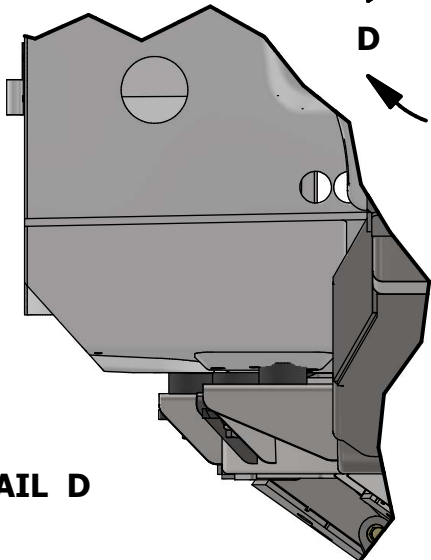
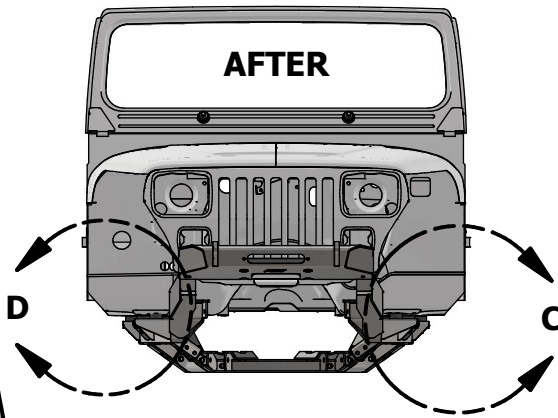
DETAIL B



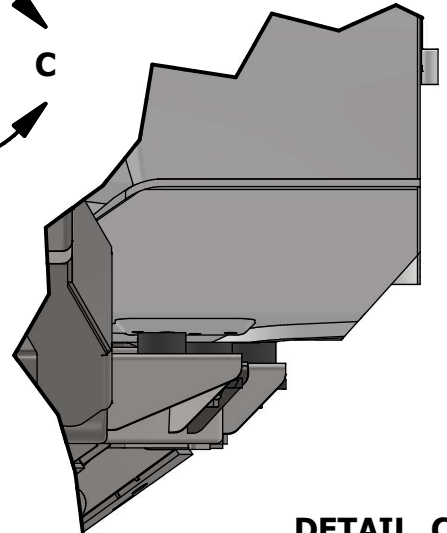
DETAIL A

CUT THE AREA HIGHLIGHTED IN RED THROUGH THE ENTIRE LENGTH OF THE BODY. SEE NEXT PAGE FOR SIDE VIEW

AFTER



DETAIL D

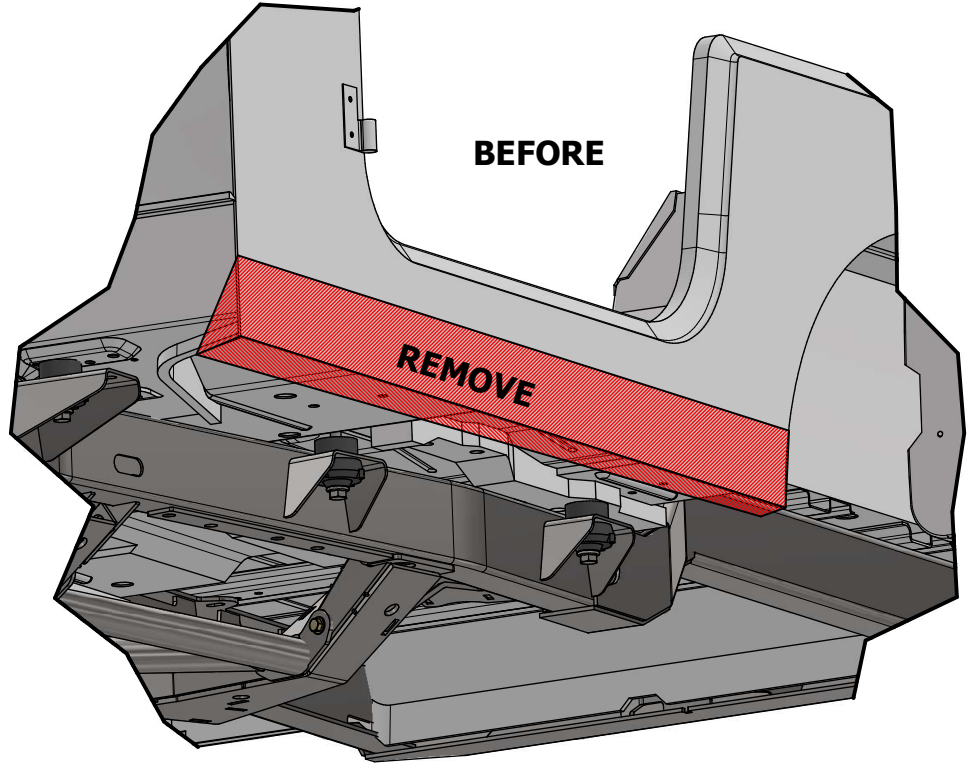


DETAIL C

MB1173 - Assmeby Instructions YJ Boat Side Rockers

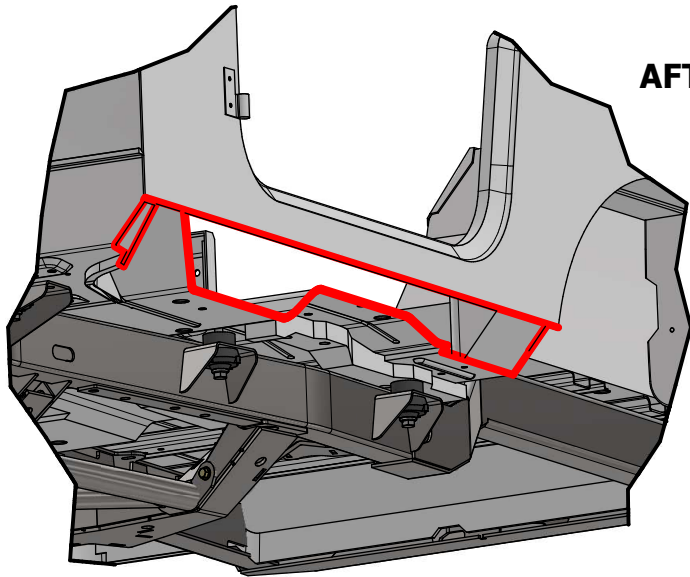
BODY MODIFICATION

CUT THE BODY BASED OFF THE PROVIDED TEMPLATE. BE SURE TO TAKE YOUR TIME AND CUT WITH CARE.

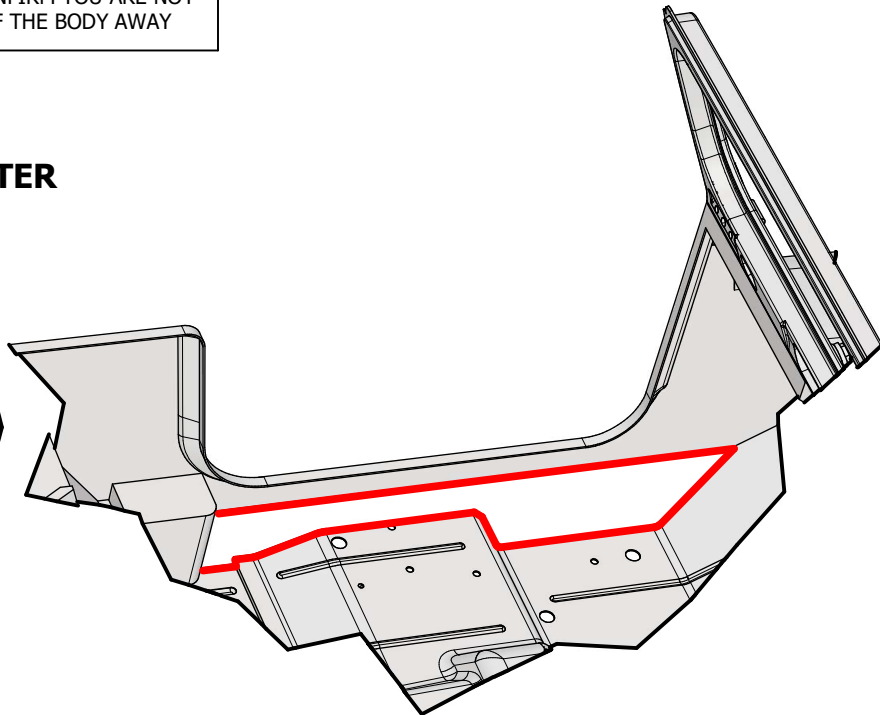


NOTE: DRIVER SIDE SHOWN. REPEAT ON PASSENGER SIDE

MOCK UP MB1173-02 INTO PLACE BEFORE AND DURING CUTTING TO CONFIRM YOU ARE NOT CUTTING TOO MUCH OF THE BODY AWAY



AFTER

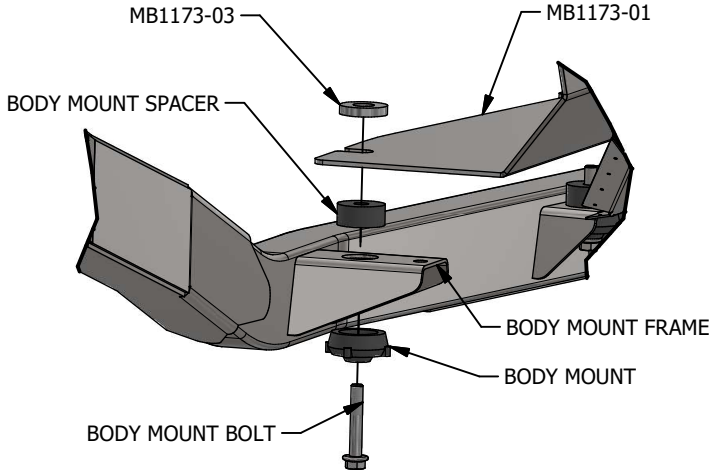


OUTSIDE

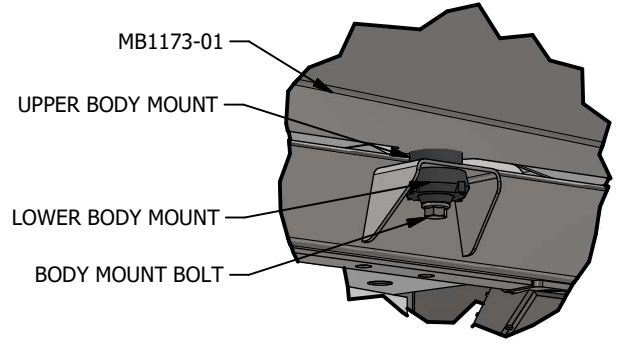
INSIDE

MB1173 - Assmeby Instructions YJ Boat Side Rockers

FITMENT



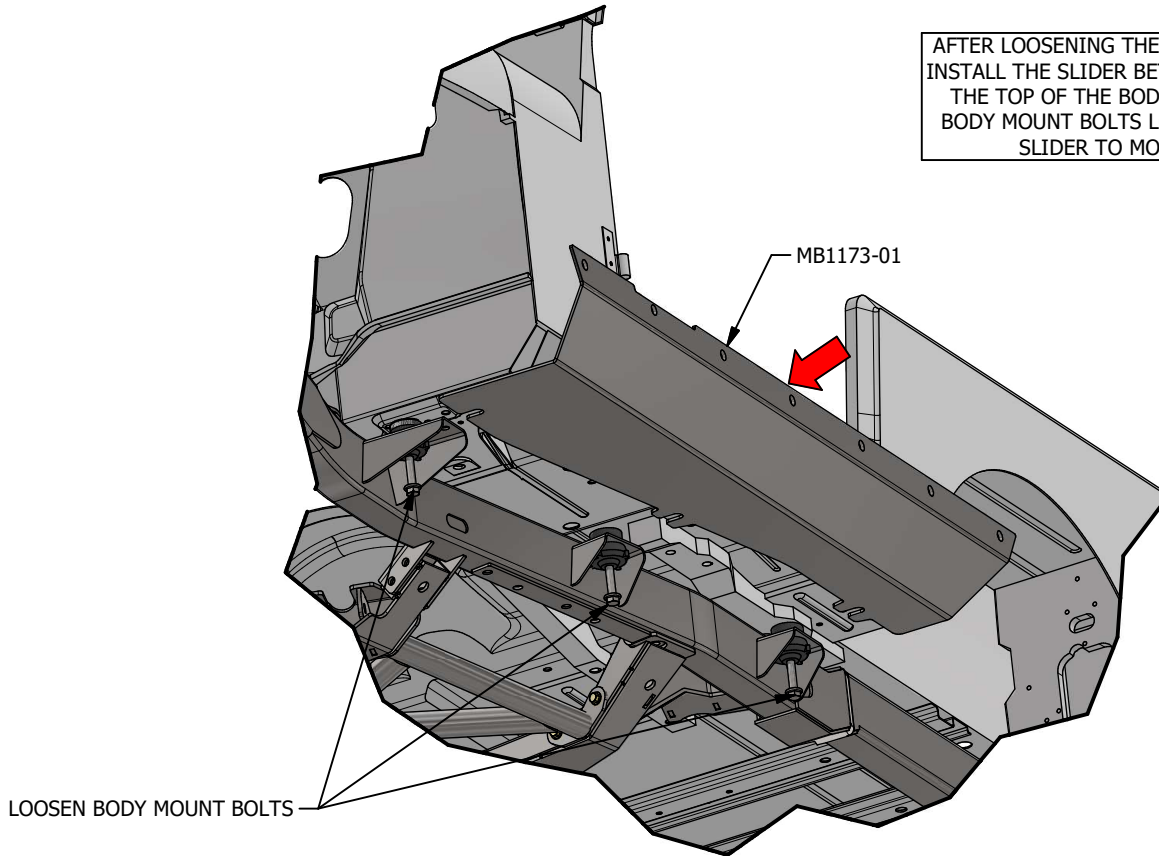
FRONT MOUNT



MIDDLE/REAR MOUNT

ONLY THE FORWARD BODY MOUNTS
USE THE MB1173-03 SPACER

AFTER LOOSENING THE BODY MOUNT BOLTS,
INSTALL THE SLIDER BETWEEN THE BODY AND
THE TOP OF THE BODY MOUNT. KEEP THE
BODY MOUNT BOLTS LOOSE TO ALLOW THE
SLIDER TO MOVE AROUND.



MB1173 - Assmeby Instructions YJ Boat Side Rockers

FITMENT



FRONT

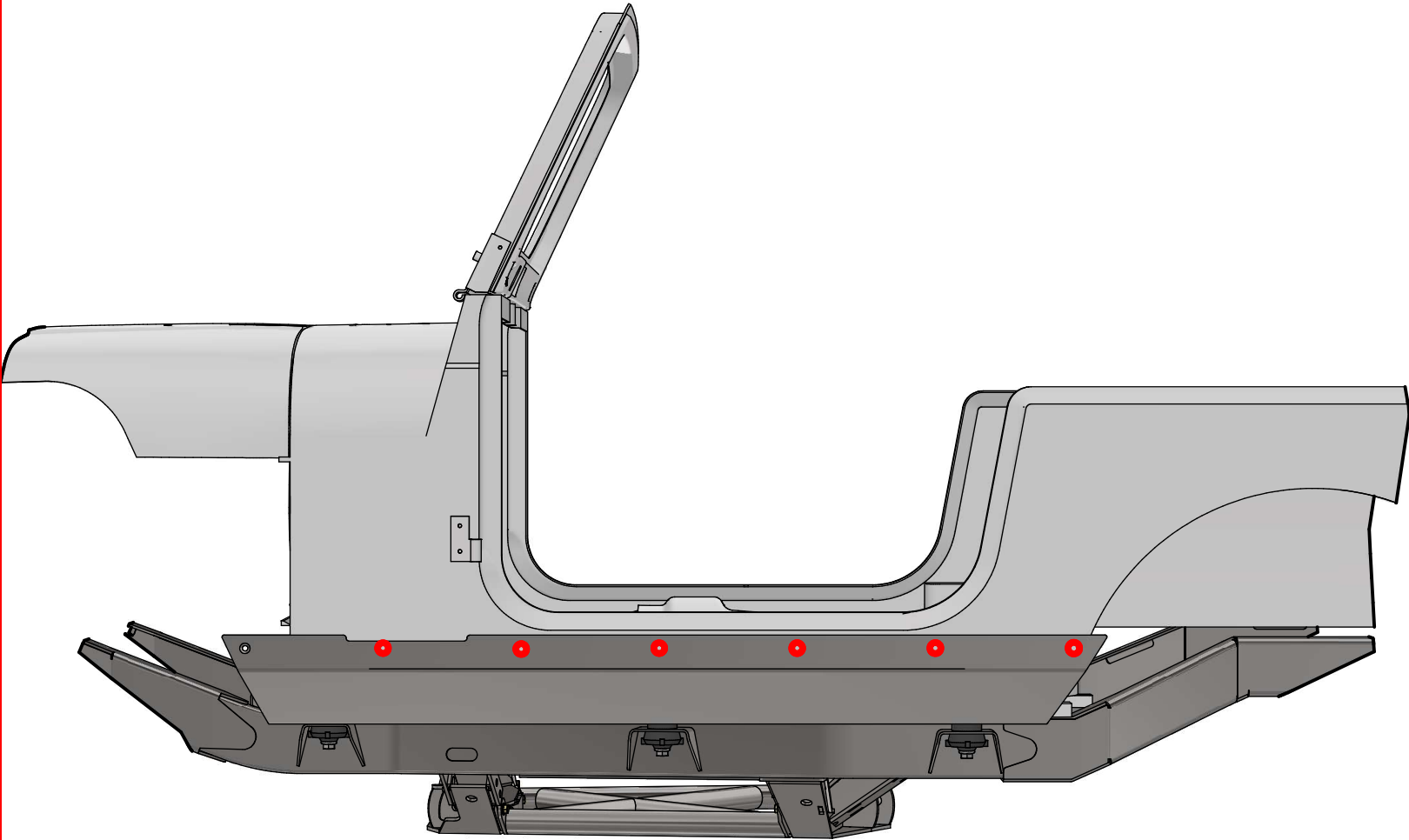
MB1173-02

MB1173-02_MIR

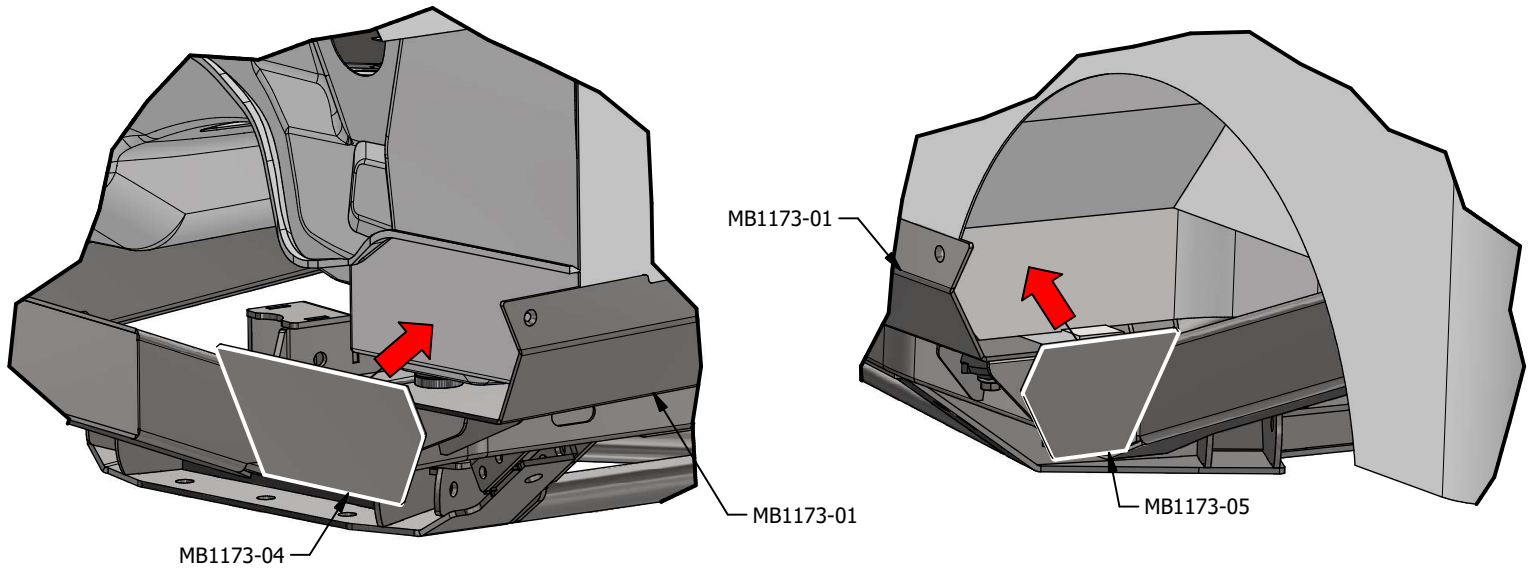
PLACE MB1173-02 INSIDE THE VEHICLE AND CONFIRM THAT THE BOLT HOLES ARE ALIGNED WITH THE BOLT HOLES ON MB1173-01.

ALIGN THE HOLES CIRCLED IN RED WITH THE HOLES ON MB1173-01

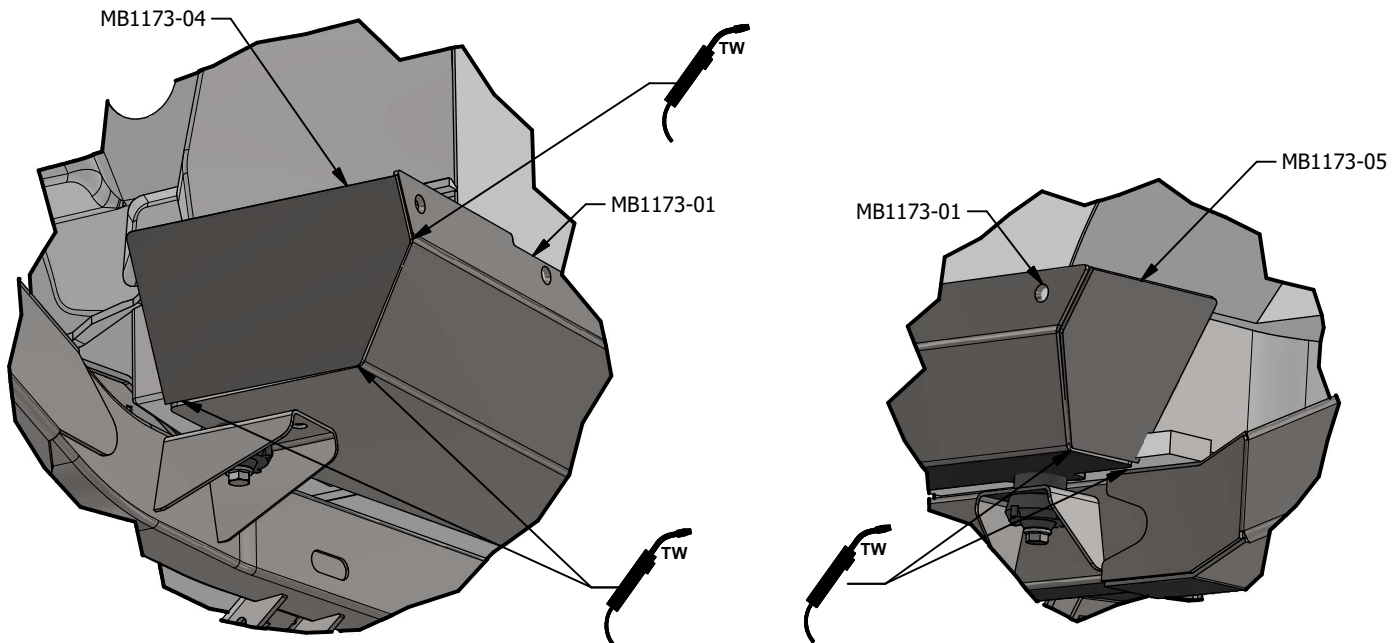
MB1173-02

MB1173 - Assmeby Instructions YJ Boat Side Rockers**DRILLING**

WITH THE SLIDER IN PLACE MARK THE FIVE HOLES ON THE BODY.
REMOVE THE SLIDER AND DRILL OUT THE FIVE HOLES PREVIOUSLY
CIRCLED FOR 5/16" BOLTS. REPEAT ON PASSENGER SIDE

MB1173 - Assmeby Instructions YJ Boat Side Rockers**END PLATE FITMENT**

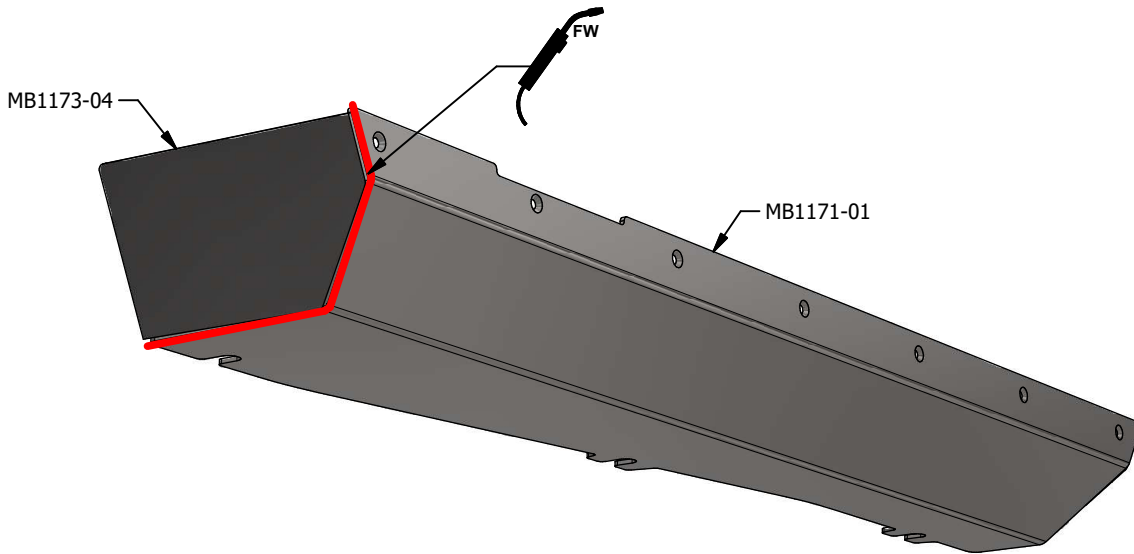
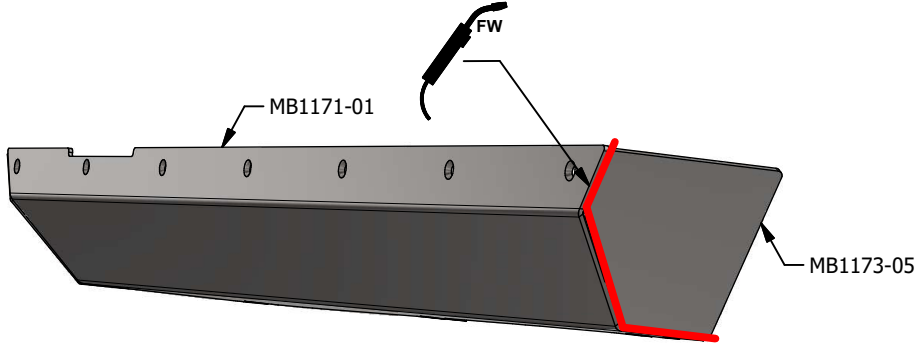
ALWAYS REMOVE THE NEGATIVE TERMINAL OF THE BATTERY BEFORE WELDING ON THE VEHICLE. WITH PLATE MB1173-01 SECURED IN PLACE, FIT AND TACK WELD THE END CAPS MB1173-04 AND MB1173-05 IN PLACE. THE DRIVER SIDE IS SHOWN, REPEAT THE SAME PROCESS ON THE PASSENGER SIDE WITH THE MIRRORED COMPONENTS



MB1173 - Assmeby Instructions YJ Boat Side Rockers

END PLATE WELD-OUT

WITH THE SLIDER REMOVED FROM THE VEHICLE, WELD MB1173-04 AND MB1173-05 TO MB1173-01. WELD THE HIGHLIGHTED AREAS IN RED. THE DRIVER SIDE IS SHOWN, REPEAT THE PROCESS ON THE PASSENGER SIDE WITH THE MIRRORED COMPONENTS.

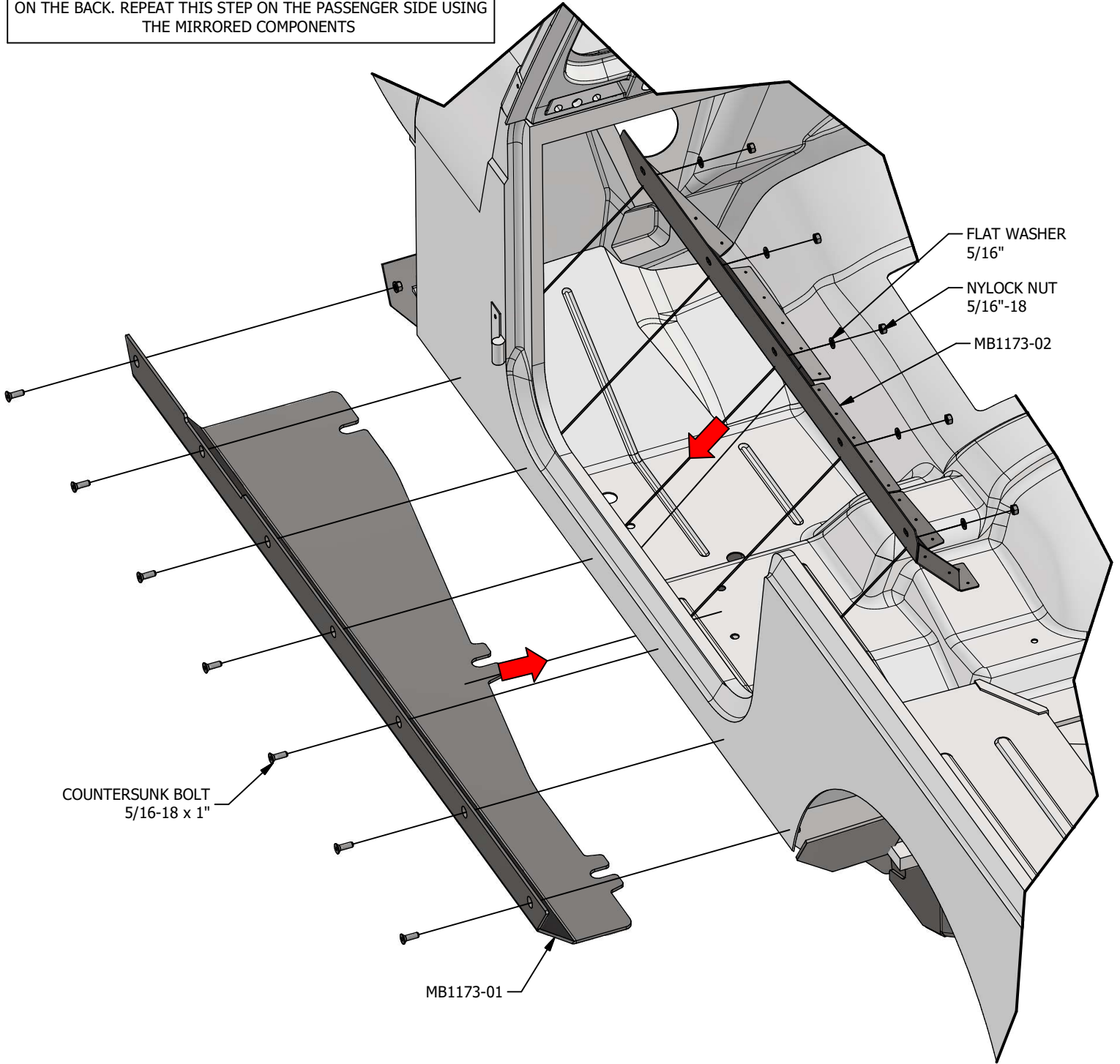


RE-INSTALL THE SLIDER AFTER WELDING

MB1173 - Assmeby Instructions YJ Boat Side Rockers

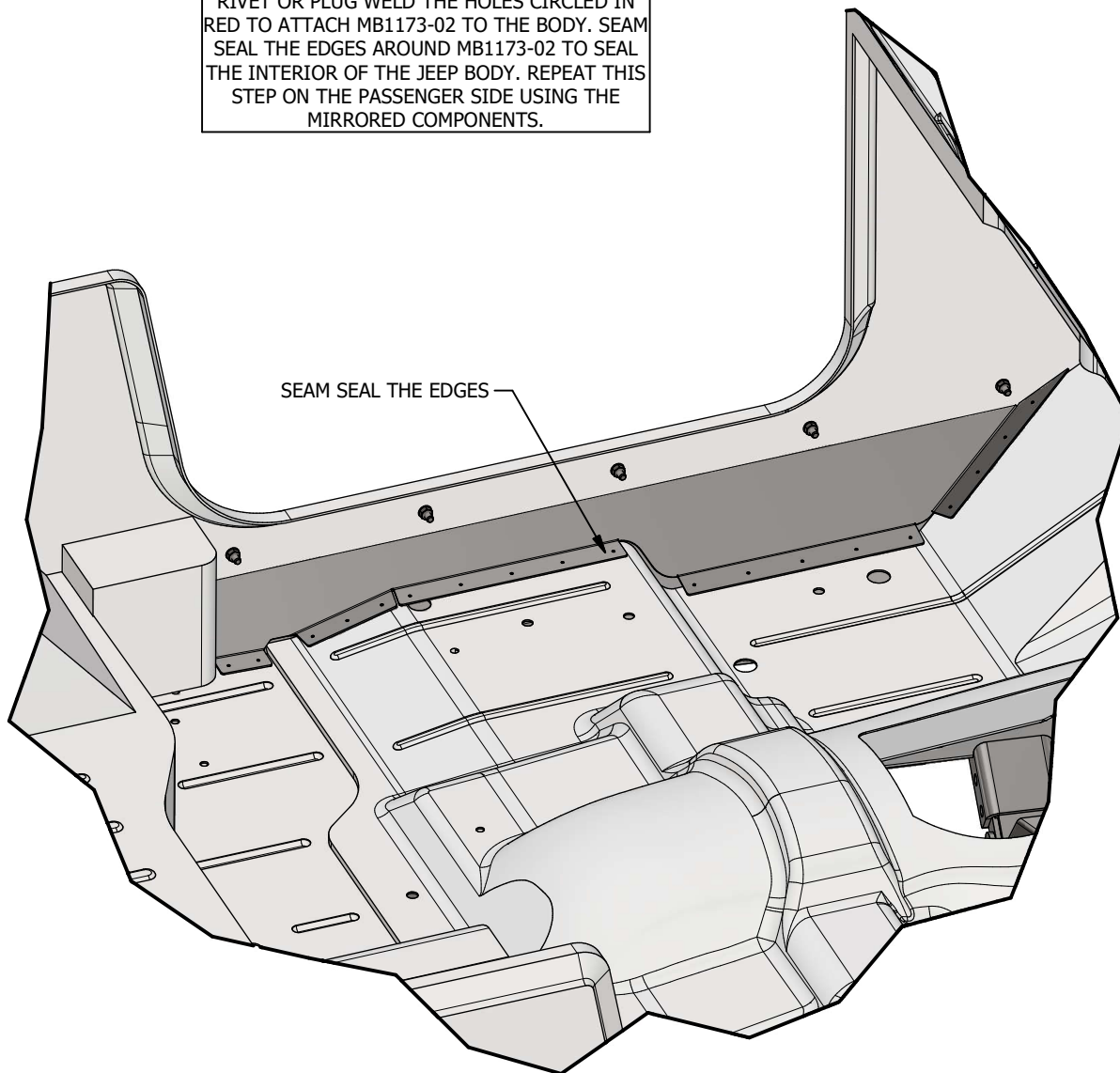
FINISH INSTALL

INSTALL THE MB1173 SLIDER ASSEMBLY BACK ONTO THE VEHICLE BY SLIDING BACK ON TOP OF THE BODY MOUNT BUSHINGS, BUT DO NOT TIGHTEN. NEXT INSTALL THE SLIDER ASSEMBLY AND MB1173-02 INTERIOR PANEL TO THE VEHICLE BODY USING SEVEN 5/16" COUNTER SUNK BOLTS WITH WASHERS AND NYLOCK NUTS ON THE BACK. REPEAT THIS STEP ON THE PASSENGER SIDE USING THE MIRRORED COMPONENTS



MB1173 - Assmeby Instructions YJ Boat Side Rockers**FINISH INSTALL**

RIVET OR PLUG WELD THE HOLES CIRCLED IN RED TO ATTACH MB1173-02 TO THE BODY. SEAM SEAL THE EDGES AROUND MB1173-02 TO SEAL THE INTERIOR OF THE JEEP BODY. REPEAT THIS STEP ON THE PASSENGER SIDE USING THE MIRRORED COMPONENTS.



WITH ALL THE PARTS INSTALLED YOU, PAINT AND/OR POWDER COAT ALL EXPOSED METAL TO PROTECT IT FROM CORROSION. YOU MAY NEED TO REMOVE THE SLIDER FROM THE VEHICLE TO ACCESS THE BACK SIDE OF THE MB1173-02 INTERIOR PANEL.