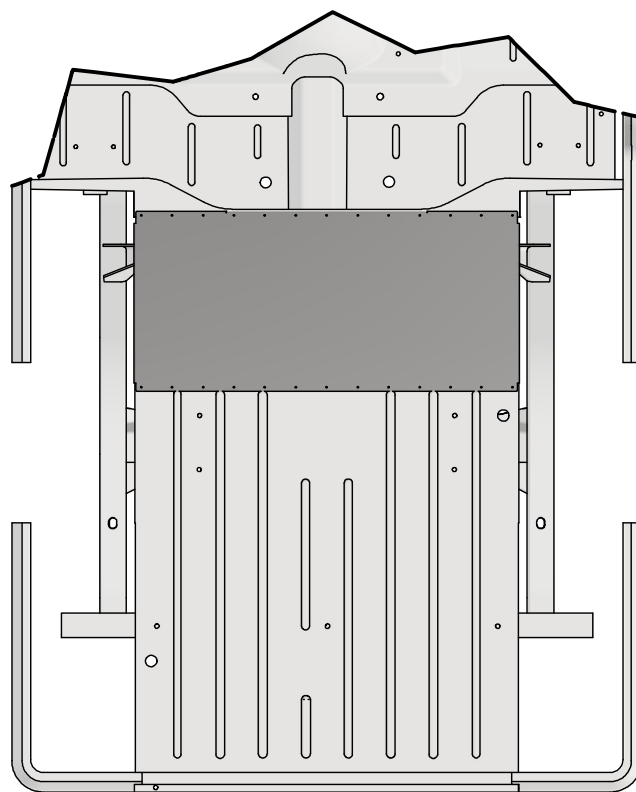


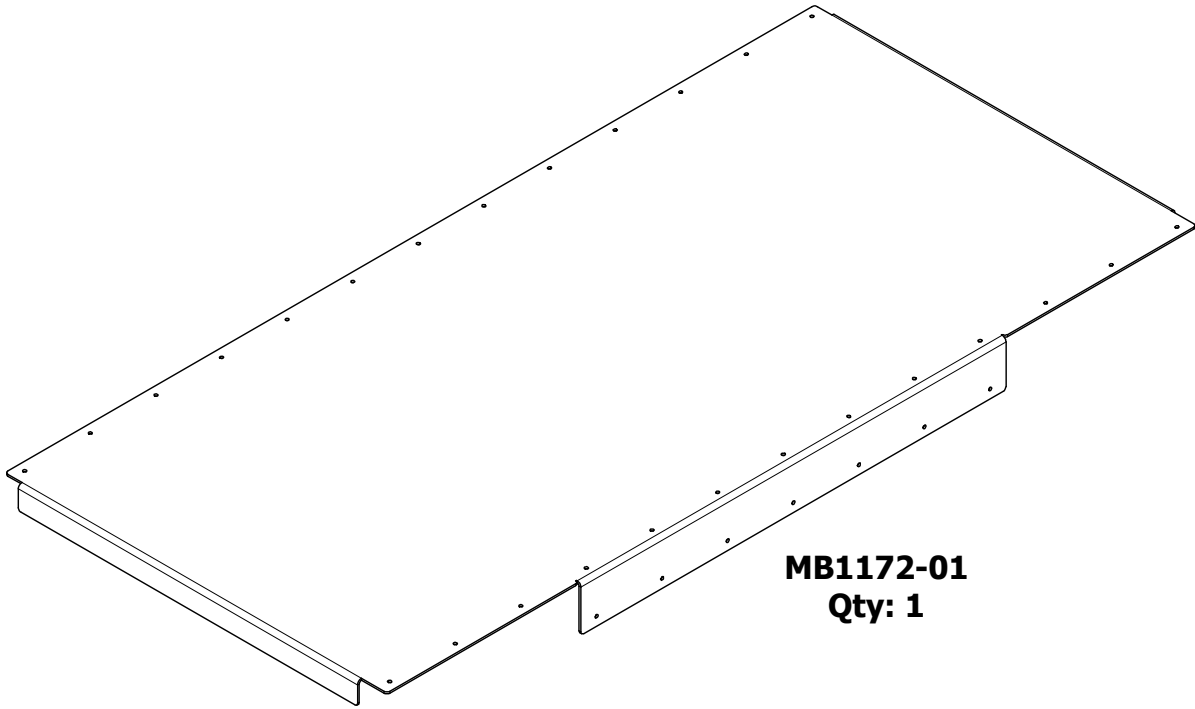
15" STRETCH FLOOR PANEL - YJ



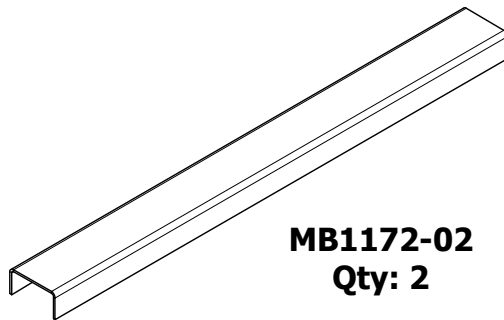
INSTALLATION INSTRUCTIONS

MB1172 - Installation Instructions 15in Stretch Floor Panel - YJ

KIT COMPONENTS



MB1172-01
Qty: 1

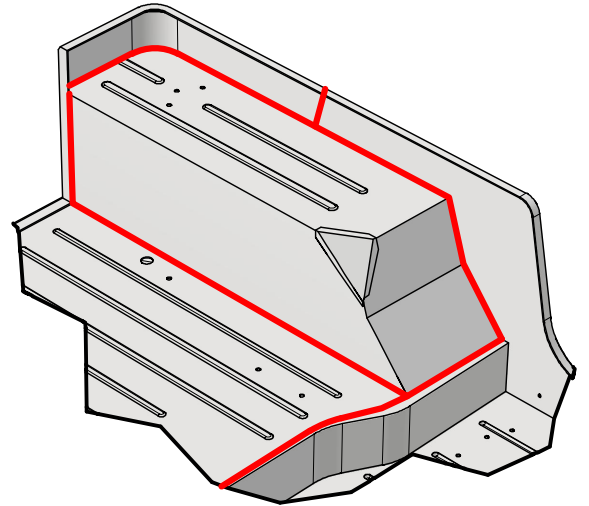
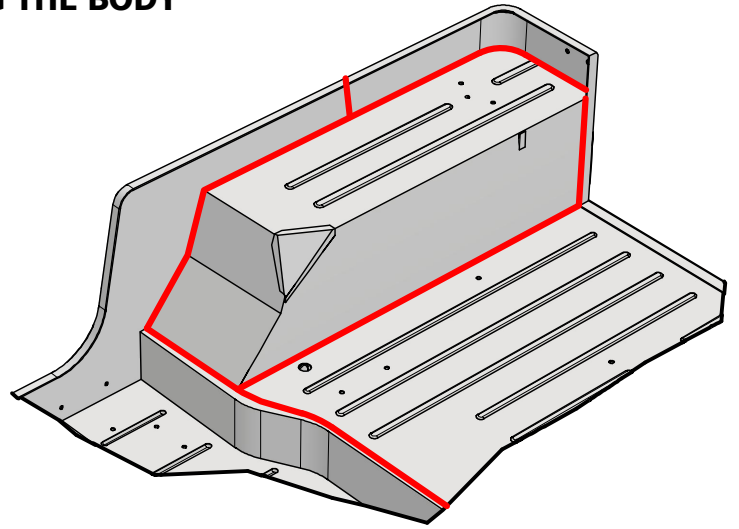
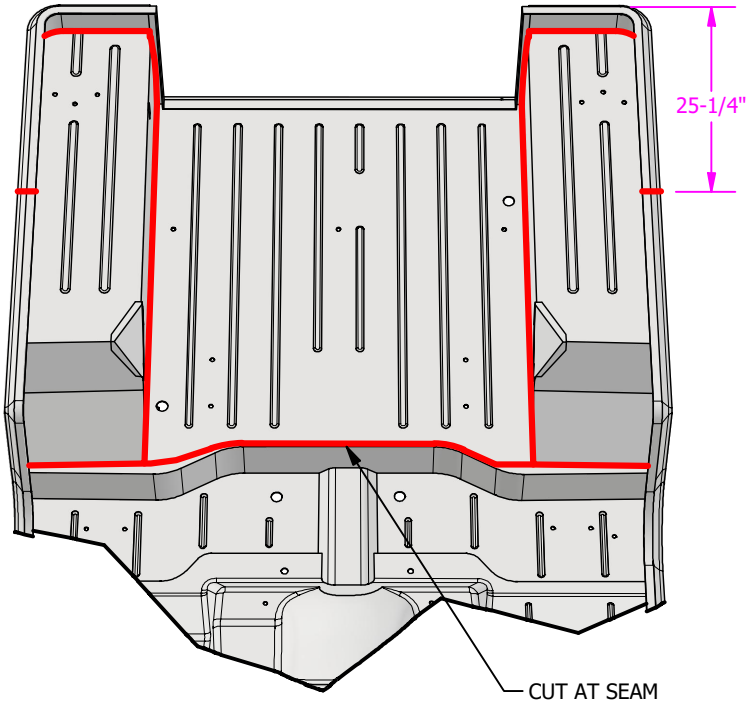


MB1172-02
Qty: 2

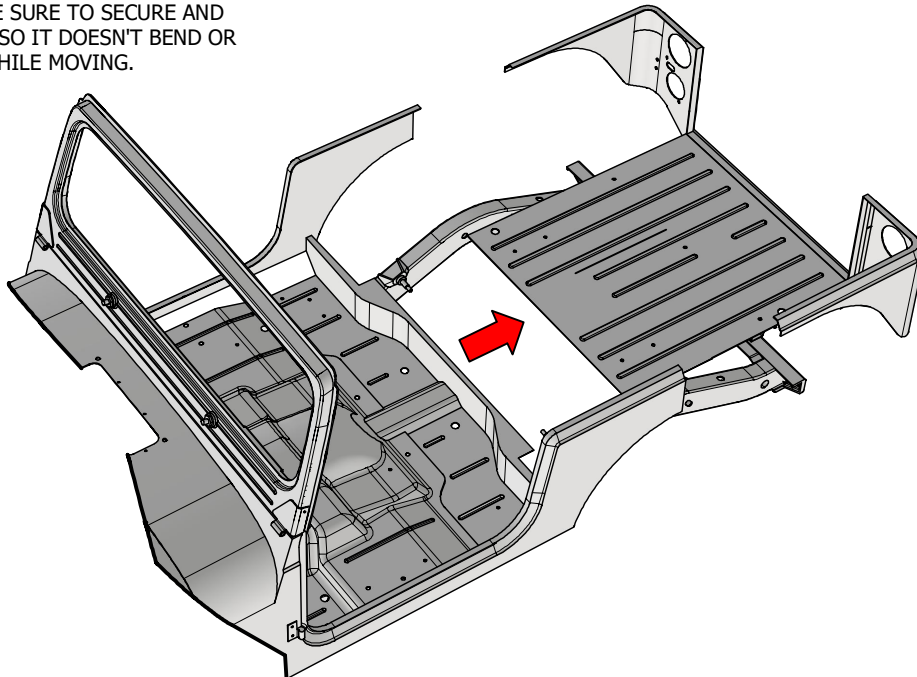
MB1172 - Installation Instructions 15in Stretch Floor Panel - YJ

SEPARATING THE BODY

CUT THE BODY AT THE RED LINES TO SEPARATE THE FRONT FROM THE BACK. REMOVE THE INNER FENDERS THEN TAKE THE BACK HALF OF THE BODY AND MOVE IT BACK FIFTEEN (15) INCHES.



MOVE THE BACK OF THE BODY BACK FIFTEEN (15) INCHES. MAKE SURE TO SECURE AND STIFFEN THE BODY SO IT DOESN'T BEND OR TWIST WHILE MOVING.



MB1172 - Installation Instructions 15in Stretch Floor Panel - YJ

ASSEMBLY

