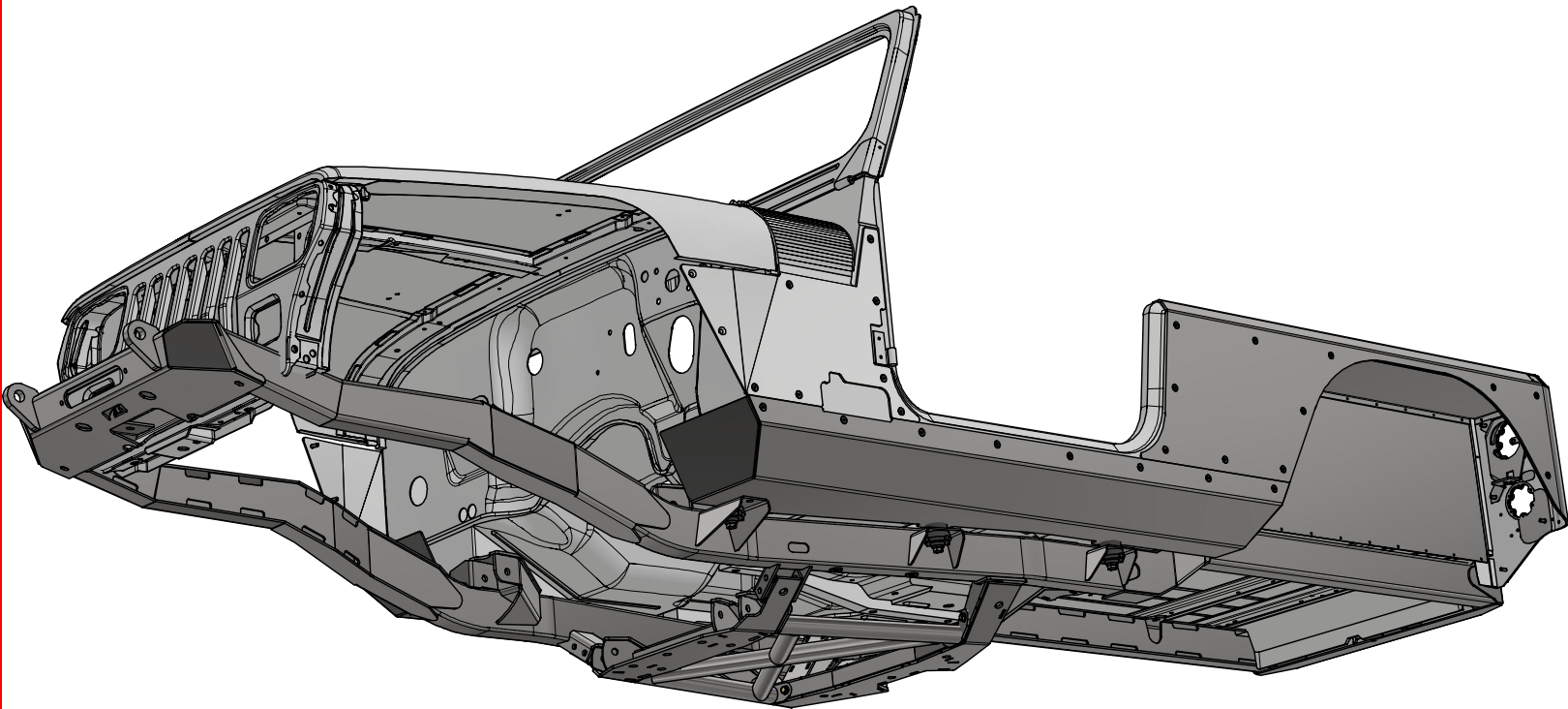


YJ 15" STRETCH BOAT SIDE ROCKERS



ASSEMBLY INSTRUCTIONS

MB1171 - Assembly Instructions YJ 15' Stretch Boat Side Rockers

KIT COMPONENTS

MB1171-01_MIR
Qty: 1

MB1171-01
Qty: 1

MB1171-02_MIR
Qty: 1

MB1171-02
Qty: 1

MB1171-04
Qty: 2

MB1171-05
Qty: 1

MB1171-05_MIR
Qty: 1

MB1171-06
Qty: 1

MB1171-06_MIR
Qty: 1

MB1171-03_MIR
Qty: 1

MB1171-03
Qty: 1

**MB1171 - CUTTING GUIDE
PASSENGER**
Qty: 1

**MB1171 - CUTTING GUIDE
DRIVER**
Qty: 1

COUNTER SUNK BOLT
5/16"-18 x 1"
Qty: 16

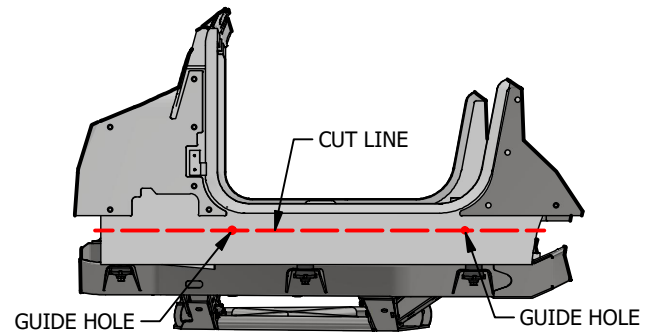
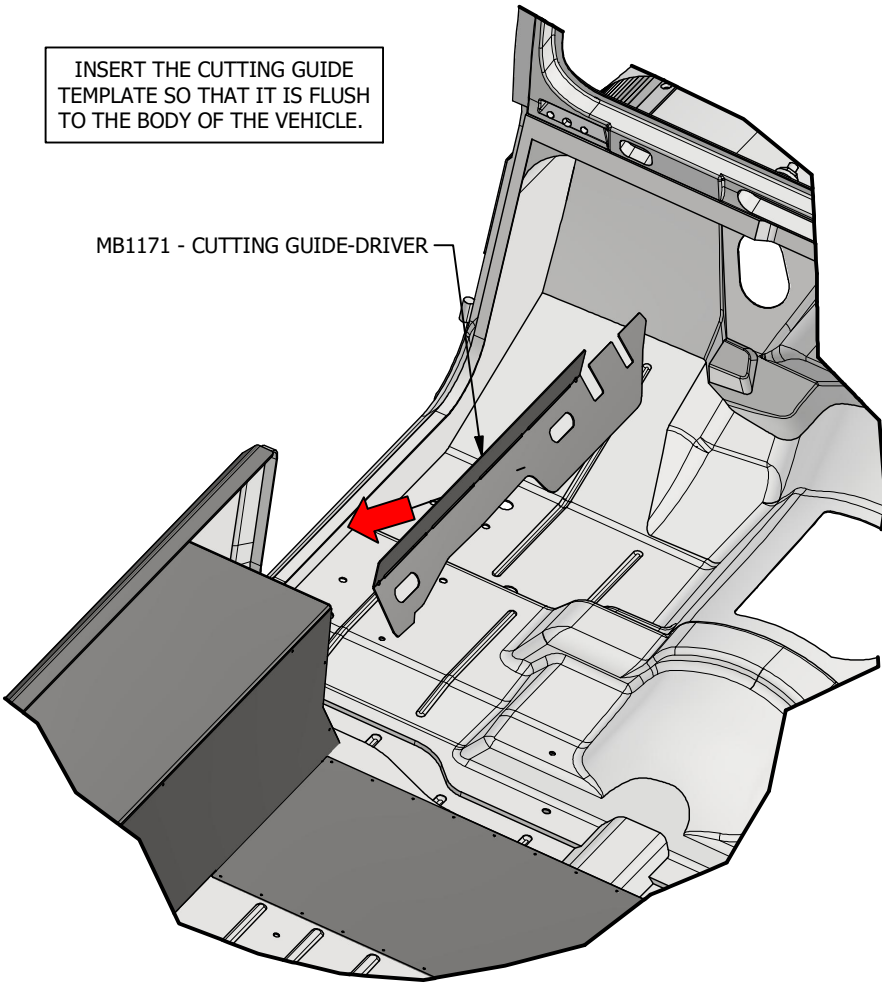
FLAT WASHER
5/16"
Qty: 16

NYLOCK NUT
5/16"-18
Qty: 16

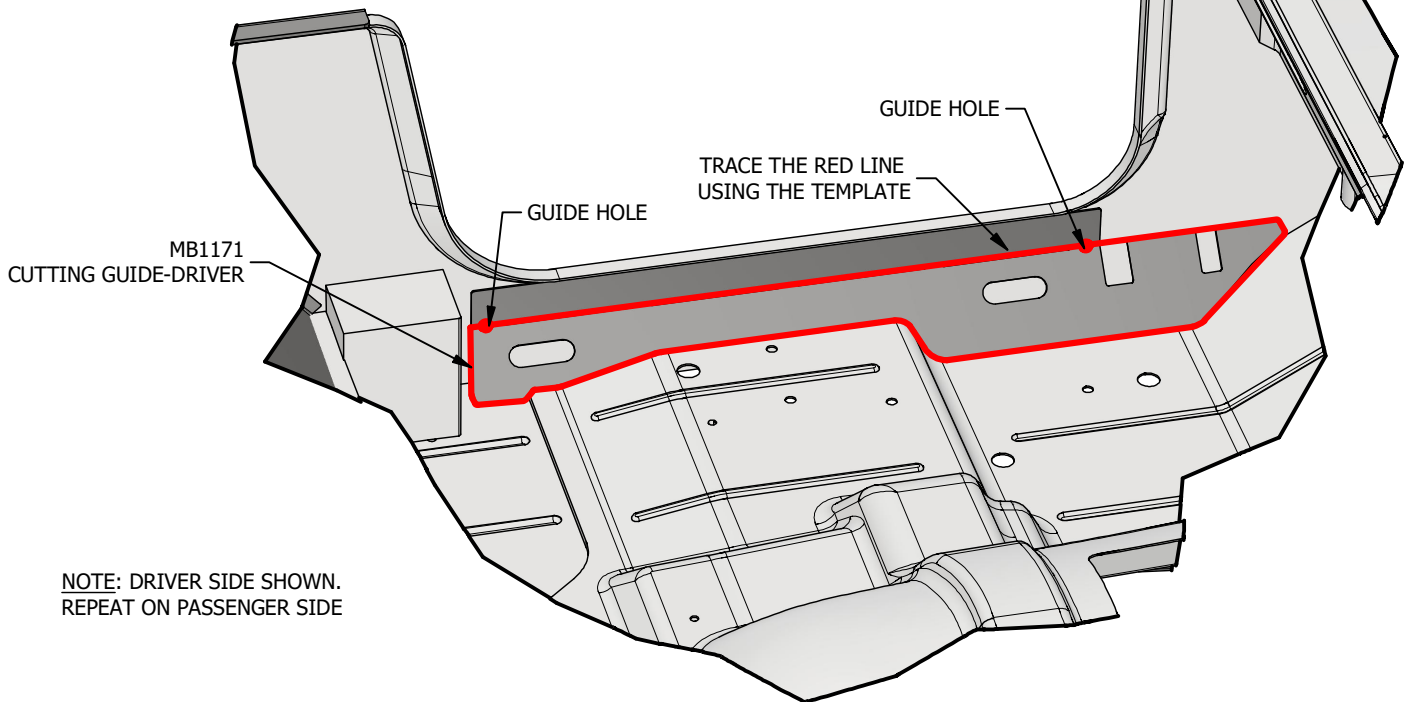
MB1171 - Assembly Instructions YJ 15' Stretch Boat Side Rockers**BODY MODIFICATION**

INSERT THE CUTTING GUIDE TEMPLATE SO THAT IT IS FLUSH TO THE BODY OF THE VEHICLE.

MB1171 - CUTTING GUIDE-DRIVER



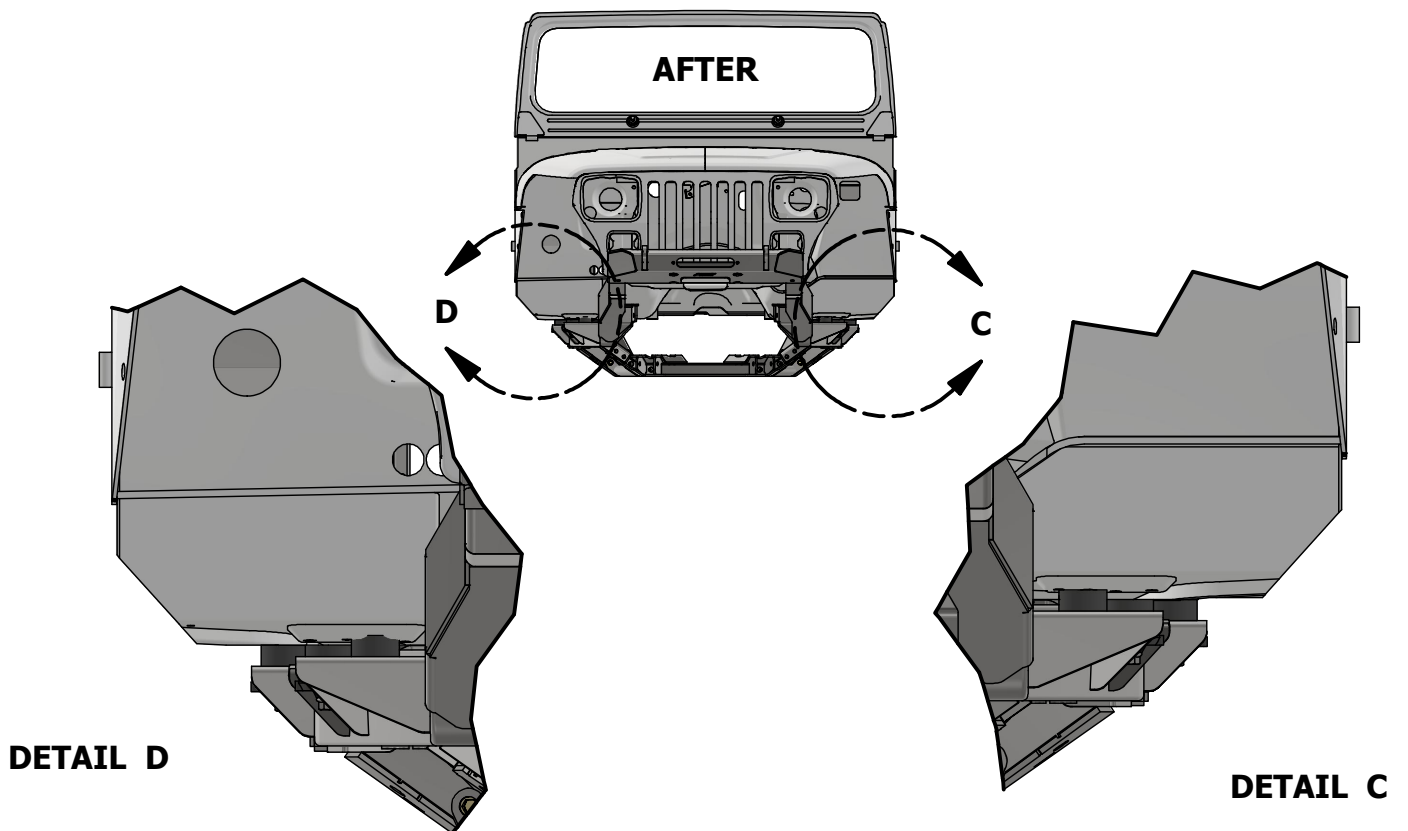
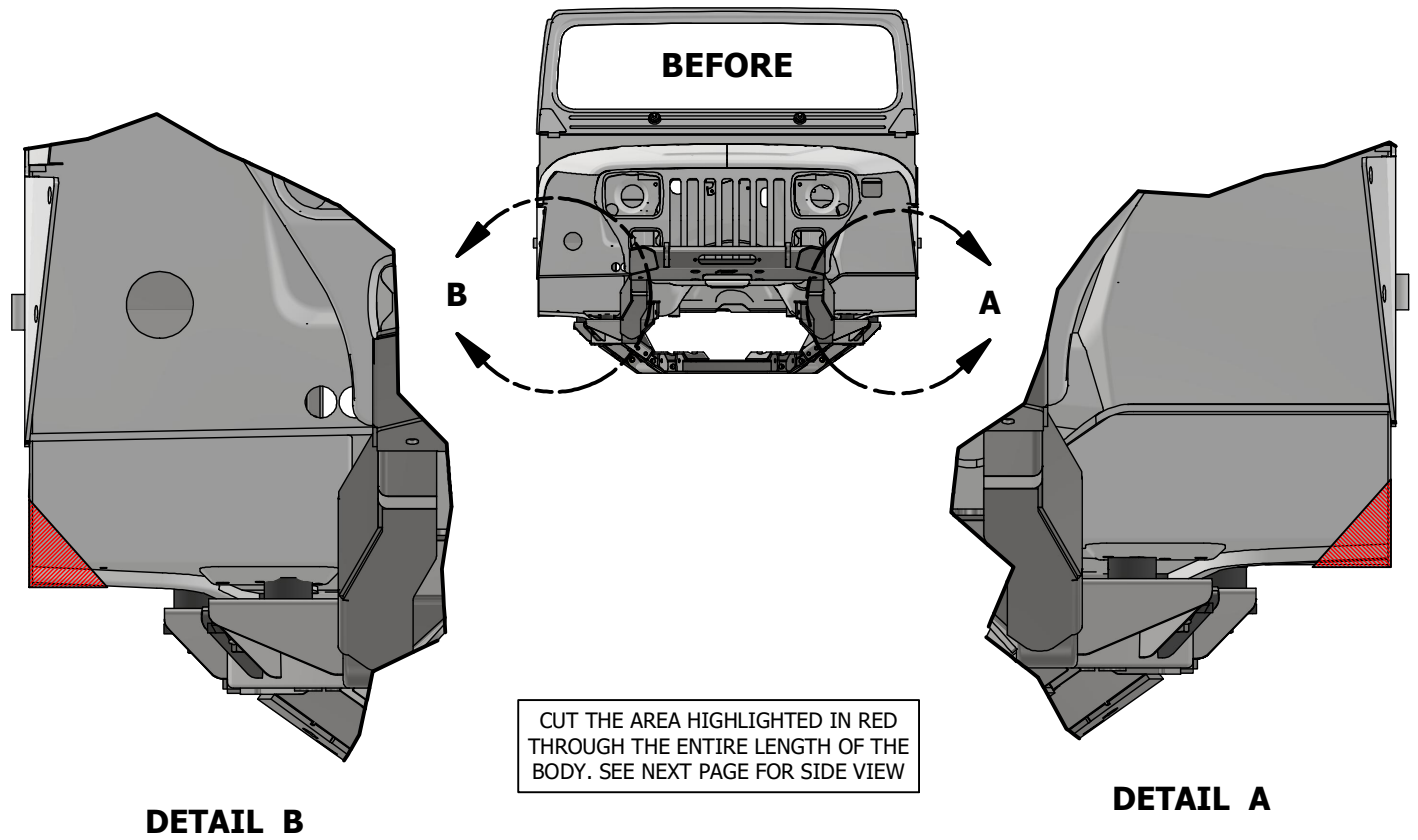
WITH THE TEMPLATE SECURED IN PLACE, DRILL TWO HOLES THROUGH THE GUID HOLES IN THE TEMPLATE. THEN FROM THE OUTSIDE OF THE VEHICLE, HOLD A STRAIGHT EDGE BETWEEN THE TWO HOLES TO ASSIST WITH CUTTING FROM THE OUTSIDE.



NOTE: DRIVER SIDE SHOWN.
REPEAT ON PASSENGER SIDE

MB1171 - Assembly Instructions YJ 15' Stretch Boat Side Rockers

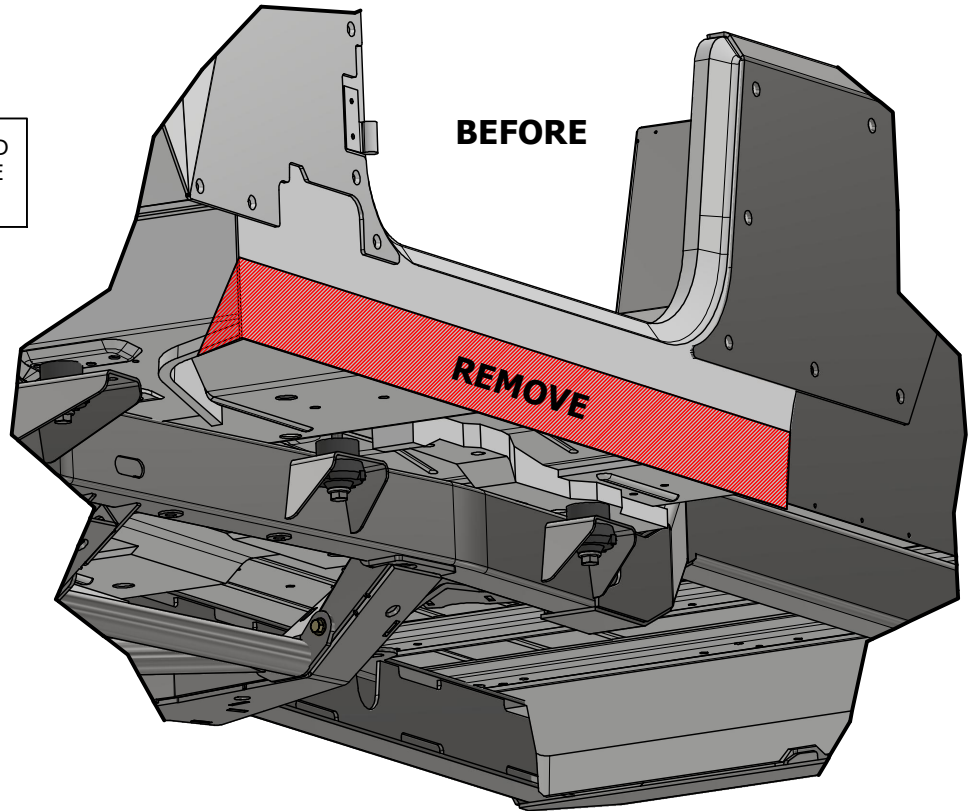
BODY MODIFICATION



MB1171 - Assembly Instructions YJ 15' Stretch Boat Side Rockers

BODY MODIFICATION

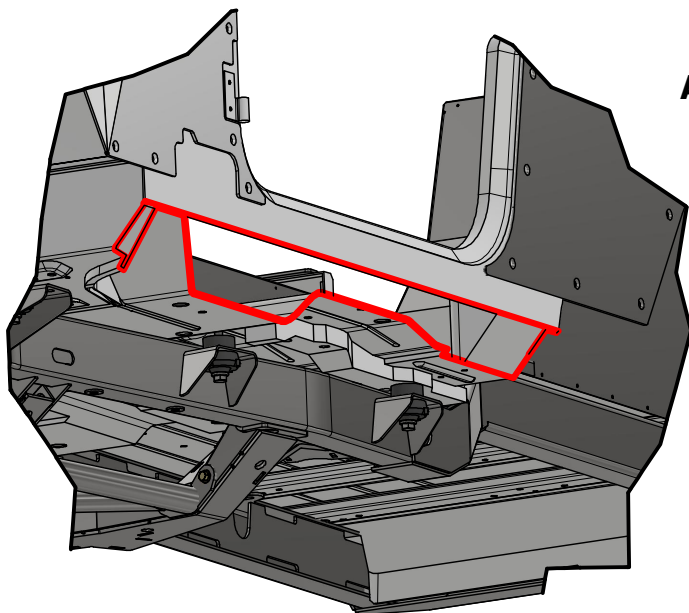
CUT THE BODY BASED OFF THE PROVIDED TEMPLATE. BE SURE TO TAKE YOUR TIME AND CUT WITH CARE.



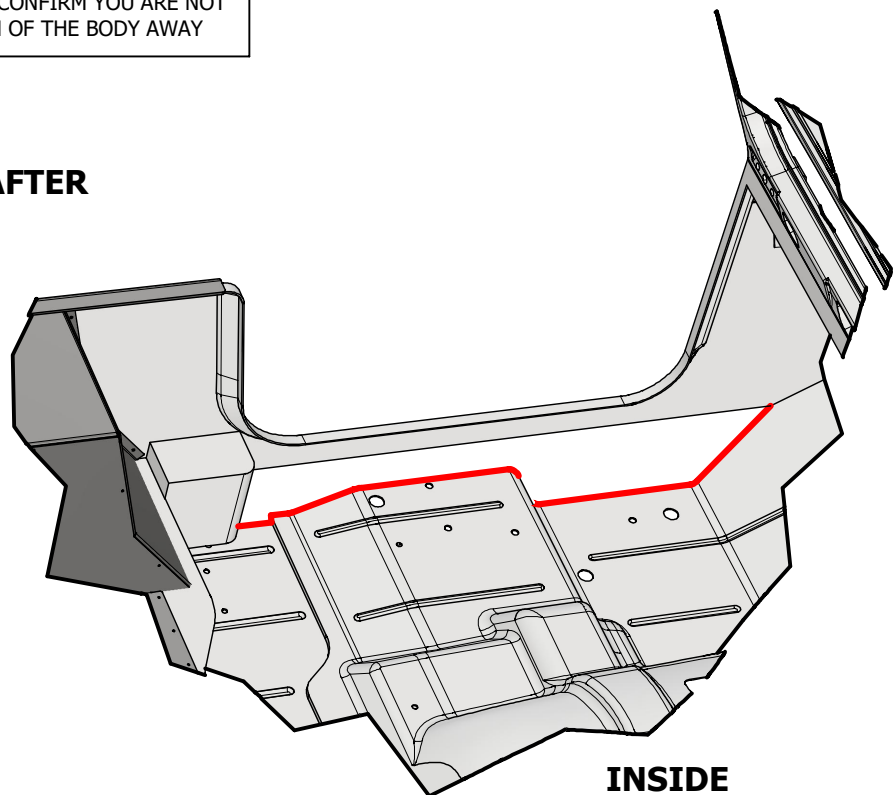
NOTE: DRIVER SIDE SHOWN. REPEAT ON PASSENGER SIDE

MOCK UP MB1171-03 INTO PLACE BEFORE AND DURING CUTTING TO CONFIRM YOU ARE NOT CUTTING TOO MUCH OF THE BODY AWAY

AFTER



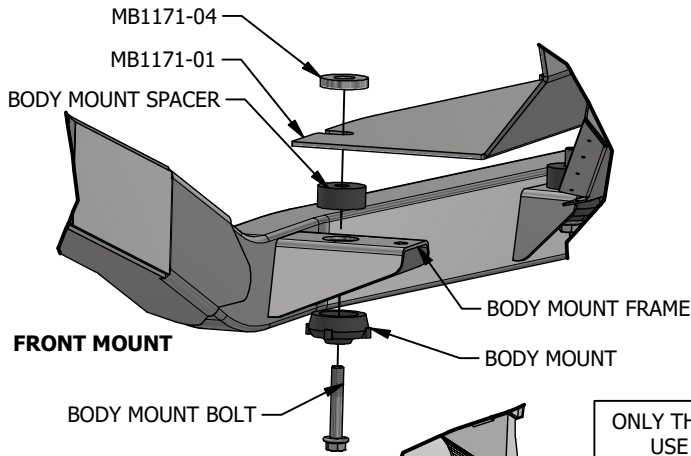
OUTSIDE



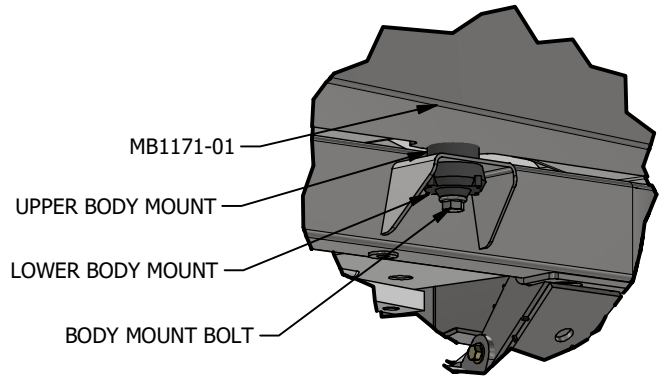
INSIDE

MB1171 - Assembly Instructions YJ 15" Stretch Boat Side Rockers

FITMENT

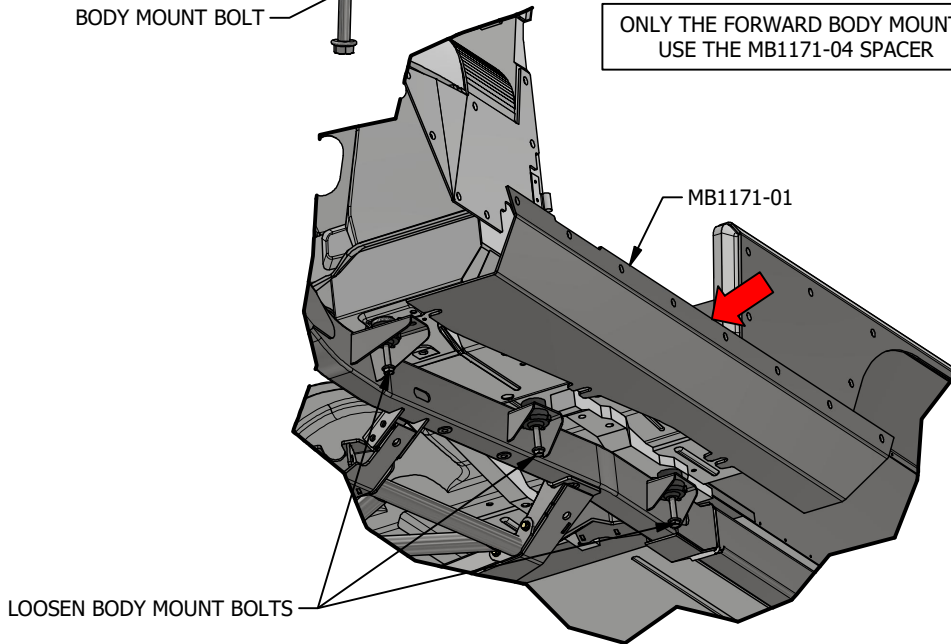


FRONT MOUNT



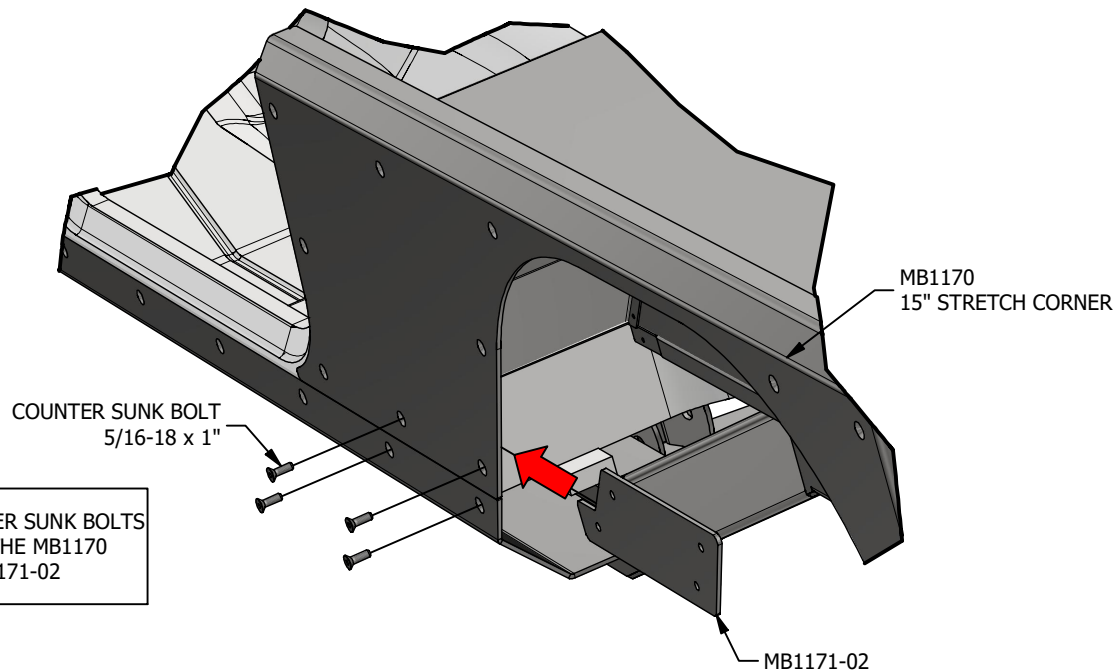
MIDDLE/REAR MOUNT

ONLY THE FORWARD BODY MOUNTS USE THE MB1171-04 SPACER



AFTER LOOSENING THE BODY MOUNT BOLTS, INSTALL THE SLIDER BETWEEN THE BODY AND THE TOP OF THE BODY MOUNT. KEEP THE BODY MOUNT BOLTS LOOSE TO ALLOW THE SLIDER TO MOVE AROUND.

INSTALL PLATE MB1171-02 BEHIND MB1171-01 AND THE MB1170 CORNER GUARD. YOU MAY NEED TO REMOVE THE SLIDER AND TRIM THE BODY TO ALLOW MB1171-02 TO FIT PROPERLY.



INSTALL THE FOUR 5/16" COUNTER SUNK BOLTS TO FASTEN MB1171-01 AND THE MB1170 CORNER GUARD TO MB1171-02

MB1171 - Assembly Instructions YJ 15' Stretch Boat Side Rockers

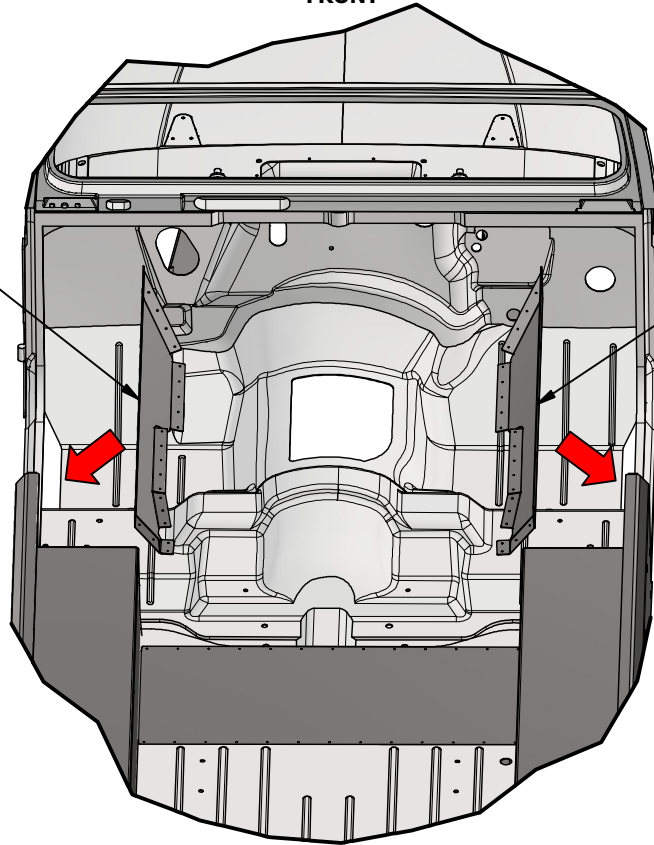
FITMENT



FRONT

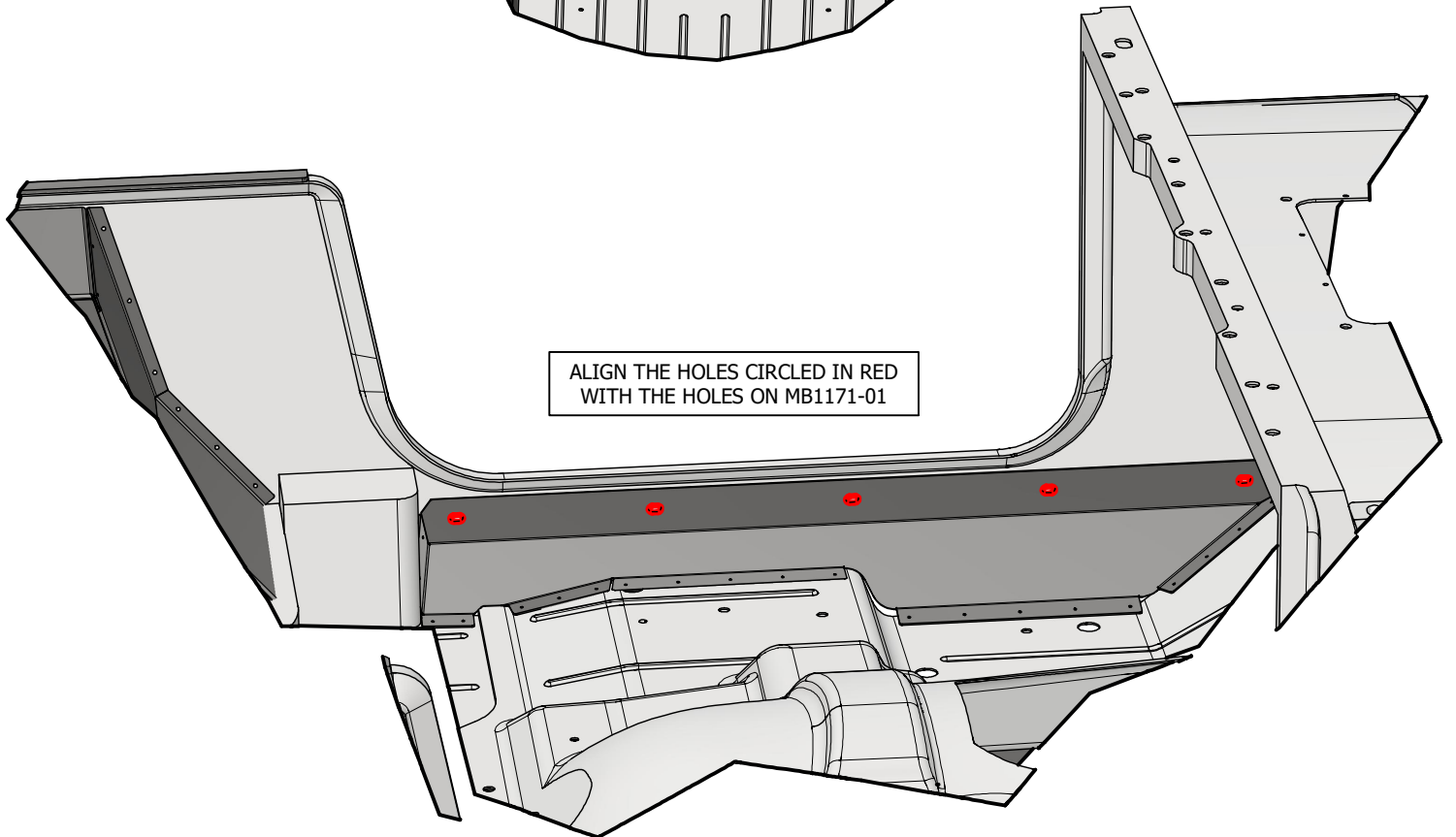
MB1171-03

MB1171-03_MIR



PLACE MB1171-03 INSIDE THE VEHICLE AND CONFIRM THAT THE BOLT HOLES ARE ALIGNED WITH THE BOLT HOLES ON MB1171-01.

ALIGN THE HOLES CIRCLED IN RED WITH THE HOLES ON MB1171-01

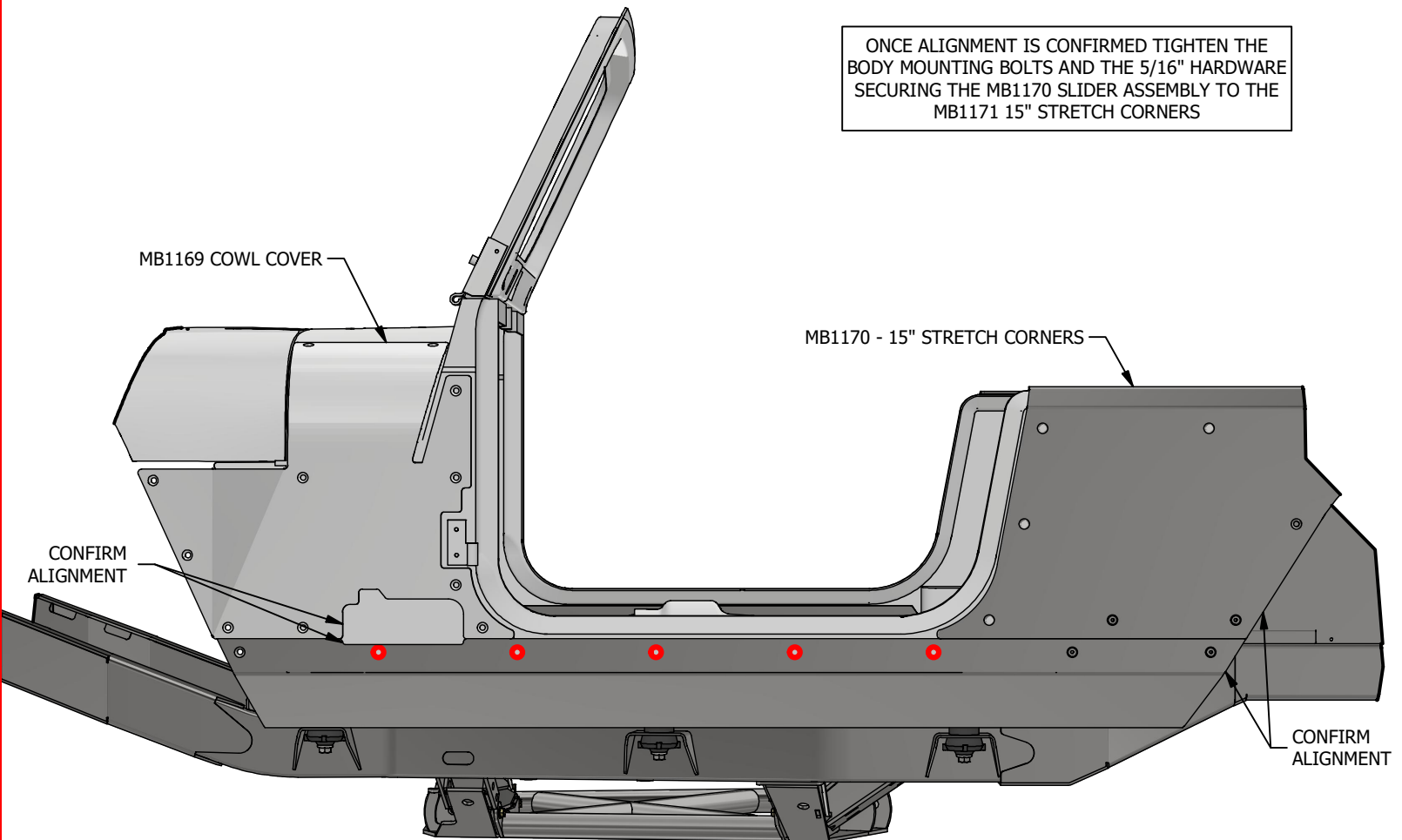


MB1171 - Assembly Instructions YJ 15' Stretch Boat Side Rockers

ALIGNMENT AND DRILLING

IF YOU ARE USING THE MB1170 15" CORNER GUARDS AND MB1169 COWL ARMOR, MOCK UP AND CONFIRM ALIGNMENT OF NEIGHBORING COMPONENTS BEFORE DRILLING.

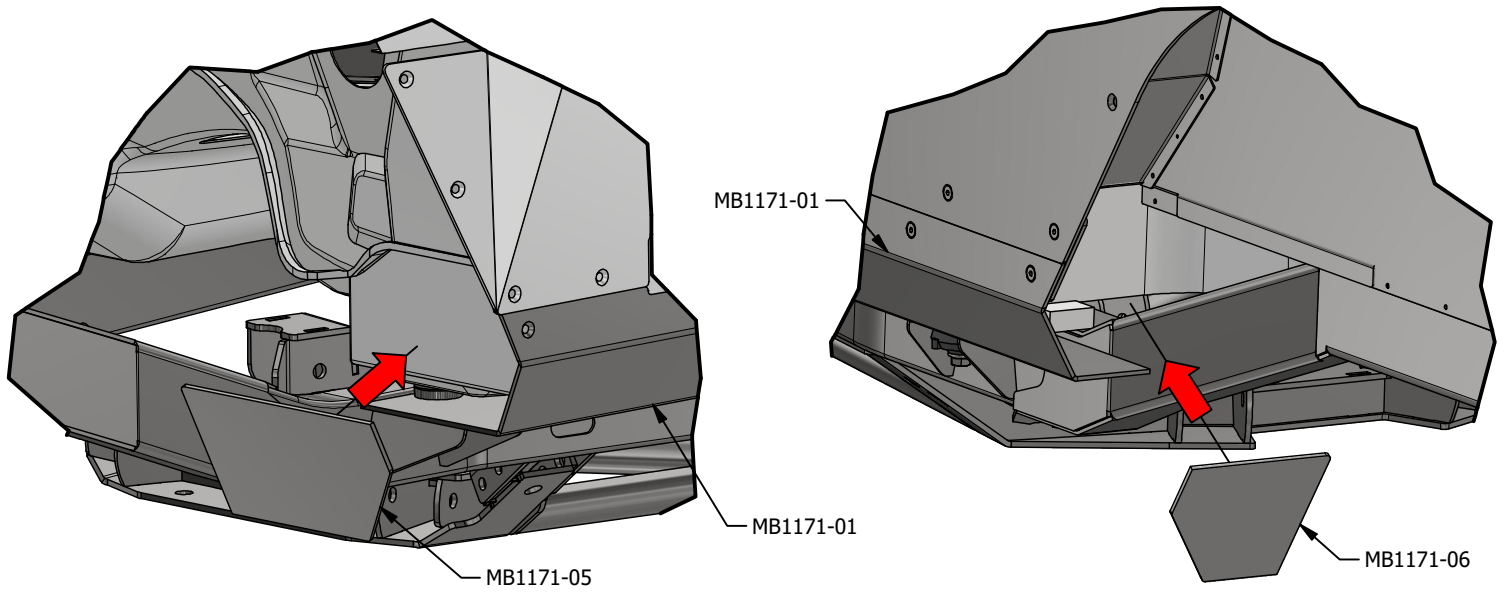
ONCE ALIGNMENT IS CONFIRMED TIGHTEN THE BODY MOUNTING BOLTS AND THE 5/16" HARDWARE SECURING THE MB1170 SLIDER ASSEMBLY TO THE MB1171 15" STRETCH CORNERS



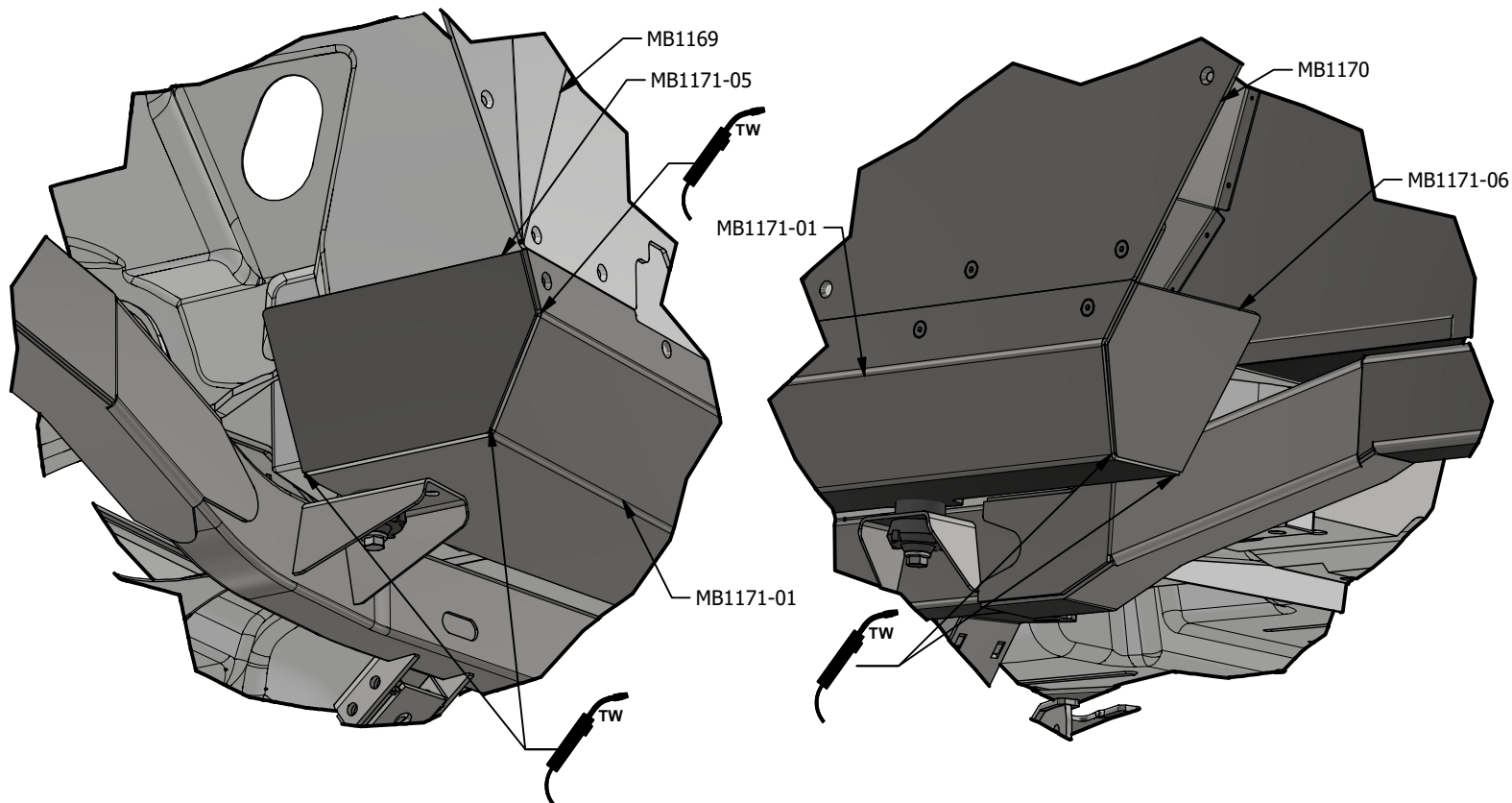
WITH THE SLIDER IN PLACE MARK THE FIVE HOLES ON THE BODY. REMOVE THE SLIDER AND DRILL OUT THE FIVE HOLES PREVIOUSLY CIRCLED FOR 5/16" BOLTS. REPEAT ON PASSENGER SIDE

MB1171 - Assembly Instructions YJ 15' Stretch Boat Side Rockers

END PLATE FITMENT



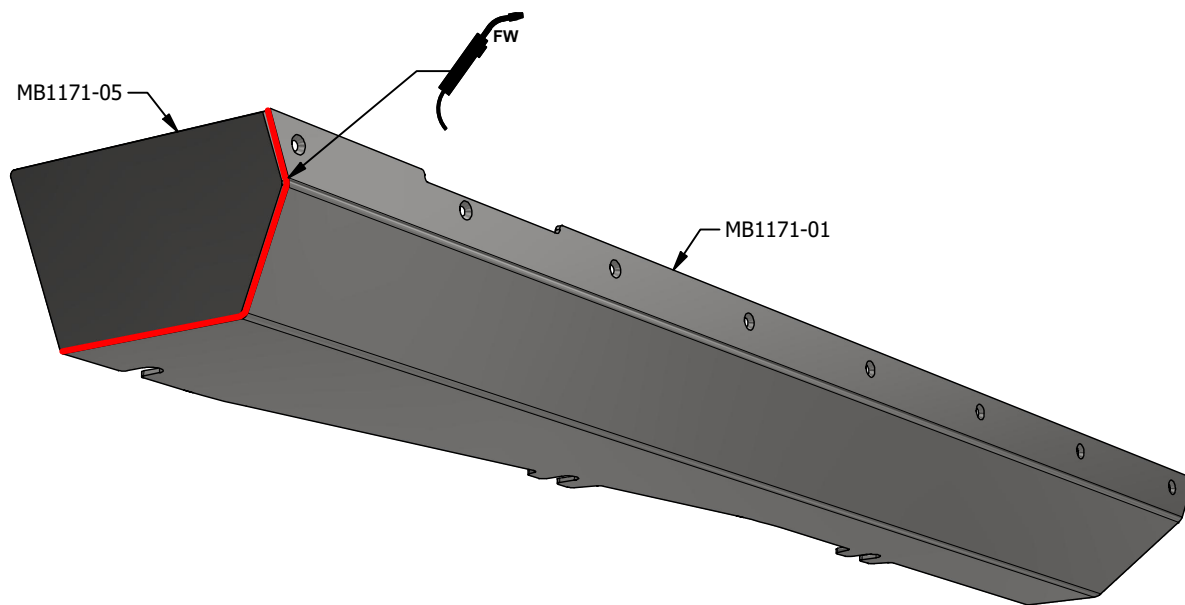
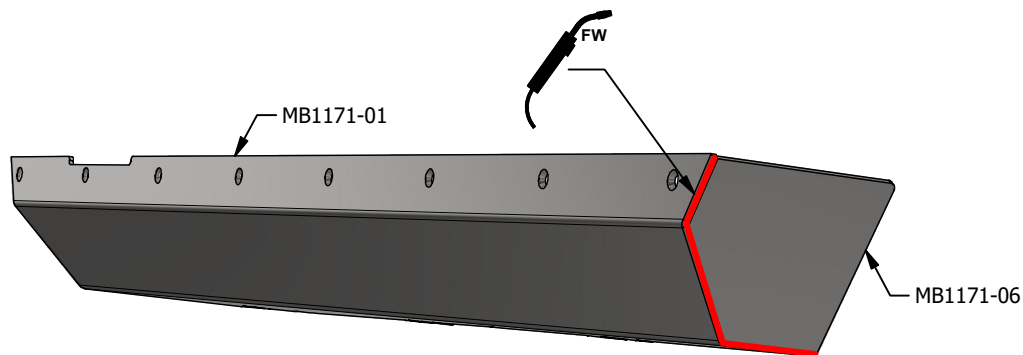
ALWAYS REMOVE THE NEGATIVE TERMINAL OF THE BATTERY BEFORE WELDING ON THE VEHICLE. WITH PLATE MB1171-01 SECURED IN PLACE, FIT AND TACK WELD THE END CAPS MB1171-05 AND MB1171-06 IN PLACE. THE DRIVER SIDE IS SHOWN, REPEAT THE SAME PROCESS ON THE PASSENGER SIDE WITH THE MIRRORED COMPONENTS



MB1171 - Assembly Instructions YJ 15' Stretch Boat Side Rockers

END PLATE WELD-OUT

WITH THE SLIDER REMOVED FROM THE VEHICLE, WELD MB1171-05 AND MB1171-06 TO MB1171-01. WELD THE HIGHLIGHTED AREAS IN RED. THE DRIVER SIDE IS SHOWN, REPEAT THE PROCESS ON THE PASSENGER SIDE WITH THE MIRRORED COMPONENTS.

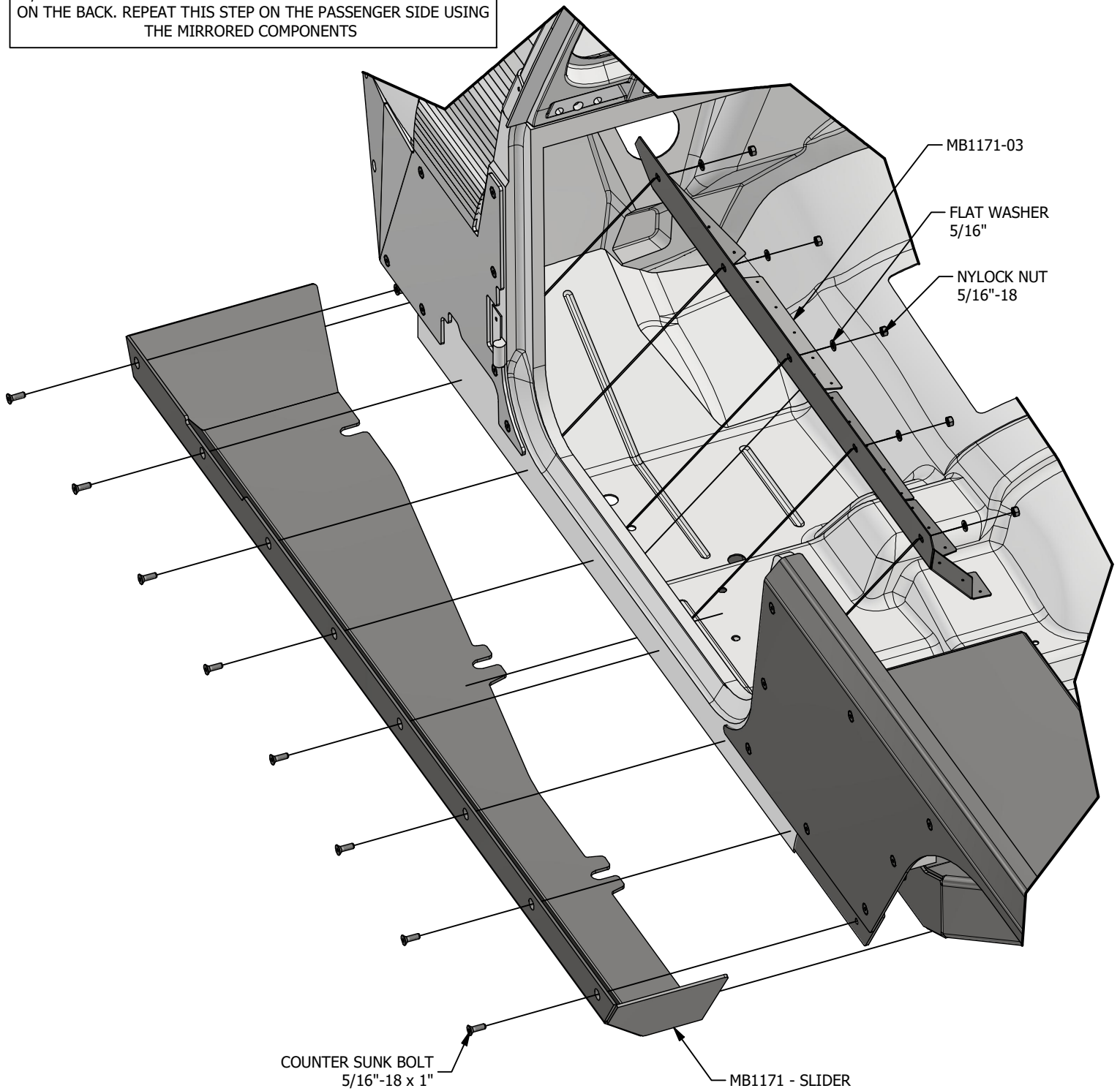


RE-INSTALL THE SLIDER AFTER WELDING

MB1171 - Assembly Instructions YJ 15' Stretch Boat Side Rockers

FINISH INSTALL

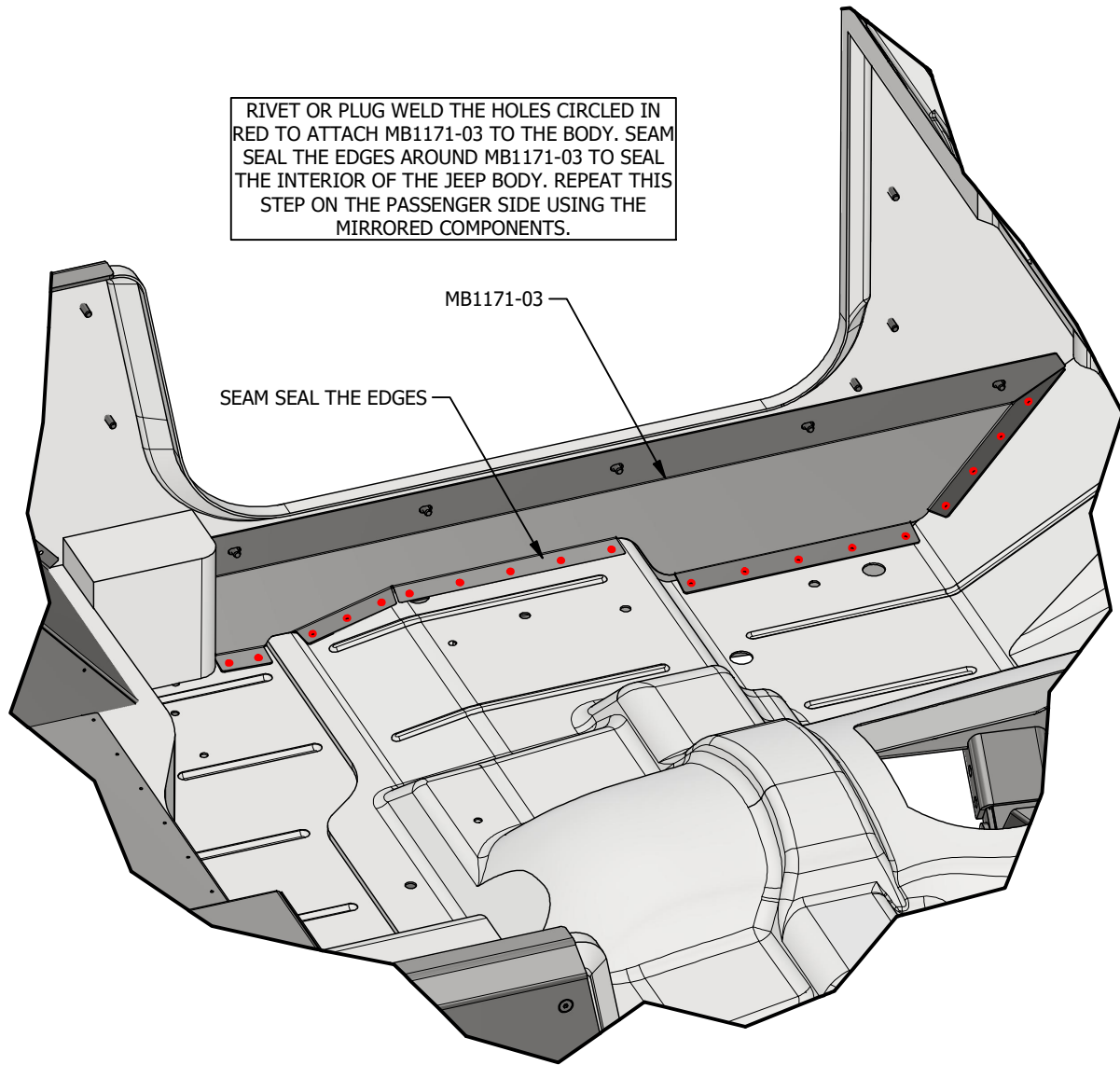
INSTALL THE MB1171 SLIDER ASSEMBLY BACK ONTO THE VEHICLE BY SLIDING BACK ON TOP OF THE BODY MOUNT BUSHINGS, BUT DO NOT TIGHTEN. NEXT INSTALL THE SLIDER ASSEMBLY AND MB1171-03 INTERIOR PANEL TO THE VEHICLE BODY USING EIGHT 5/16" COUNTER SUNK BOLTS WITH WASHERS AND NYLOCK NUTS ON THE BACK. REPEAT THIS STEP ON THE PASSENGER SIDE USING THE MIRRORED COMPONENTS



MB1171 - Assembly Instructions YJ 15' Stretch Boat Side Rockers

FINISH INSTALL

RIVET OR PLUG WELD THE HOLES CIRCLED IN RED TO ATTACH MB1171-03 TO THE BODY. SEAM SEAL THE EDGES AROUND MB1171-03 TO SEAL THE INTERIOR OF THE JEEP BODY. REPEAT THIS STEP ON THE PASSENGER SIDE USING THE MIRRORED COMPONENTS.



WITH ALL THE PARTS INSTALLED YOU, PAINT AND/OR POWDER COAT ALL EXPOSED METAL TO PROTECT IT FROM CORROSION. YOU MAY NEED TO REMOVE THE SLIDER FROM THE VEHICLE TO ACCESS THE BACK SIDE OF THE MB1171-03 INTERIOR PANEL.