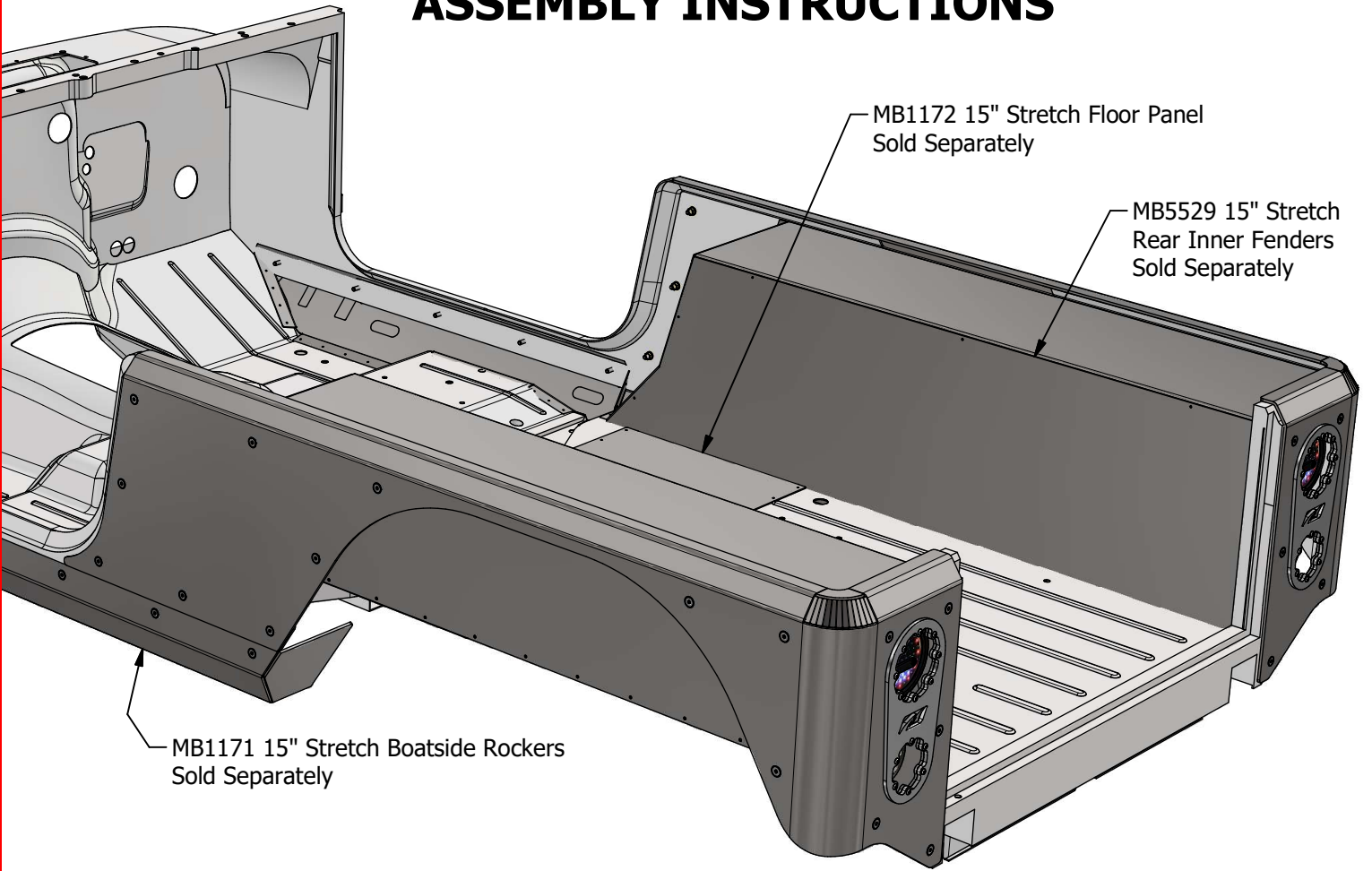


**MB1170 - Assembly Instructions 15" Stretch Over The Rail Rear Corner Armor**

**ASSEMBLY INSTRUCTIONS**

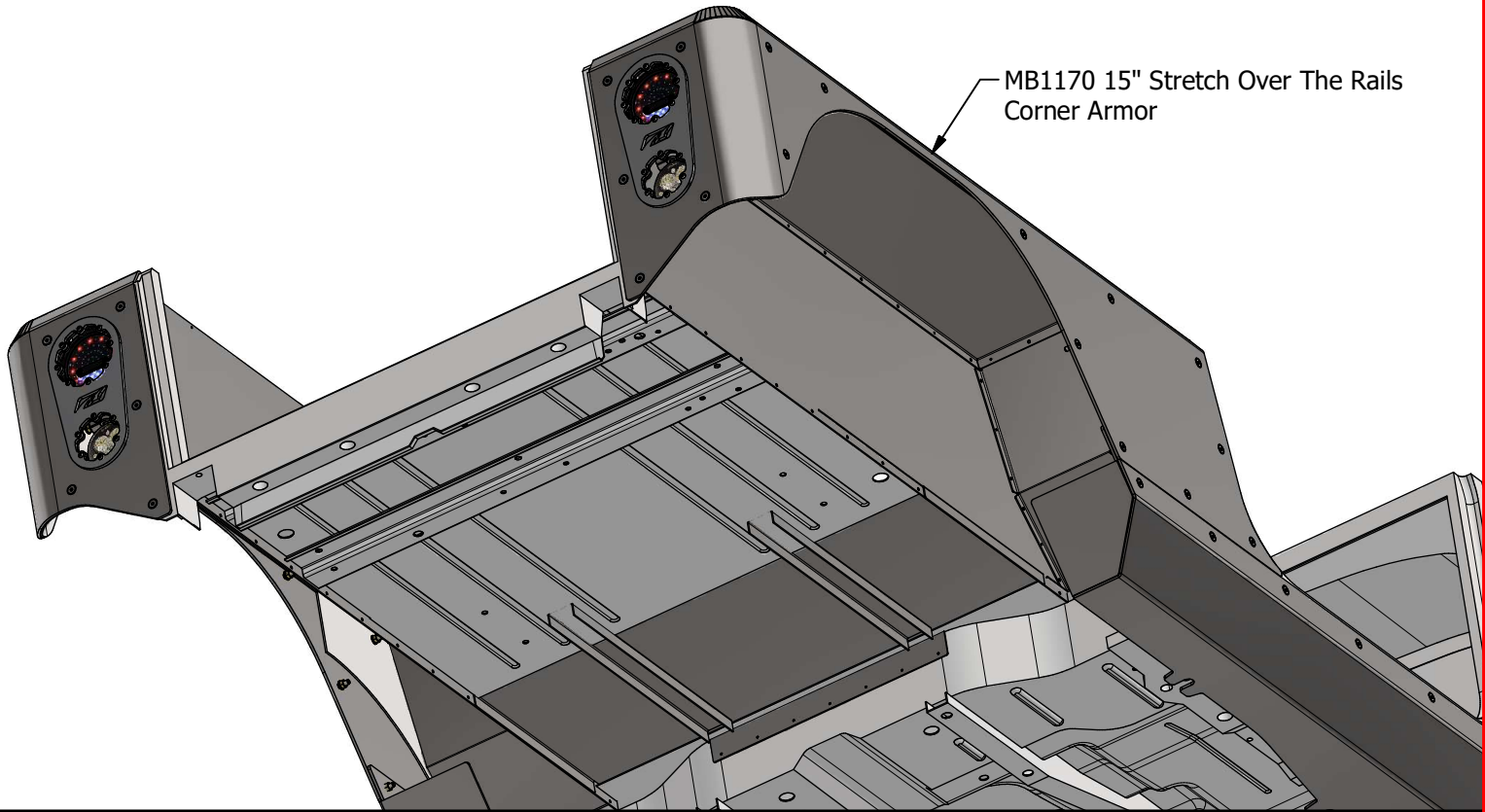


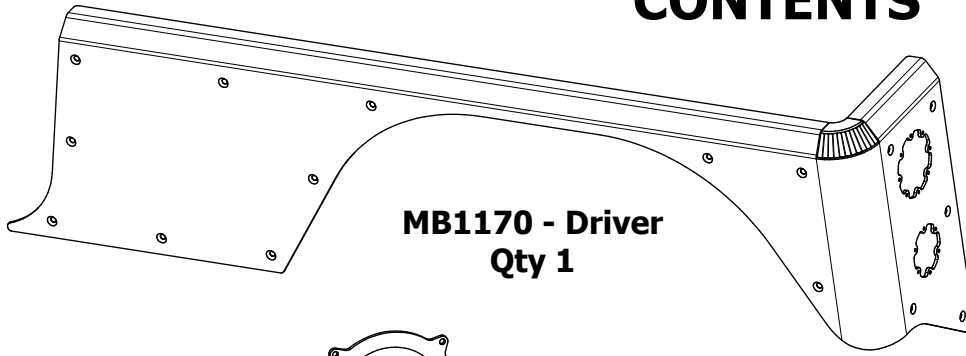
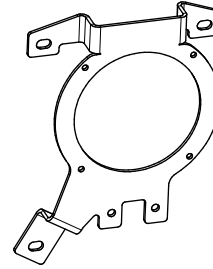
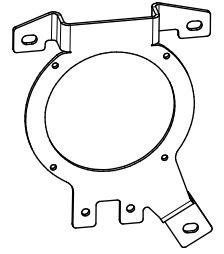
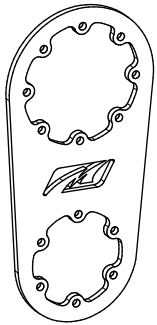
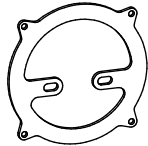
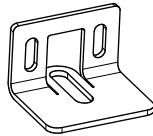
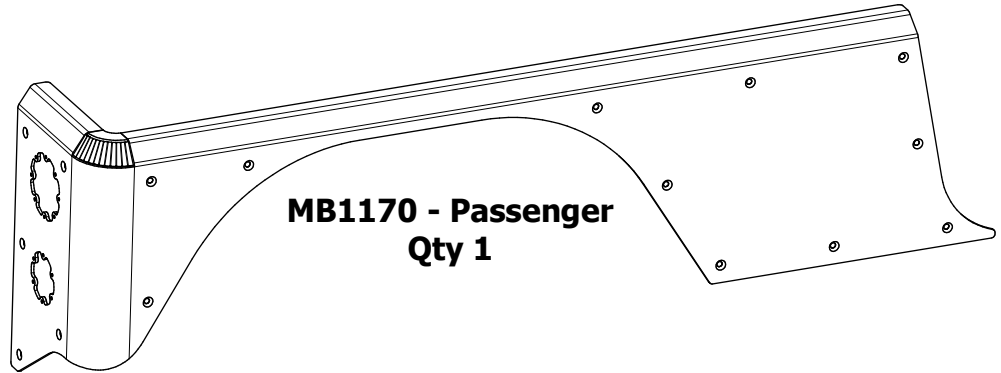
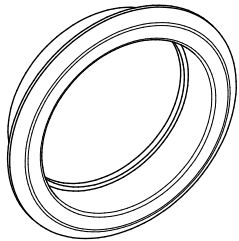
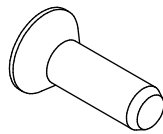
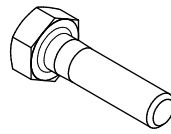
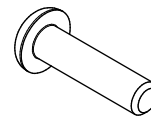
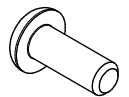
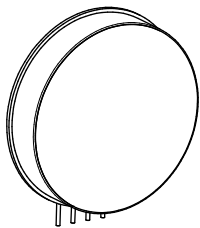
MB1172 15" Stretch Floor Panel  
Sold Separately

MB5529 15" Stretch  
Rear Inner Fenders  
Sold Separately

MB1171 15" Stretch Boatside Rockers  
Sold Separately

MB1170 15" Stretch Over The Rails  
Corner Armor



**MB1170 - Assembly Instructions 15" Stretch Over The Rail Rear Corner Armor**
**CONTENTS**

**MB1170 - Driver  
Qty 1**

**MB1170-06  
Qty 1**

**MB1170-06\_MIR  
Qty 1**

**MB1170-05  
Qty 2**

**MB1170-04  
Qty 2**

**MB1170-07  
Qty 2**

**MB1170 - Passenger  
Qty 1**

**MB6502  
Tail Light Grommet  
Qty 2**

**Countersunk Screw  
5/16\"-18 x 1\"  
Qty 32**

**Hex Bolt  
1/4\"-20 x 1\"  
Qty 4**

**Button Head Screw  
#10-24 x 3/4\"  
Qty 8**

**Button Head Screw  
1/4\"-20 x 1/2\"  
Qty 28**

**MB6502  
LED Tail Light  
Qty 2**

**Flat Washer  
5/16\"  
Qty 32**

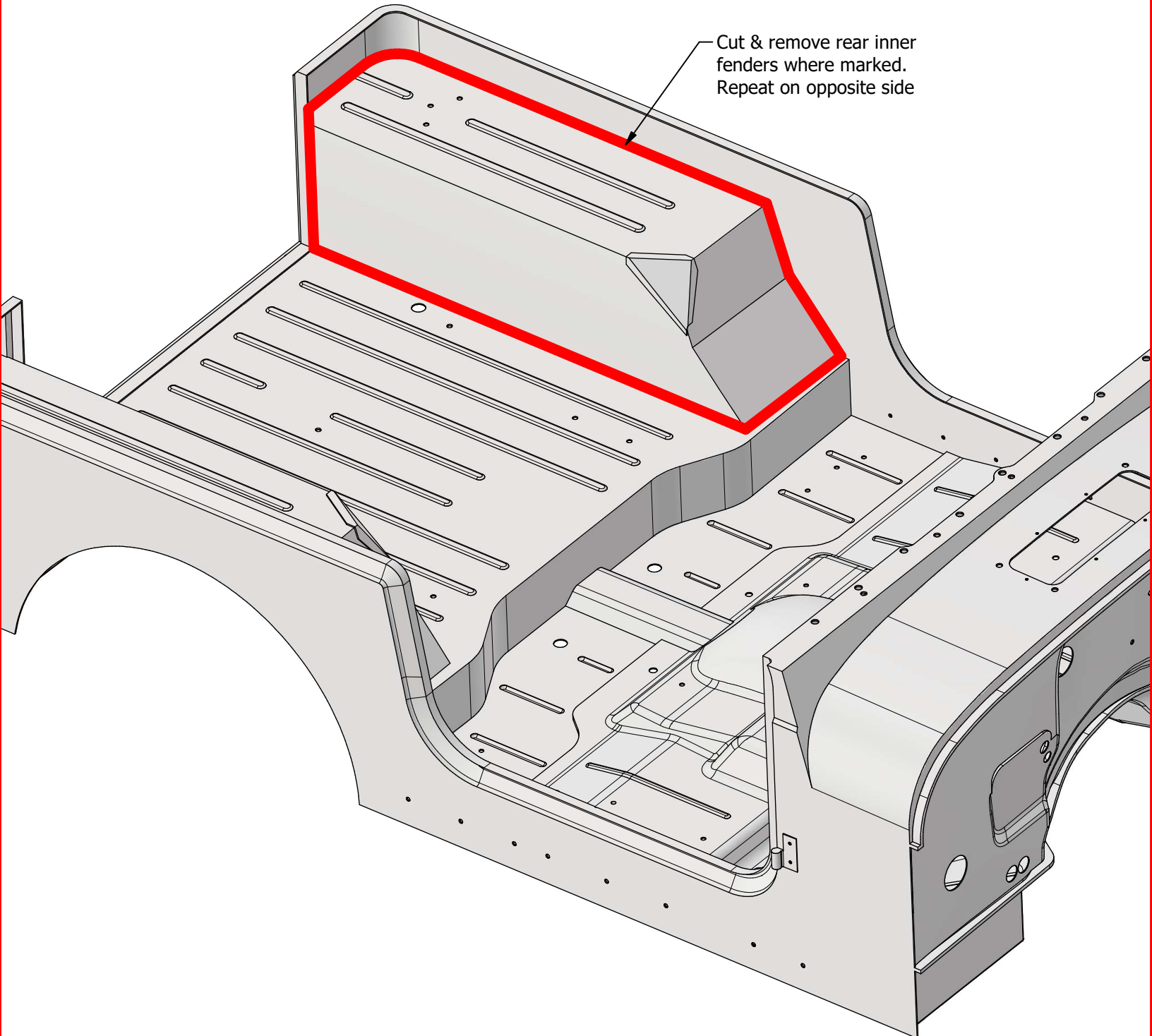
**Flat Washer  
1/4\"  
Qty 8**

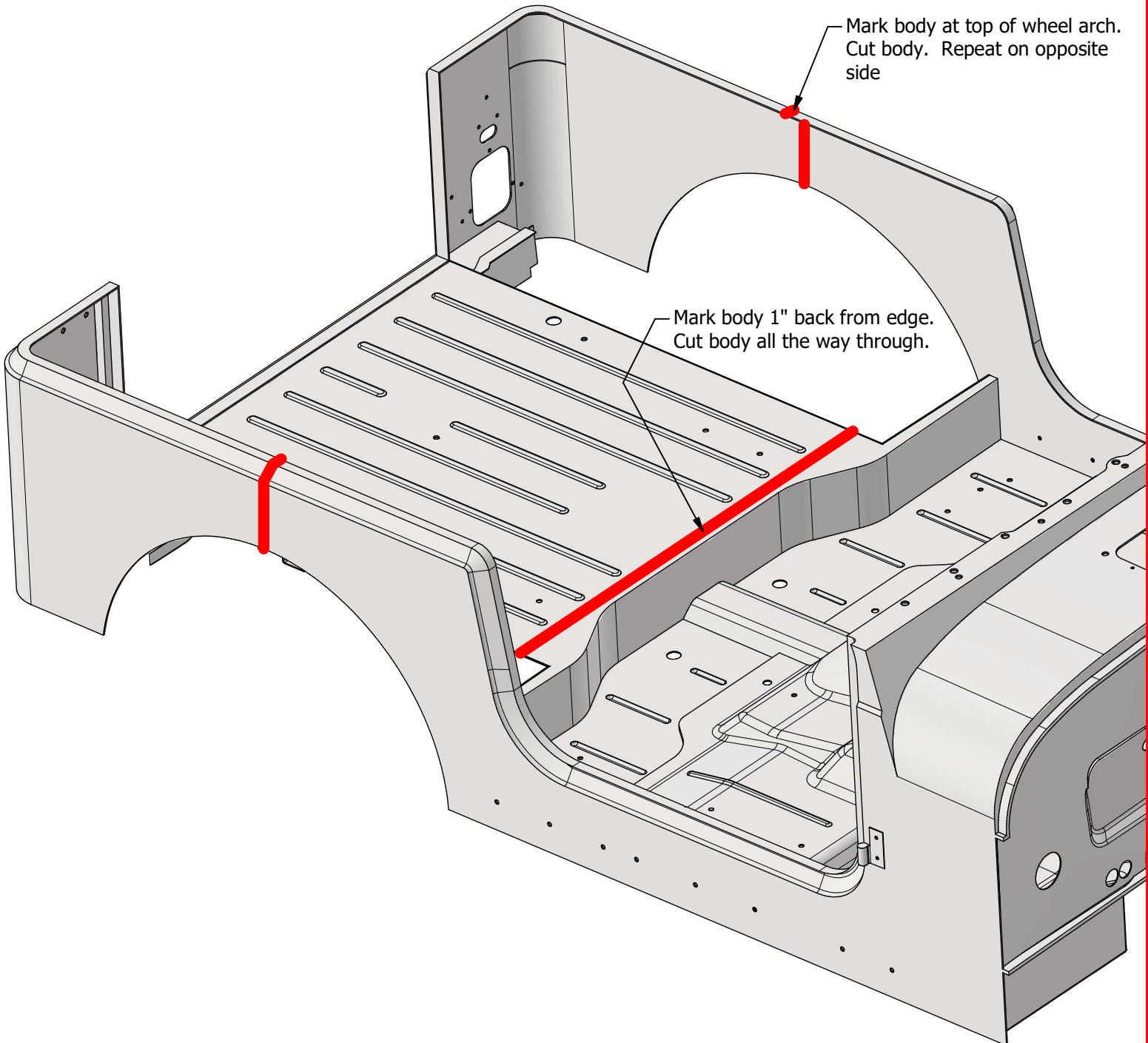
**Flat Washer  
M6  
Qty 8**

**Nylock Nut  
5/16\"-16  
Qty 32**

**Nylock Nut  
1/4\"-20  
Qty 4**

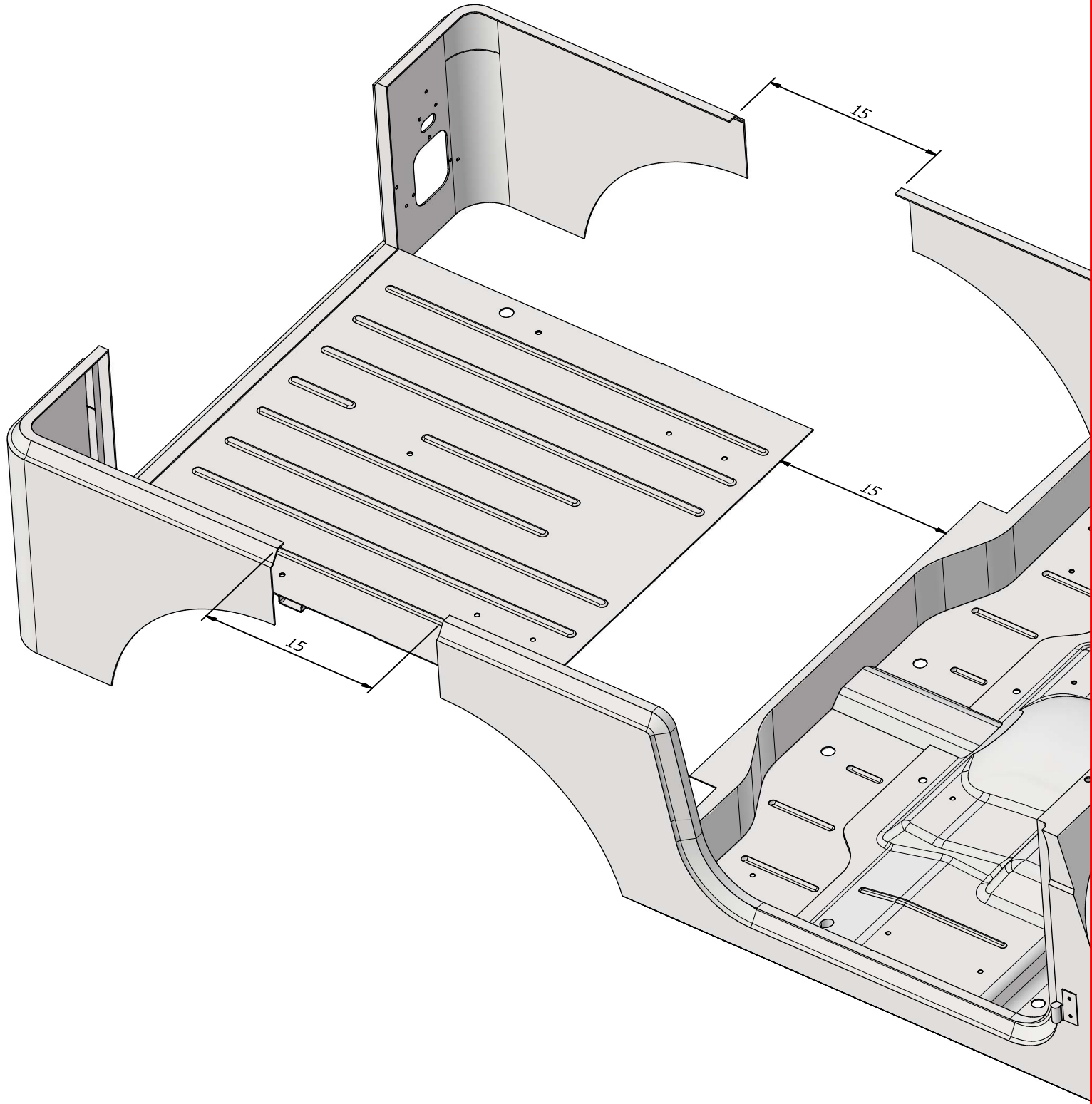
**Nylock Nut  
#10-24  
Qty 8**

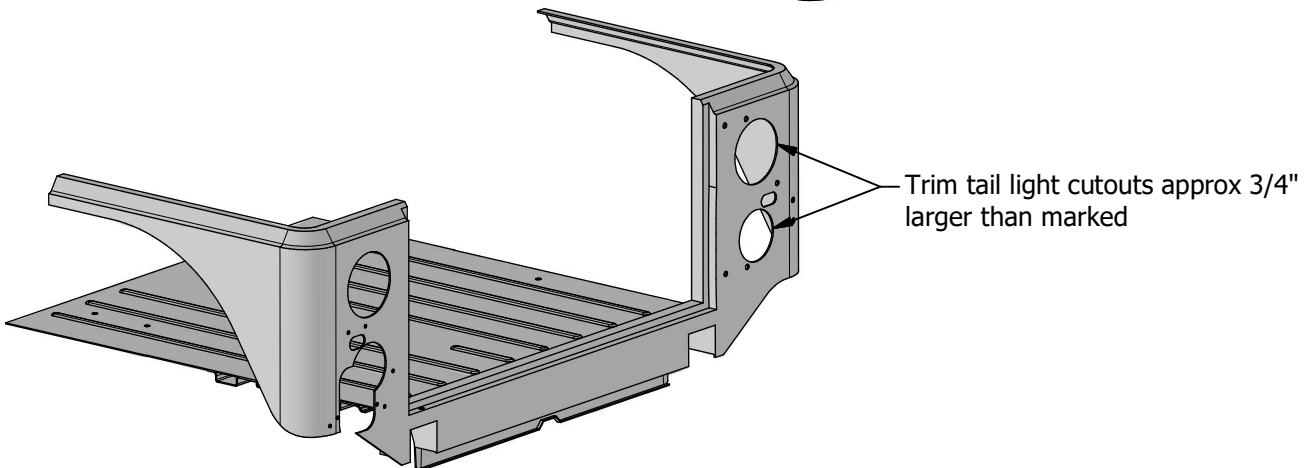
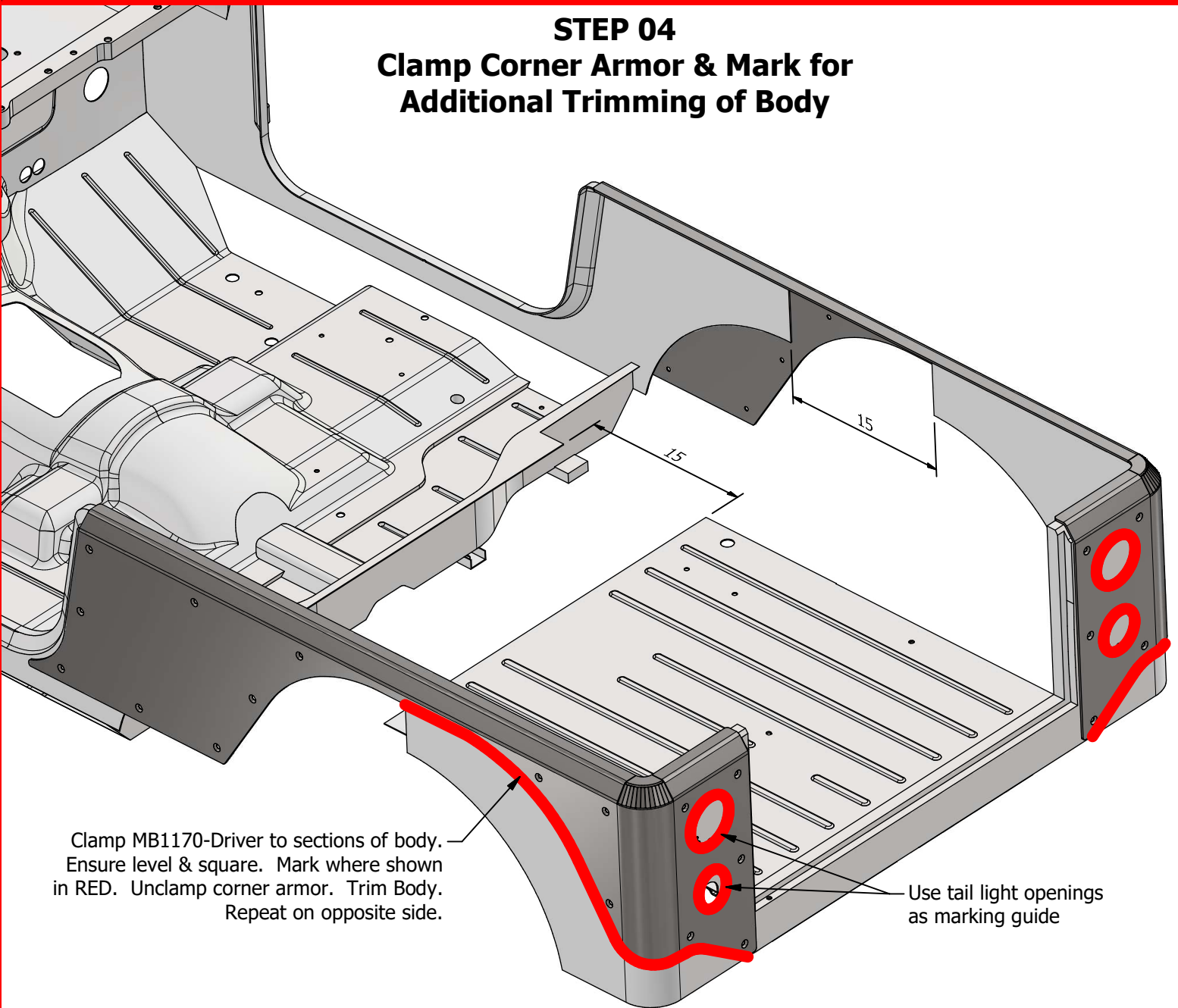
**MB1170 - Assembly Instructions 15" Stretch Over The Rail Rear Corner Armor****STEP 01**  
**Remove Factory Rear Inner Fenders**

**MB1170 - Assembly Instructions 15" Stretch Over The Rail Rear Corner Armor****STEP 02  
Mark & Cut Rear Body**



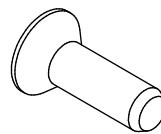
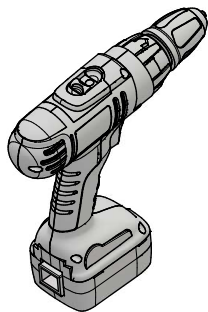
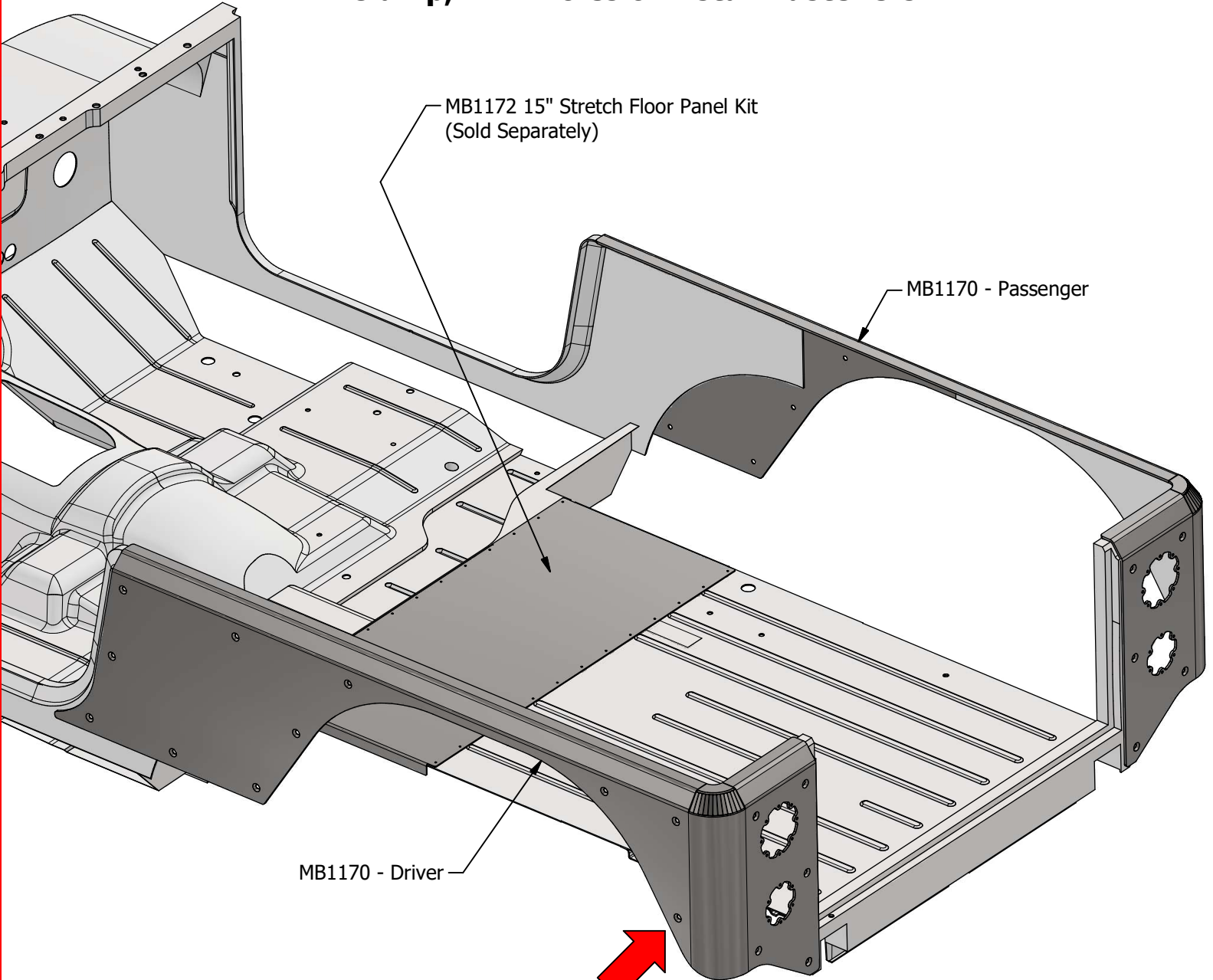
**STEP 03**  
**Separate Rear Body from Front Body**



**MB1170 - Assembly Instructions 15" Stretch Over The Rail Rear Corner Armor****STEP 04**  
**Clamp Corner Armor & Mark for**  
**Additional Trimming of Body****Rear Body After Trimming**

**MB1170 - Assembly Instructions 15" Stretch Over The Rail Rear Corner Armor**

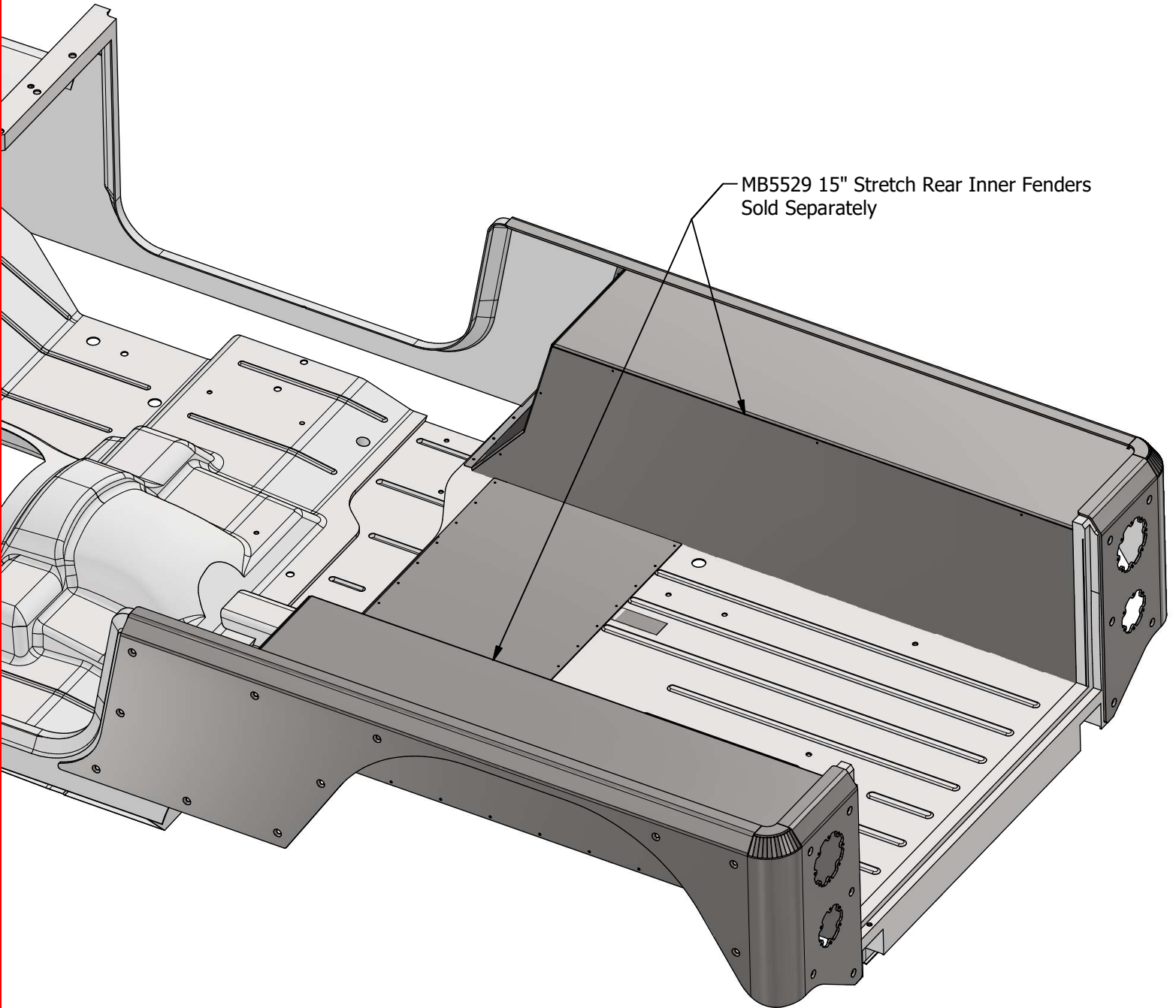
**STEP 05**  
**Clamp, Drill Holes & Install Fasteners**



**Countersunk Screw**  
**5/16"-18 x 1"**  
**Qty 32**

**Flat Washer**  
**5/16"**  
**Qty 32**

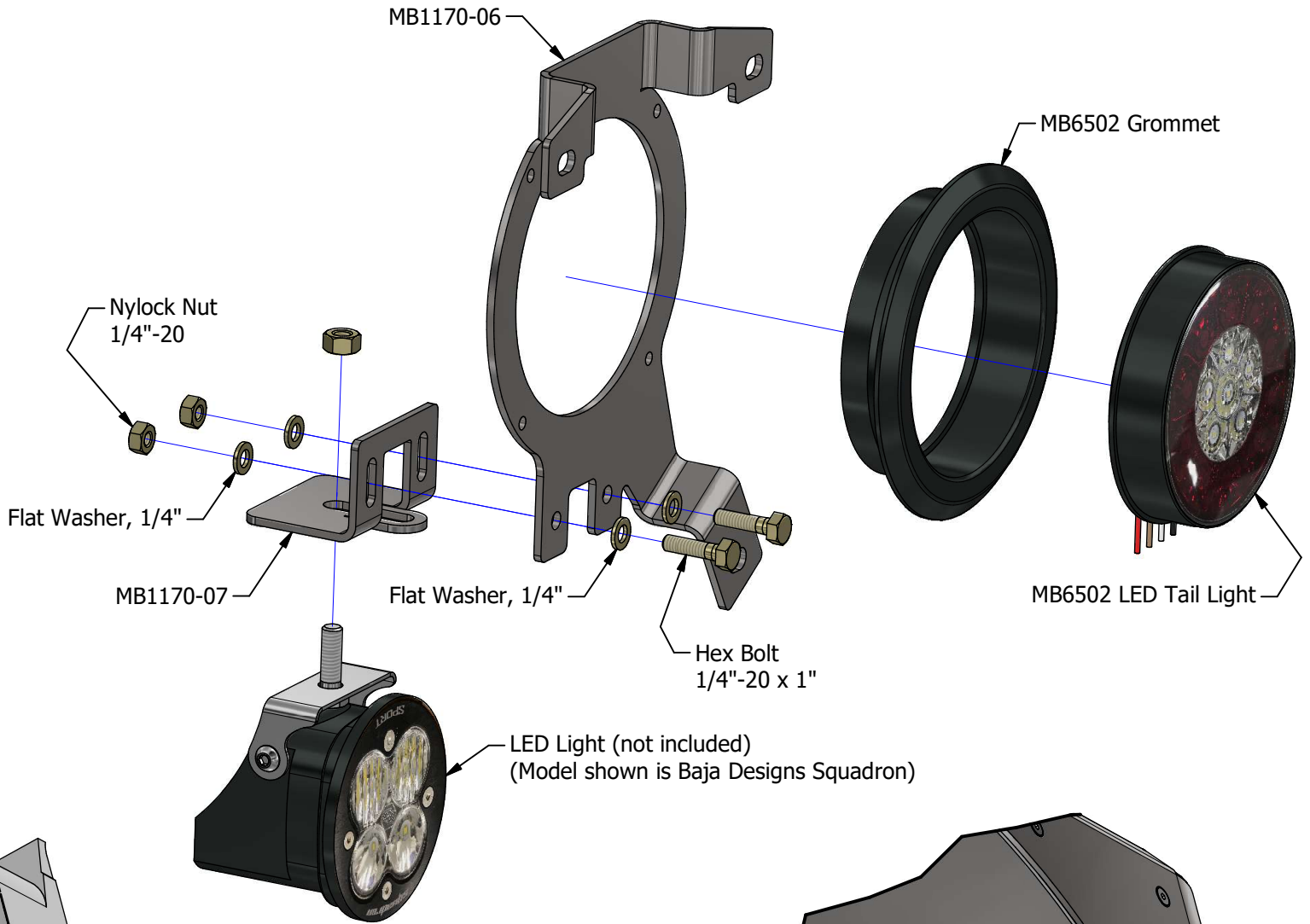
**Nylock Nut**  
**5/16"-16**  
**Qty 32**

**MB1170 - Assembly Instructions 15" Stretch Over The Rail Rear Corner Armor****STEP 06**  
**Install Rear Inner Fenders**  
**(Sold Separately)**

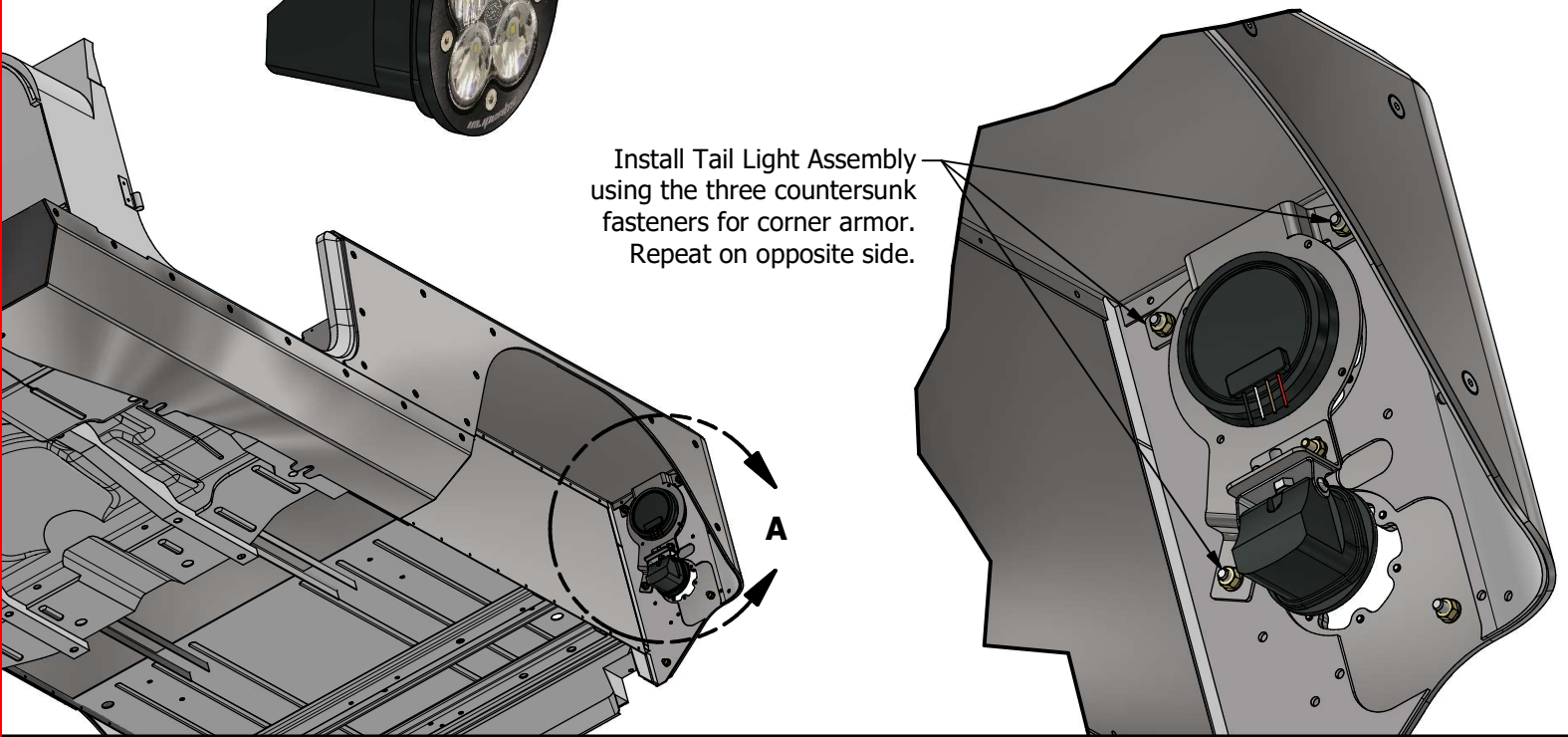


**MB1170 - Assembly Instructions 15" Stretch Over The Rail Rear Corner Armor**

**STEP 07**  
**Install Tail Lights**

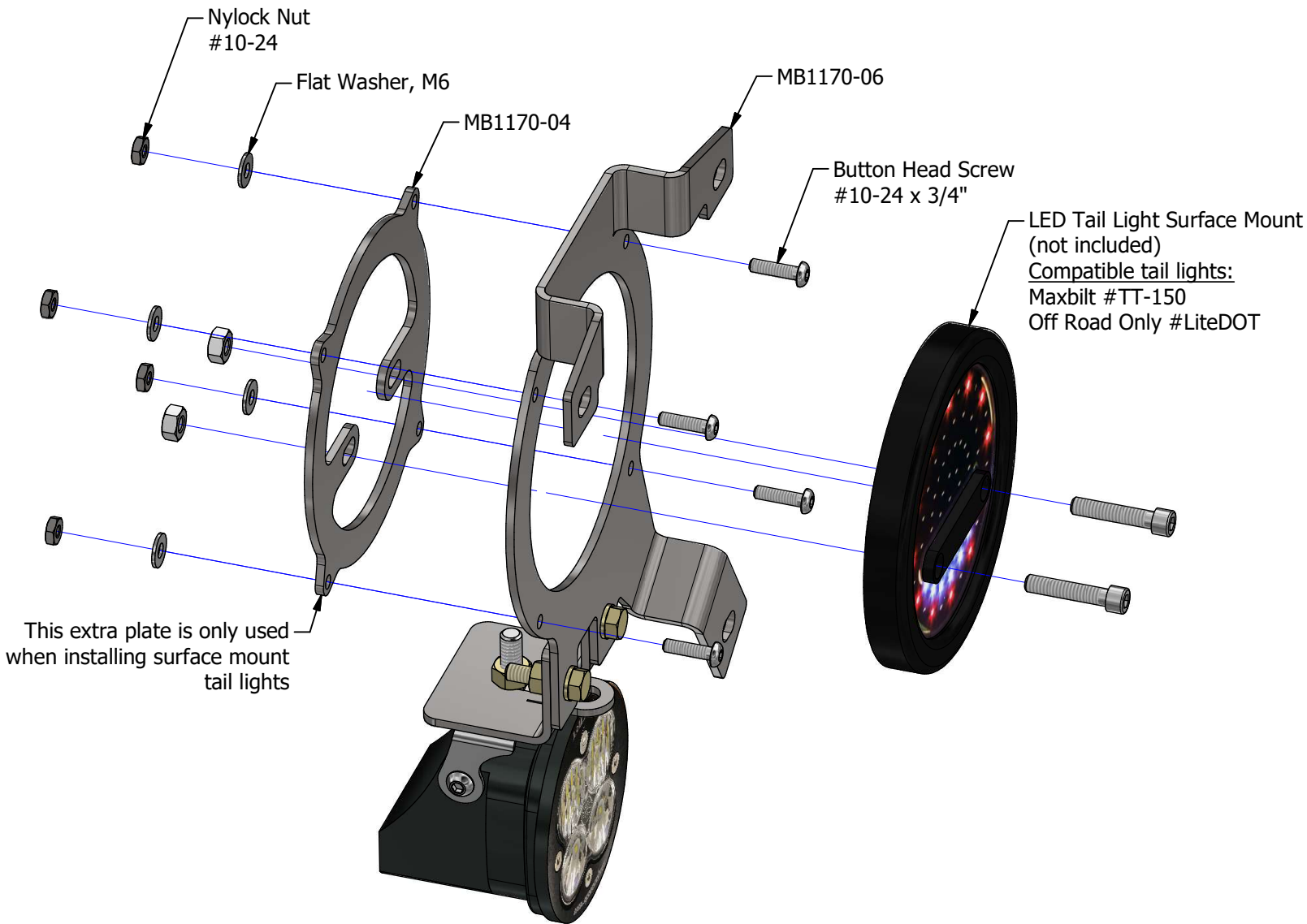


Install Tail Light Assembly using the three countersunk fasteners for corner armor. Repeat on opposite side.



**MB1170 - Assembly Instructions 15" Stretch Over The Rail Rear Corner Armor**

**STEP 08  
Alternate Tail Light Options**



**MB1170 - Assembly Instructions 15" Stretch Over The Rail Rear Corner Armor**

**STEP 09**  
**Install Exterior Tail Light Trim**

