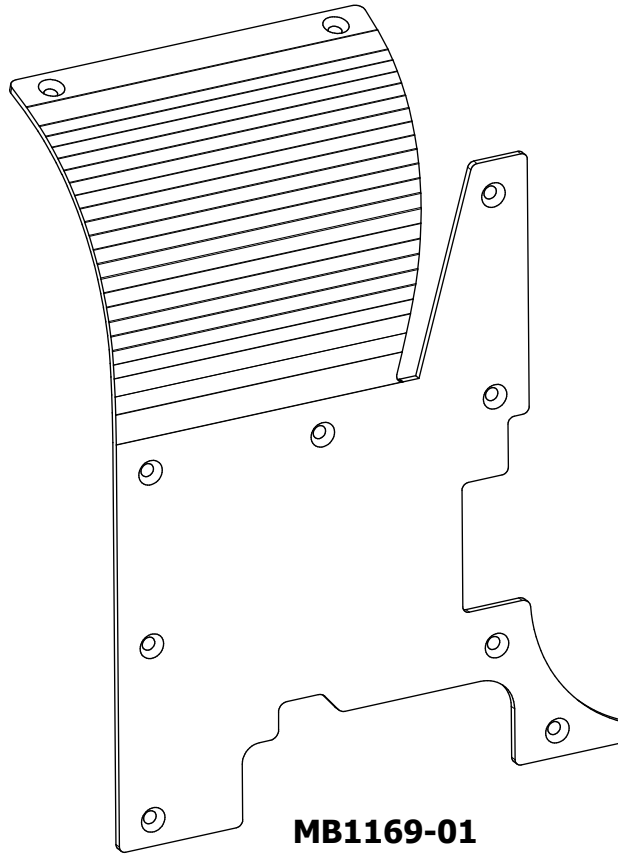
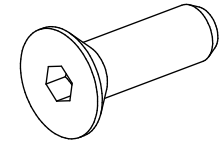


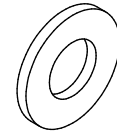
**MB1169-01\_MIR**  
**Qty 1**



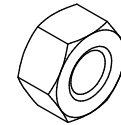
**MB1169-01**  
**Qty 1**



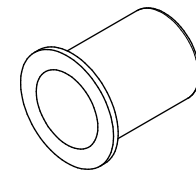
**Hex Countersunk Screw**  
**5/16" x 1.0" Long**  
**Qty 20**



**Flat Washer, 5/16"**  
**Qty 20**



**Nylock Nut, 5/16"**  
**Qty 20**



**Rivnut, 5/16"**  
**Qty 20**

NOTE: You have the option to install this product using either the nuts & washers provided using a drilled through hole OR you can drill larger holes for the rivnuts & omit the nuts & washers

This product ships with all hardware as shown.



Dwg/Part No:

**MB1169 - Shipping**

Description:

**YJ Cowl Armor**

Sheet No: **1** of **1**

Rev No: **0**

Mat'l: