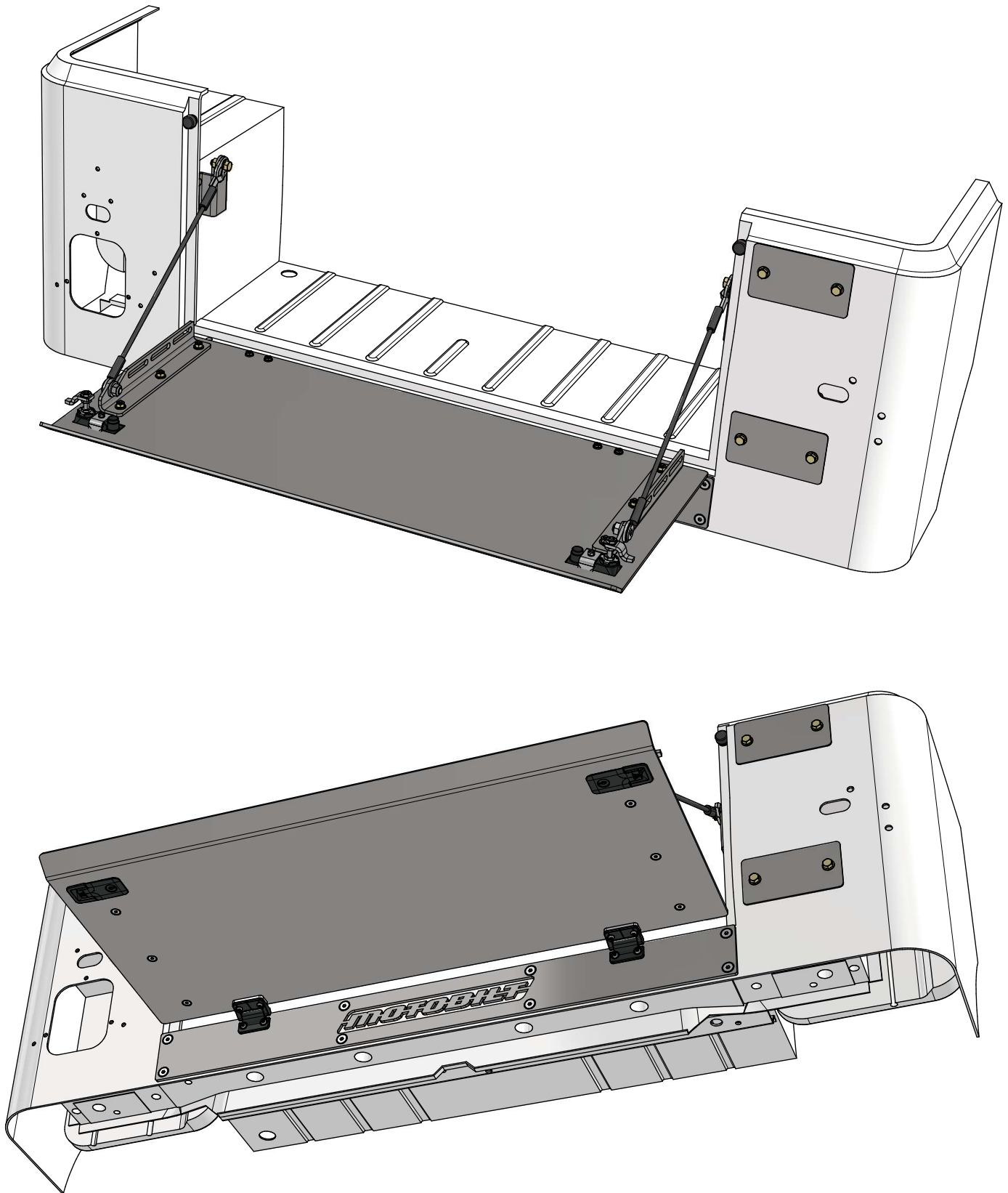
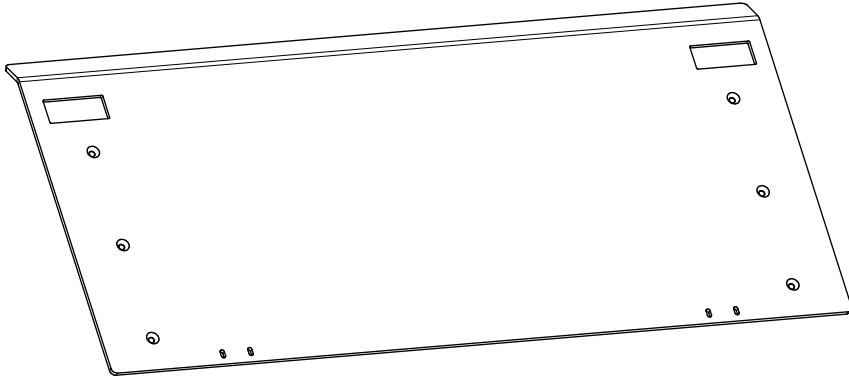


MB1168 - Installation CJ/YJ/TJ/LJ Aluminum Fold Down Tailgate

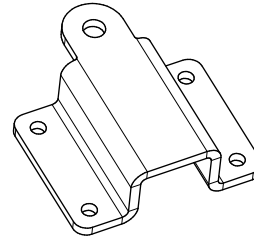


MB1168 - Installation CJ/YJ/TJ/LJ Aluminum Fold Down Tailgate

CONTENTS



MB1168-01
Qty 1



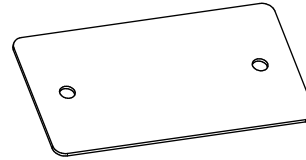
MB1168-03
Qty 2



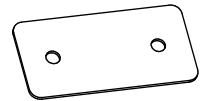
MB1168-04
Qty 2



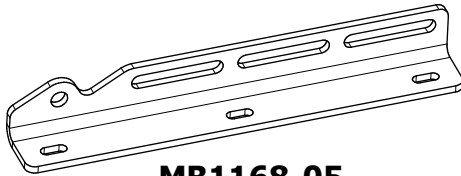
MB1168-02
Qty 1



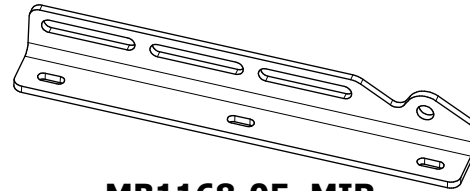
MB1168-06
Qty 2



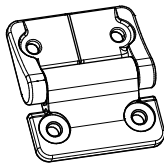
MB1168-07
Qty 2



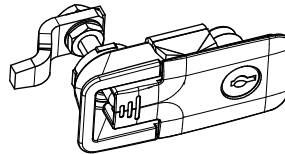
MB1168-05
Qty 1



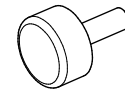
MB1168-05_MIR
Qty 1



Hinge
Qty 2

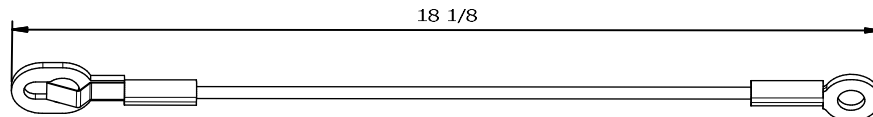


Latch Ass'y
Qty 2

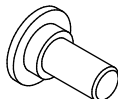


Rubber Bumper
Qty 2

TAILGATE CABLE KIT



Tailgate Cable
Qty 2



Flanged Bolt
Qty 2



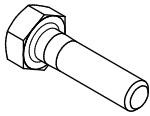
Nylon Washer
Qty 2



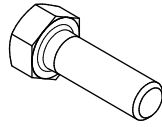
Steel Washer
Qty 2



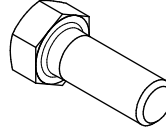
Nylon Washer
Qty 2

MB1168 - Installation CJ/YJ/TJ/LJ Aluminum Fold Down Tailgate
CONTENTS


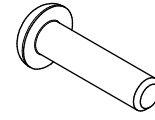
Hex Bolt
1/4"-20 x 1.00"
Qty 8



Hex Bolt
5/16"-18 x 1.00"
Qty 4



Hex Bolt
3/8"-16 x 1.00"
Qty 2



Round Head Screw
#10-24 x 0.75"
Qty 8



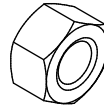
Nylock Nut
#10-24
Qty 4



Nylock Nut
1/4"-20
Qty 14



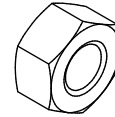
Nylock Nut
5/16"-18
Qty 4



Nylock Nut
3/8"-16
Qty 2



Nylock Nut
M6 x 1
Qty 2



Nylock Nut
M10 x 1.25
Qty 2



Flat Washer
1/4"
Qty 32



Flat Washer
5/16"
Qty 8



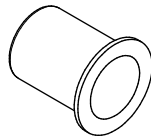
Flat Washer
3/8"
Qty 4



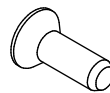
Flat Washer
M6
Qty 4



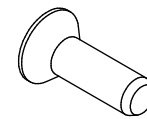
Rivnut
#10-24
Qty 4



Rivnut
5/16"-18
Qty 8



Countersunk Screw
1/4"-20 x 0.75"
Qty 6

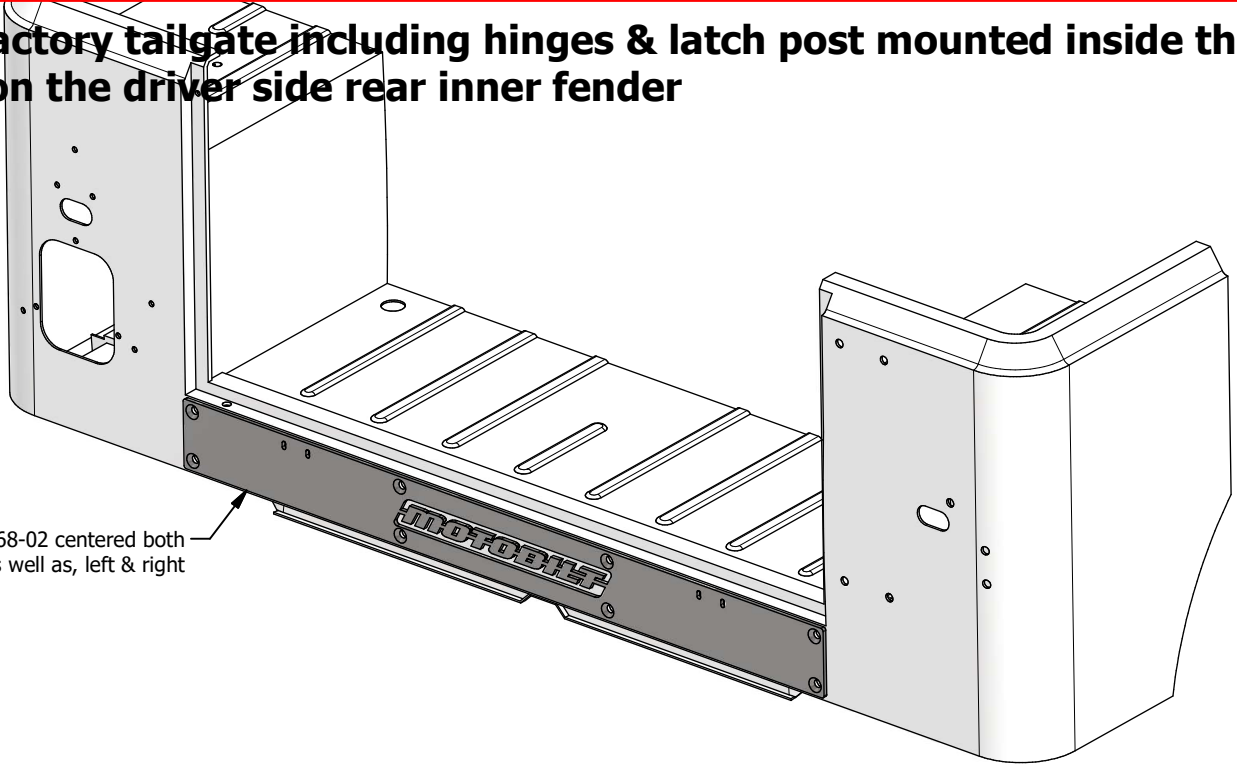


Countersunk Screw
5/16"-18 x 1.00"
Qty 8

MB1168 - Installation CJ/YJ/TJ/LJ Aluminum Fold Down Tailgate

Remove factory tailgate including hinges & latch post mounted inside the bed area on the driver side rear inner fender

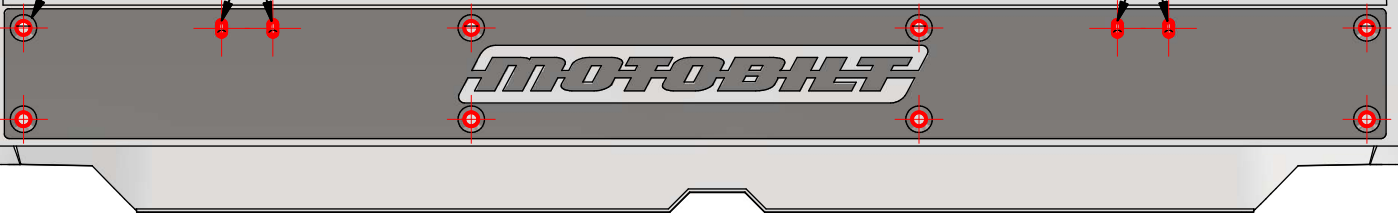
Position MB1168-02 centered both top & bottom, as well as, left & right



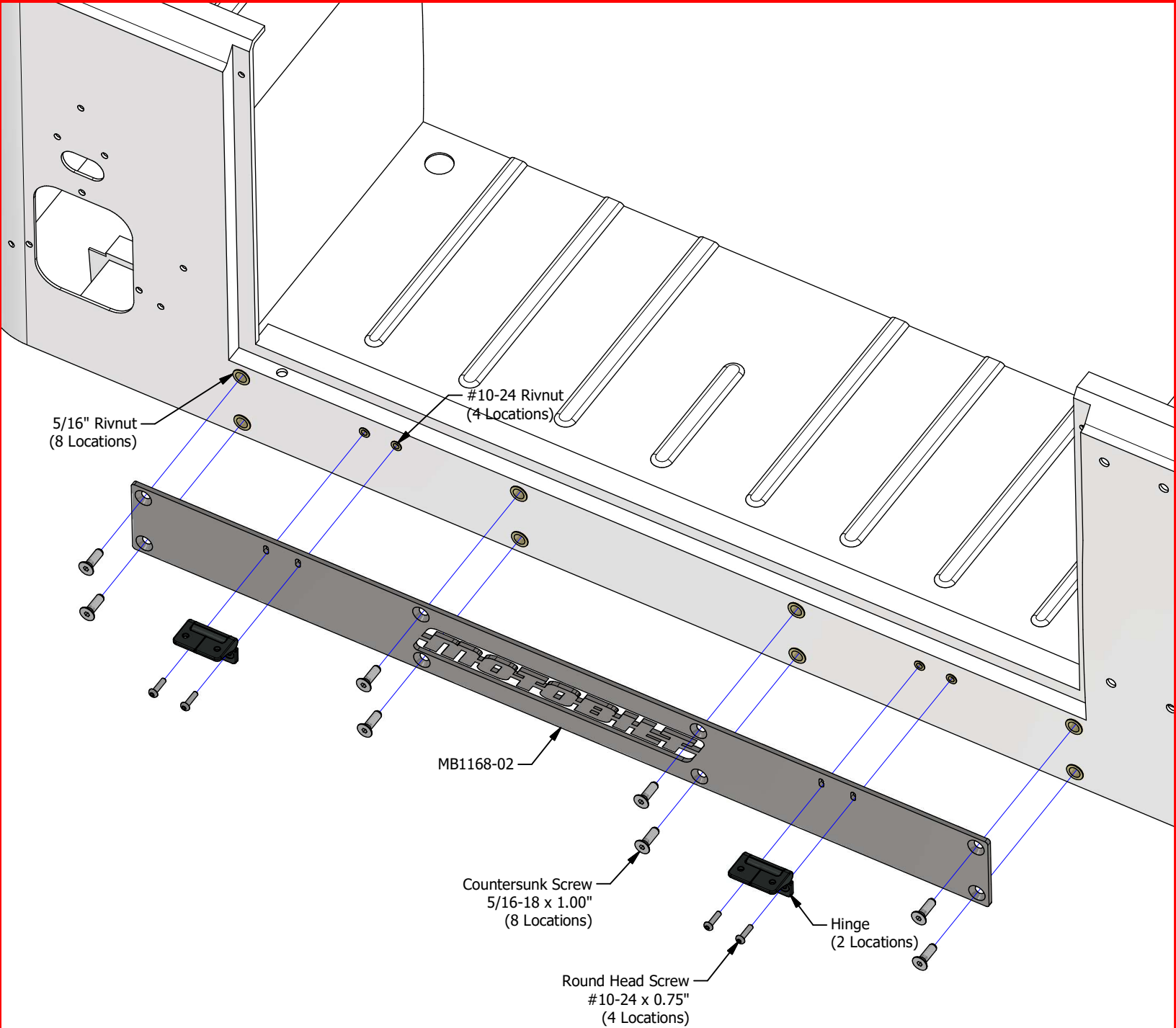
Mark all hole & slot center locations. Remove MB1168-02.
Drill larger holes using 17/32" drill bit (8 Locations).
Drill small holes using 9/32" drill bit (4 Locations).
Install 5/16" Rivnuts in large holes.
Install #10-24 Rivnuts in small holes.

Small Holes

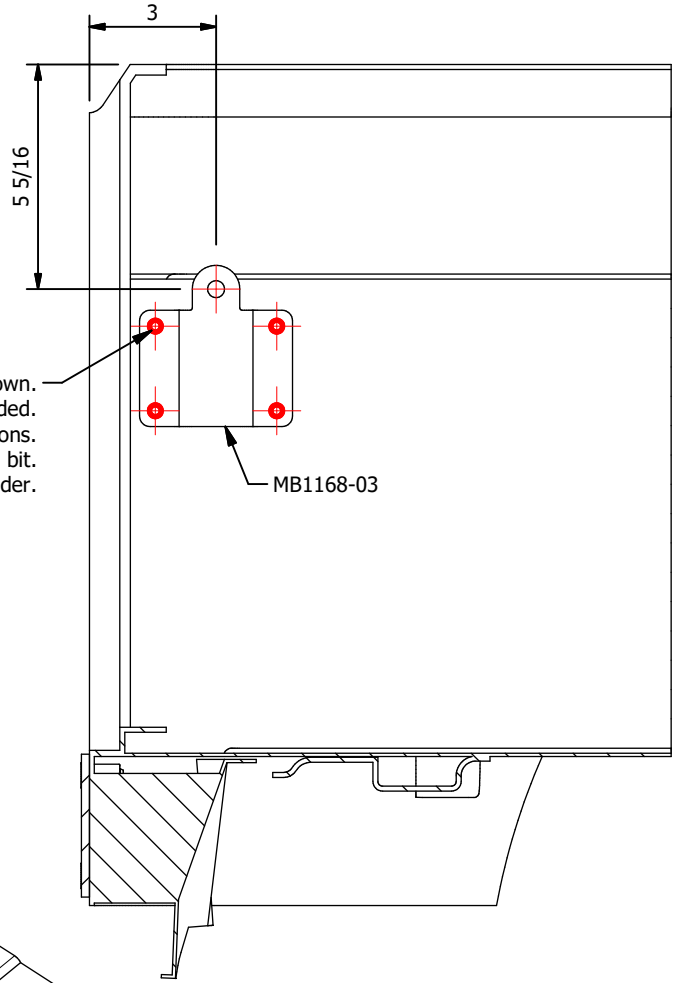
Small Holes



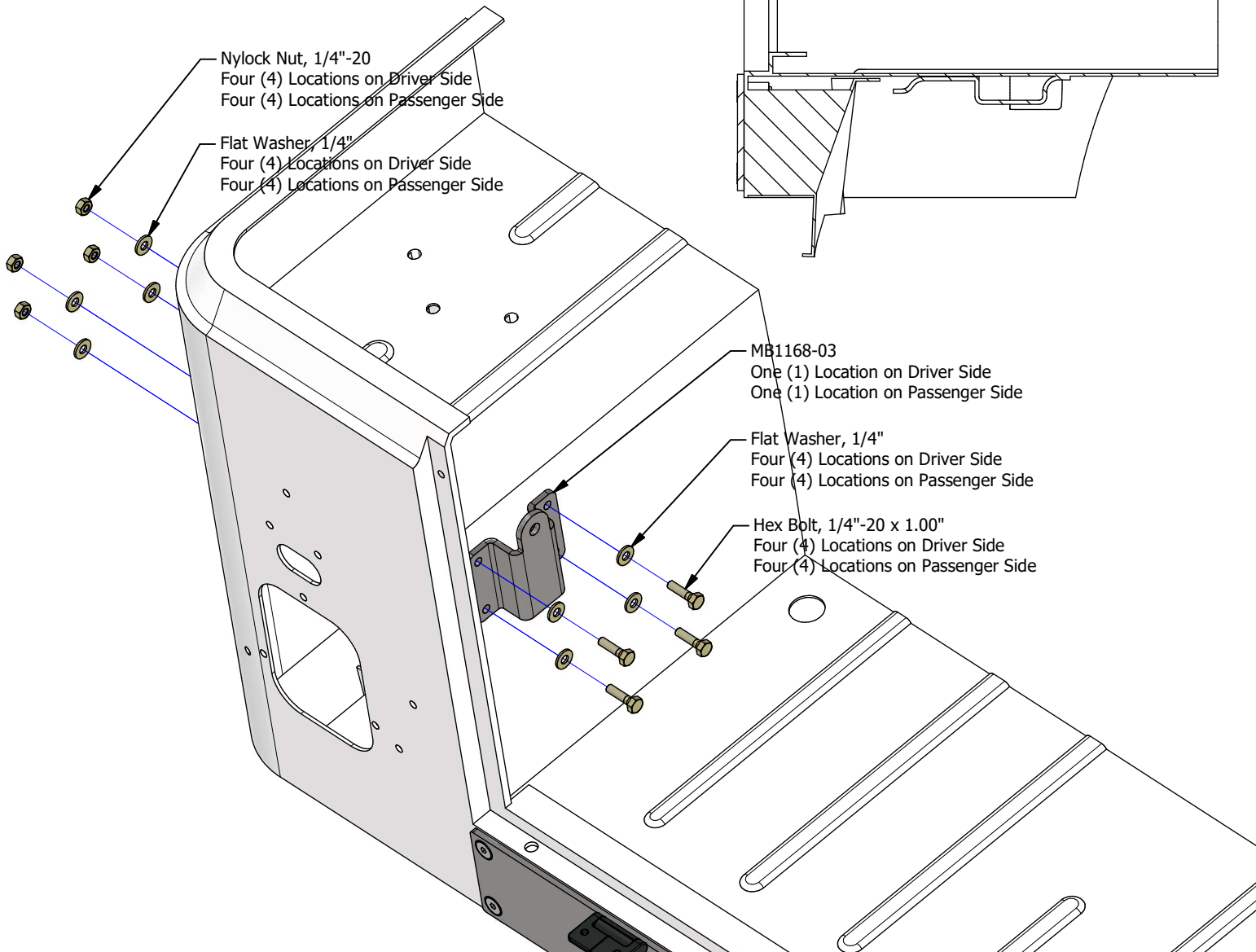
MB1168 - Installation CJ/YJ/TJ/LJ Aluminum Fold Down Tailgate



MB1168 - Installation CJ/YJ/TJ/LJ Aluminum Fold Down Tailgate



Driver Side shown.
Position MB1168-03 using dimensions provided.
Mark four (4) hole locations.
Drill holes using 1/4" drill bit.
Repeat on Passenger Side inner fender.



Nylock Nut, 1/4"-20
Four (4) Locations on Driver Side
Four (4) Locations on Passenger Side

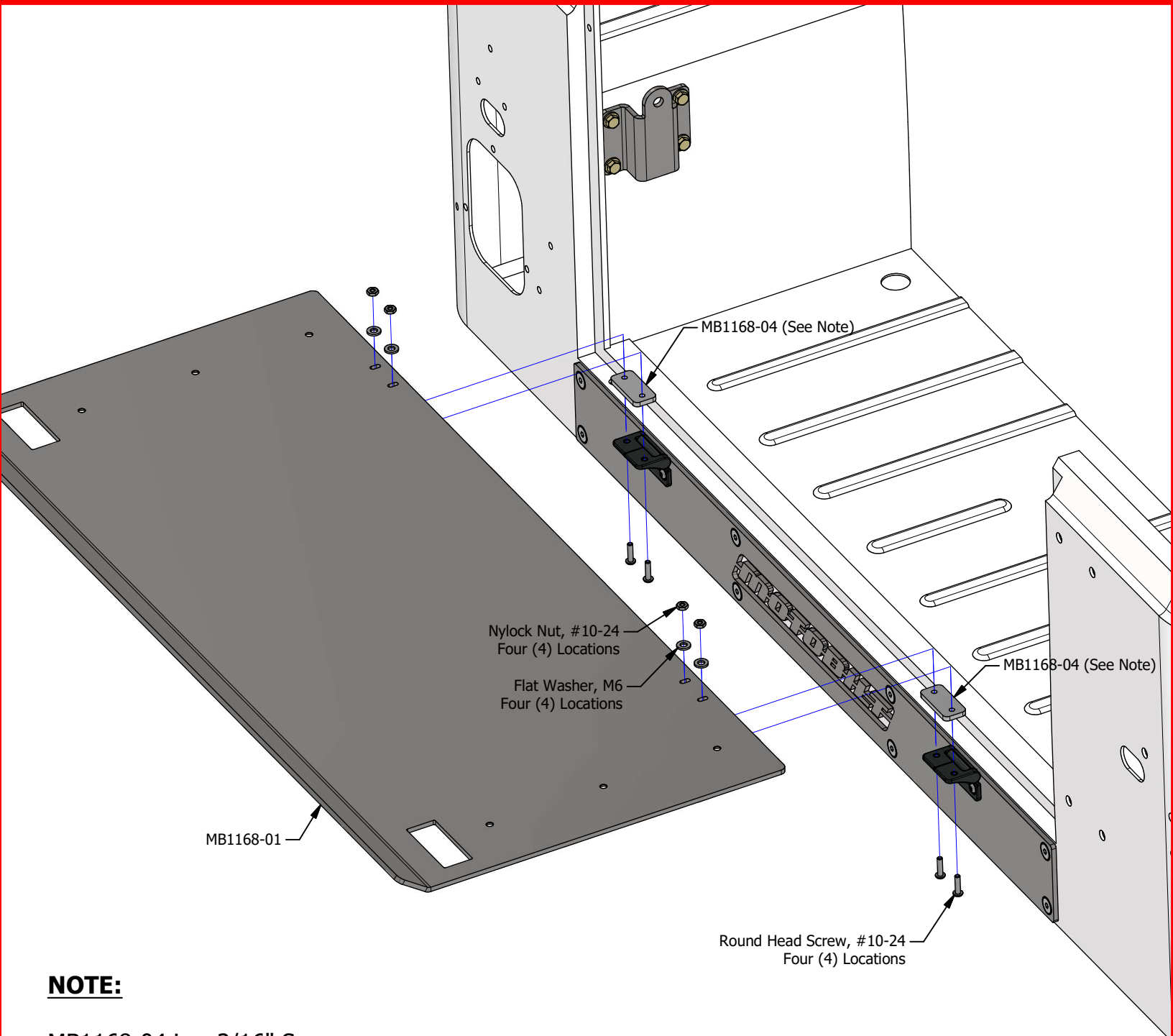
Flat Washer, 1/4"
Four (4) Locations on Driver Side
Four (4) Locations on Passenger Side

MB1168-03
One (1) Location on Driver Side
One (1) Location on Passenger Side

Flat Washer, 1/4"
Four (4) Locations on Driver Side
Four (4) Locations on Passenger Side

Hex Bolt, 1/4"-20 x 1.00"
Four (4) Locations on Driver Side
Four (4) Locations on Passenger Side

MB1168 - Installation CJ/YJ/TJ/LJ Aluminum Fold Down Tailgate



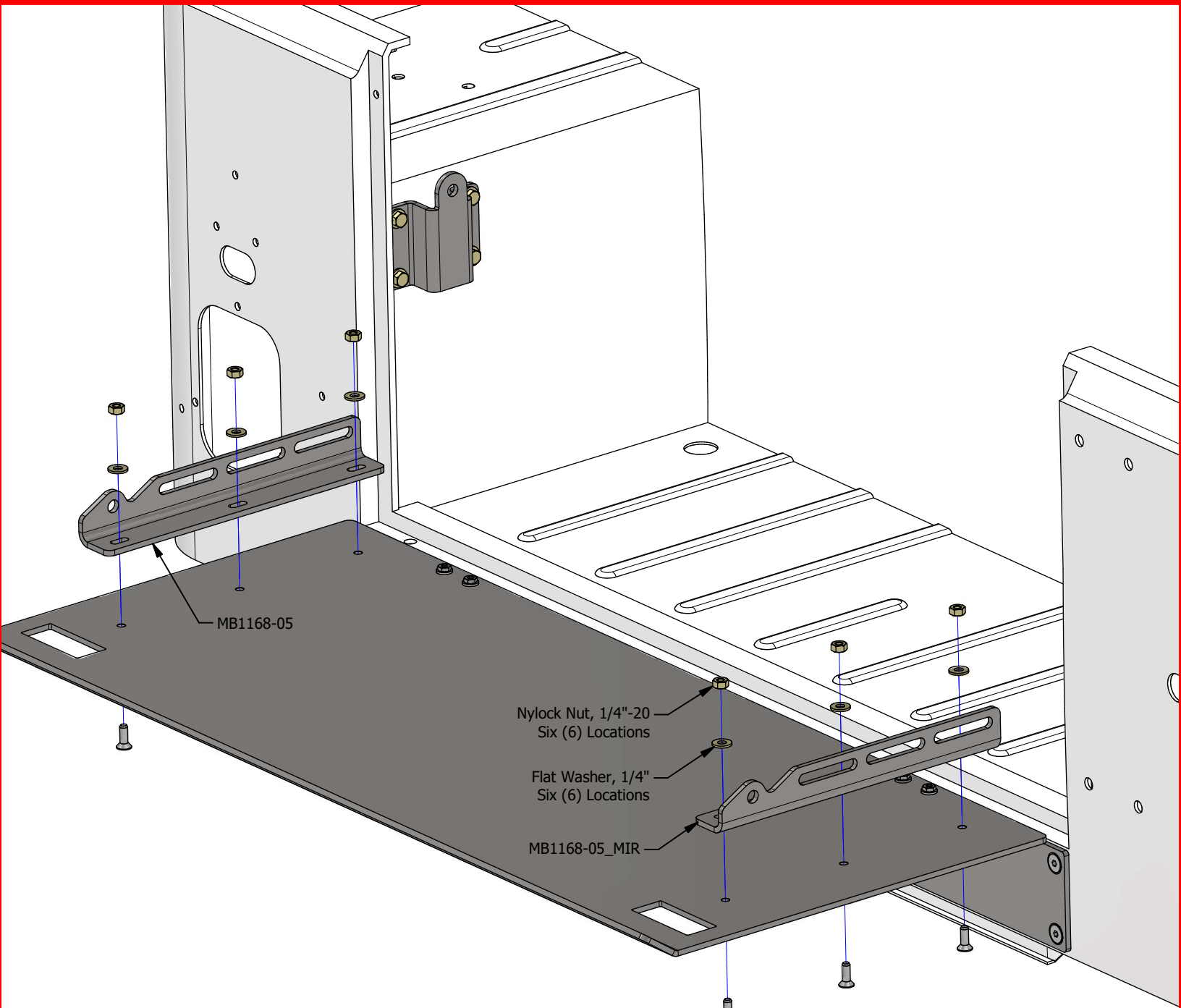
NOTE:

MB1168-04 is a 3/16" Spacer.

If you are **NOT using 3/16" thick Corner Armor** (sold separately) on your vehicle, then you will want to **use this spacer** to make the new tailgate flush with the outside of the factory body sheet metal.

If you **ARE using 3/16" thick Corner Armor**, then you will **NOT use this spacer**. This will make the tailgate flush with the outside face of 3/16"thick Corner Armor.

MB1168 - Installation CJ/YJ/TJ/LJ Aluminum Fold Down Tailgate



MB1168-05

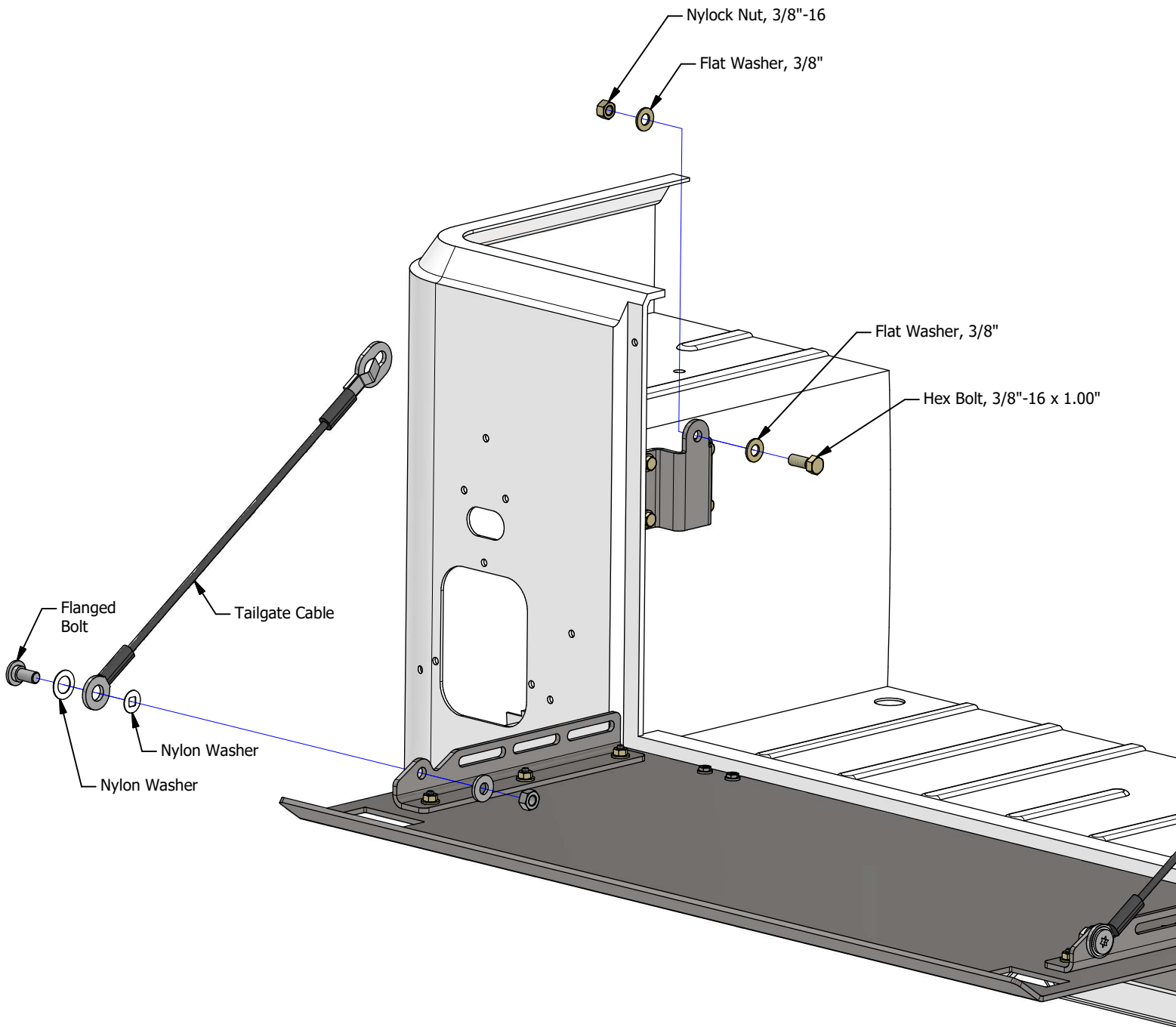
Nylock Nut, 1/4"-20
Six (6) Locations

Flat Washer, 1/4"
Six (6) Locations

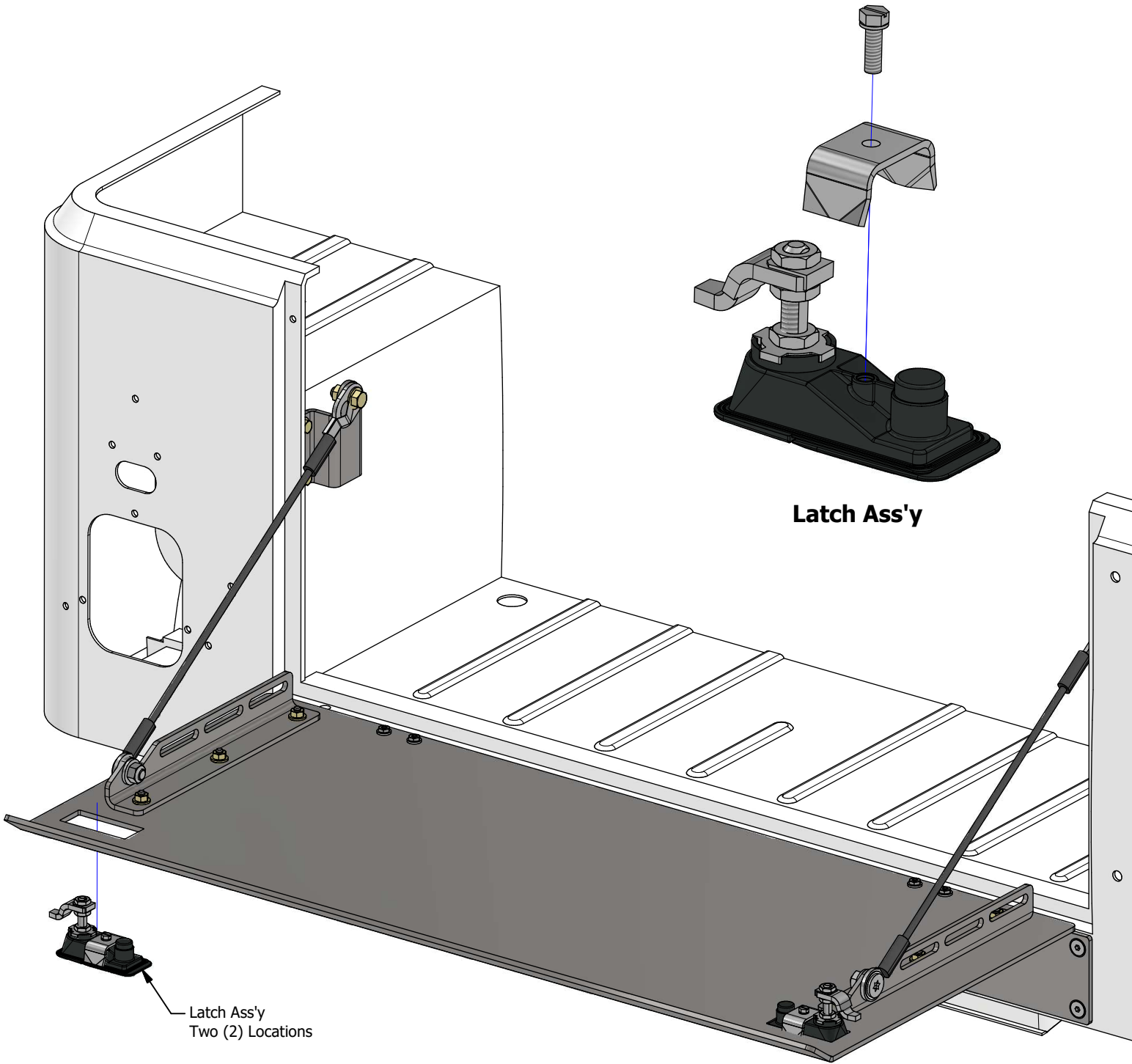
MB1168-05_MIR

Countersunk Screw, 1/4"-20 x 0.75"
Six (6) Locations

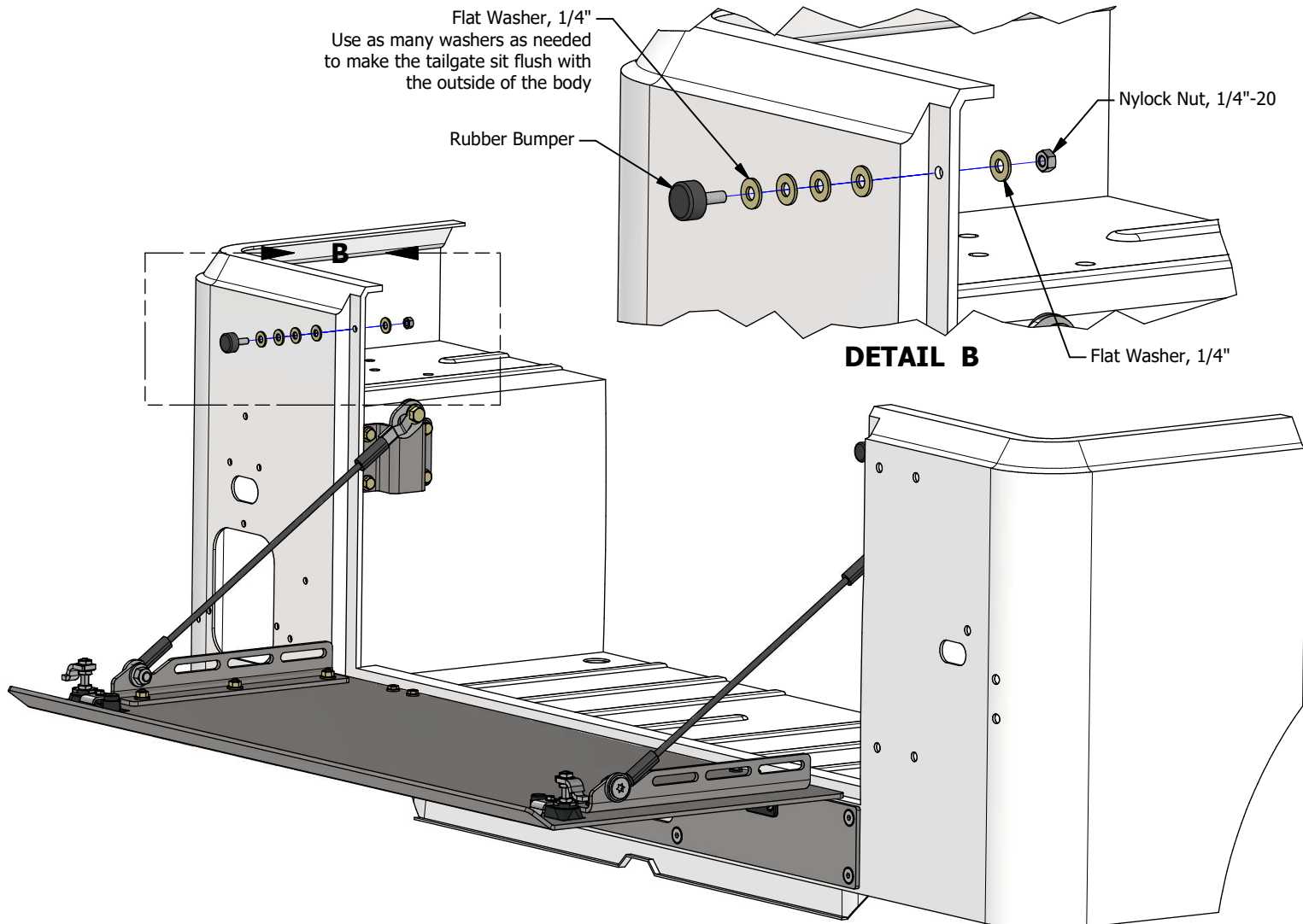
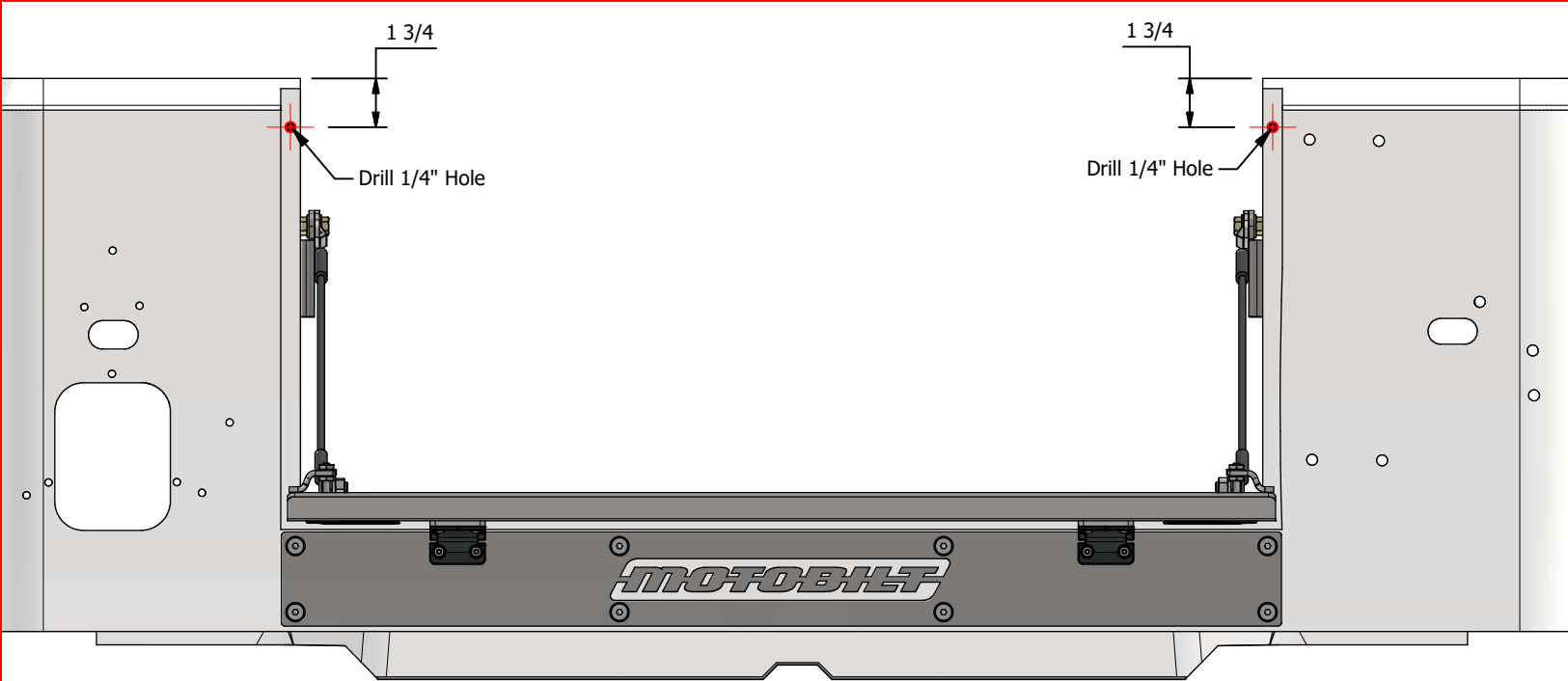
MB1168 - Installation CJ/YJ/TJ/LJ Aluminum Fold Down Tailgate



MB1168 - Installation CJ/YJ/TJ/LJ Aluminum Fold Down Tailgate



MB1168 - Installation CJ/YJ/TJ/LJ Aluminum Fold Down Tailgate



MB1168 - Installation CJ/YJ/TJ/LJ Aluminum Fold Down Tailgate

