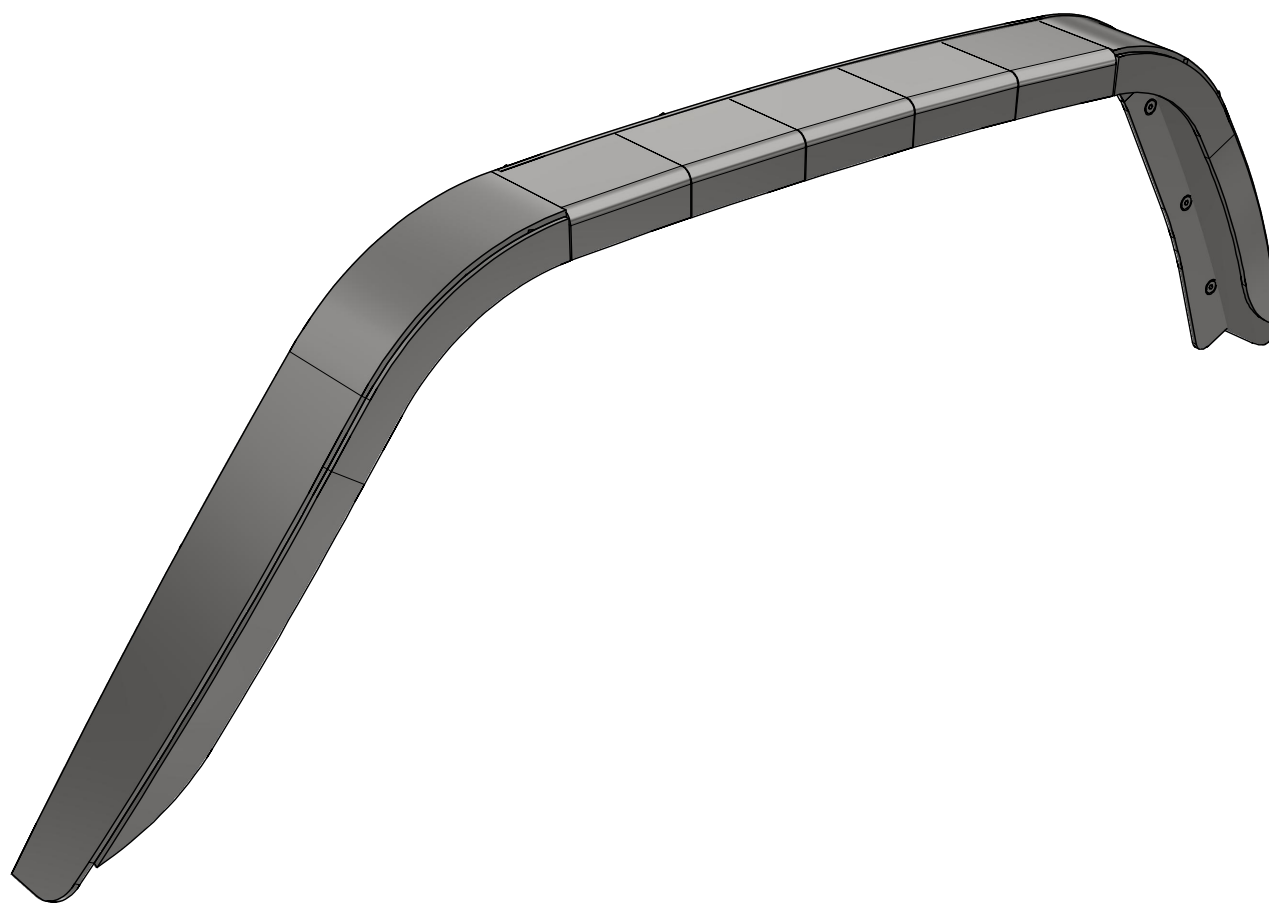
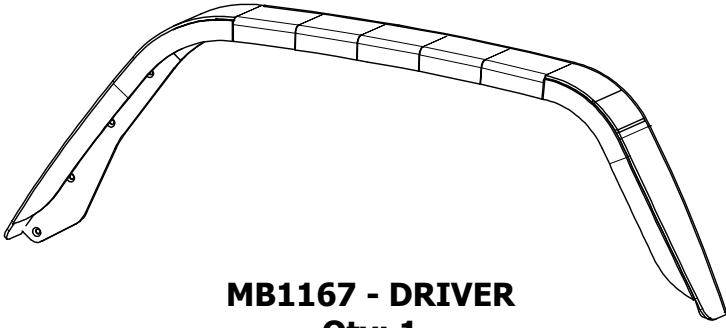


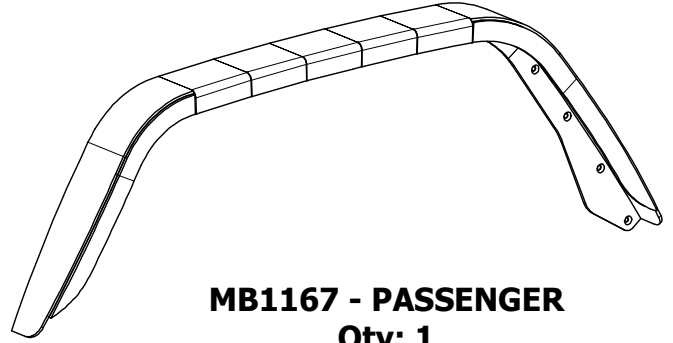
GLADIATOR REAR FENDER FLARES



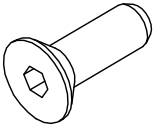
ASSEMBLY INSTRUCTIONS

MB1167 - Install Instructions Rear Fender Flares JT**KIT COMPONENTS**

MB1167 - DRIVER
Qty: 1



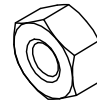
MB1167 - PASSENGER
Qty: 1



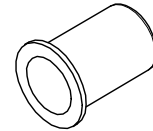
COUNTER SUNK BOLT
1/4"-20 x 3/4"
Qty: 26



FLAT WASHER
1/4"
Qty: 24



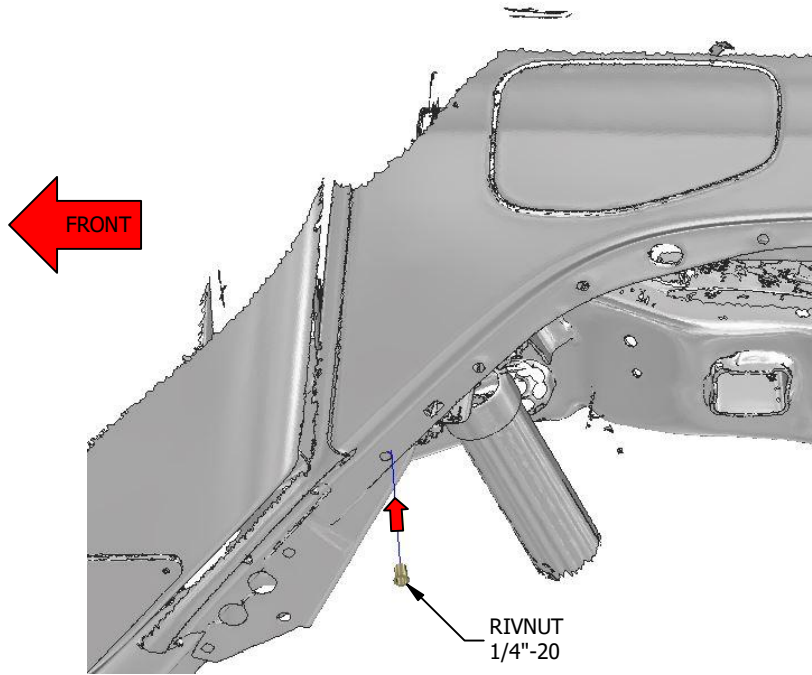
NYLOCK NUT
1/4"-20
Qty: 24



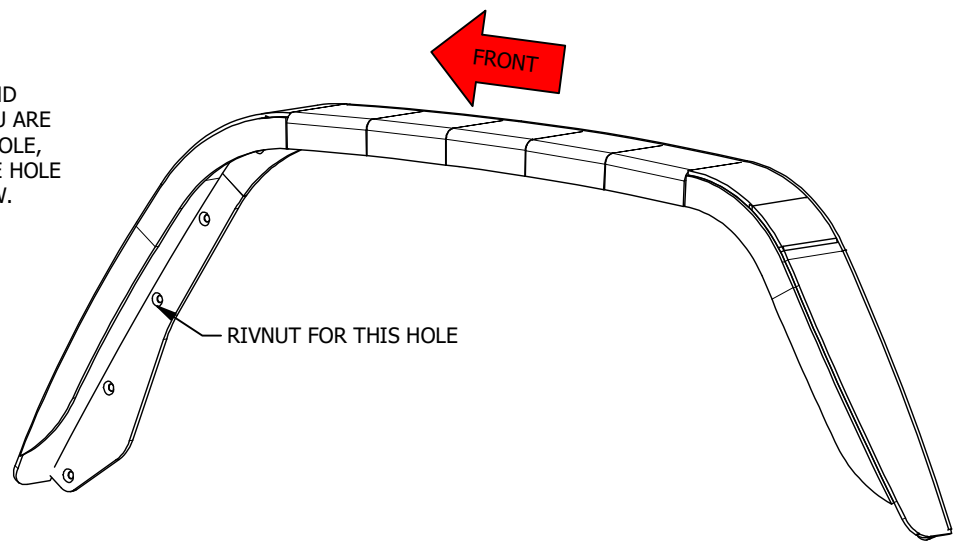
RIVNUT
1/4"-20
Qty: 2

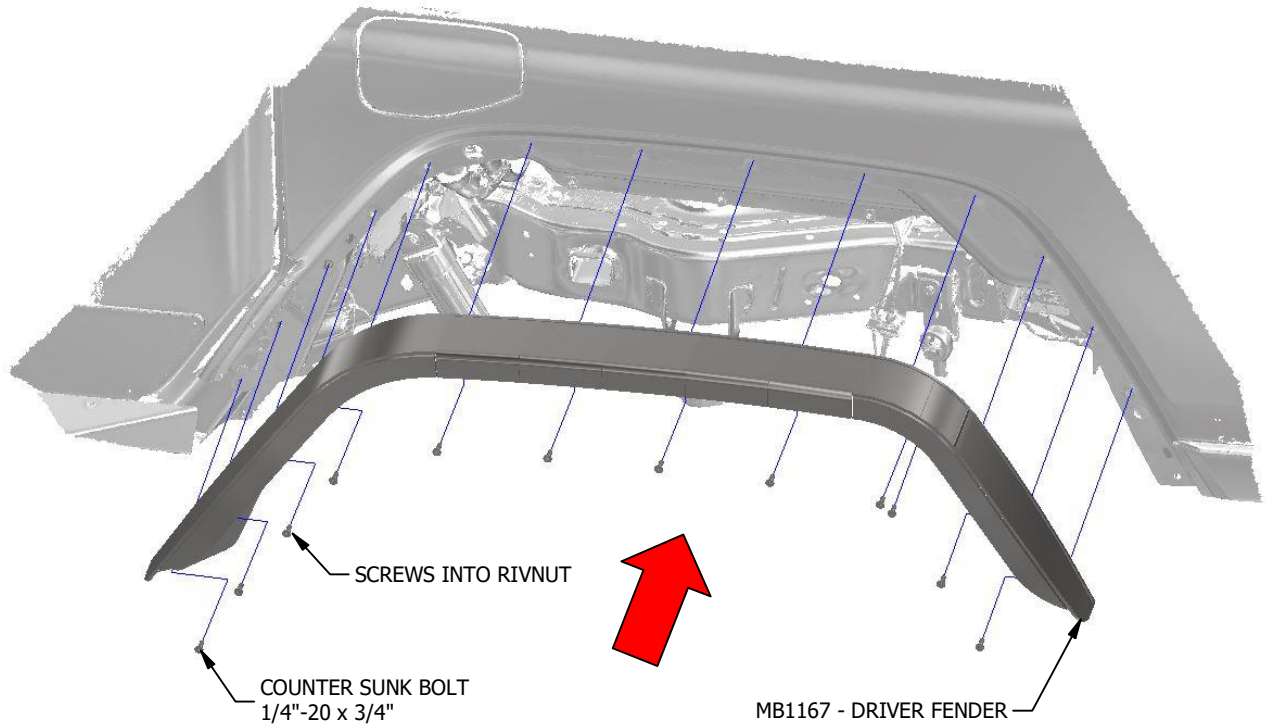
MB1167 - Install Instructions Rear Fender Flares JT**RIVNUT INSTALLATION**

REMOVE THE FACTORY FENDER FLARE AND THE
HARDWARE ATTACHING IT TO THE BODY

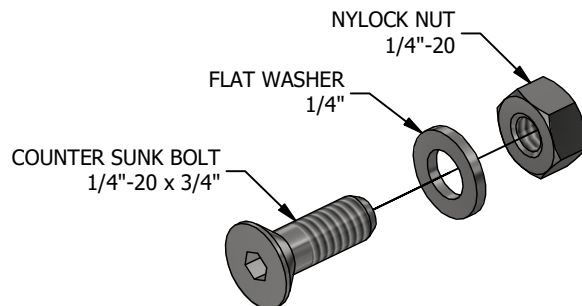


INSTALL A 1/4" RIVNUT ON THE DRIVER AND
PASSENGER SIDE IN THE HOLE SHOWN. IF YOU ARE
HAVING TROUBLE LOCATING THE CORRECT HOLE,
ALIGN THE FENDER TO THE BODY AND USE THE HOLE
THAT'S SPECIFIED IN THE DRAWING BELOW.



MB1167 - Install Instructions Rear Fender Flares JT**FENDER FLARE INSTALLATION**

USING THE 1/4" COUNTER SUNK BOLTS, FASTEN
THE FENDER FLARE THROUGH THE JEEP BODY
TO THE 1/4" WASHER AND NYLOCK NUT



MB1167 - Install Instructions Rear Fender Flares JT

FENDER FLARE INSTALLATION (WITH MOTOBILT INNER FENDERS)

